

---

Thank you for choosing SAIC MAXUS Automotive Co.,Ltd. May our products and services bring fresh joy to your life!

Please take time to read and understand this Handbook and other publications supplied with it. Thus you can familiarize yourself with the vehicle and enjoy a driving experience with comfort, safety as well as economy.

This Driver's Handbook will provide you with the information necessary for getting familiar with your vehicle, including how to drive the vehicle, how to carry out routine maintenance checks, and what to do in an emergency.

This Handbook contains the latest information upon the time of printing and all modifications, interpretations and explanations should be reserved by the company. Based on the consideration that the products will be upgraded or in any other way(s) modified constantly, the company reserves the right to apply these changes mentioned here before without notice when the Handbook has been hereby printed and published and will accept no liability.

This Handbook is an indispensable part of the vehicle. If you want to sell the vehicle, please remember to provide the new owner with this Handbook.

## **Special Announcement**

Driver's Handbook and Warranty & Service Handbook specify the agreement between the company and the user on establishment and termination of rights and obligations concerning the quality warranty and after-sales service of product. Please be sure to read the Driver's Handbook and Warranty & Service Handbook carefully before using the product. If any damage is caused by misuse, neglect, incorrect operation or unauthorized refit, the user will have no right of claim, and any warranty request will be refused by SAIC MAXUS Automotive Co.,Ltd Service Dealer(hereinafter referred to as "Service Dealer").

Unauthorized re-production of this Handbook, whether electrically, physically or in any other way, and/or storing the Handbook in any inquiry system of any form or type shall not be permitted.

Wish you a pleasant driving!

SAIC MAXUS Automotive Co.,Ltd. Address: #2500, Jun Gong Road, Yang Pu District, Shanghai Postcode: 200438

SAIC MAXUS Automotive Co.,Ltd reserves the final right to interpret this Handbook

---



# Contents

<b>Perface</b> .....	<b>1</b>	Headrest.....	19
<b>Introduction</b> .....	<b>1</b>	<b>Passenger restraint system</b> .....	<b>20</b>
About this handbook.....	1	Sitting correctly.....	20
<b>Precautions</b> .....	<b>2</b>	Seat belts.....	20
Dangerous substances.....	2	Seat belt pretensioner.....	25
Children / Animals.....	2	Airbag(s).....	25
Personal safety.....	2	Child restraints (not supplied with the vehicle).....	34
<b>Vehicle identification</b> .....	<b>3</b>	<b>Instruments and controls</b> .....	<b>36</b>
Vehicle identification number (VIN).....	3	<b>Instrument cluster</b> .....	<b>38</b>
Engine number.....	3	Tachometer.....	38
VIN plate.....	4	Speedometer.....	38
<b>1 Before You Drive</b> .....	<b>5</b>	Fuel gauge.....	38
<b>Keys</b> .....	<b>6</b>	Engine coolant temperature gauge.....	38
Remote key with PEPS.....	6	<b>Message center</b> .....	<b>39</b>
Extension/retraction of mechanical key portion of the remote key ("mechanical key portion" for short).....	6	Function and operation.....	39
Replace the battery in the remote key with PEPS.....	7	Alarm prompt information.....	41
<b>Door locks</b> .....	<b>8</b>	Fatigue driving monitoring and reminder.....	42
To protect your vehicle against theft.....	8	Tire pressure monitoring system.....	42
Central door locking system.....	9	<b>Warning lights and indicators</b> .....	<b>43</b>
Tailgate.....	11	Direction indicator.....	43
Child safety lock.....	12	Headlamp high beam indicator.....	43
<b>Windows</b> .....	<b>13</b>	Position lamp indicator.....	43
Power windows.....	13	Rear fog light indicator.....	43
Power sunroof.....	15	Airbag warning light.....	43
<b>Seats</b> .....	<b>15</b>	Seat belt warning light.....	43
Driver's seat adjustment.....	15	Engine immobilizer warning light.....	44
Front passenger seat adjustment.....	17	Engine coolant temperature warning light.....	45
Rear occupant seat adjustment.....	18	Low fuel warning light.....	45
		Oil pressure warning light.....	45
		Glow plug indicator.....	45

# Contents

Fuel filter water level warning light .....	45	SPORT indicator .....	52
Urea warning light .....	46	Trailer indicator.....	52
DPF (Diesel Particulate Filter) warning light.....	46	<b>Exterior lamp switch .....</b>	<b>52</b>
Emission MIL.....	46	Combination lamp control switch.....	52
Engine malfunction warning light .....	47	Hazard warning lamp switch .....	54
Transmission malfunction warning light .....	47	<b>Dashboard switch .....</b>	<b>54</b>
ABS (Anti-lock Braking System) warning light.....	47	Headlamp leveling switch.....	54
Brake system warning light .....	47	Auto hold switch .....	55
EBD (Electronic Brake Distribution) warning light .....	47	SOS alarm switch.....	56
ESC (Electronic Stability Control) indicator .....	47	<b>Auxiliary fascia console switch .....</b>	<b>56</b>
ESC (Electronic Stability Control) OFF indicator.....	48	Part-time 4WD switch .....	56
HDC (Hill Descent Control) indicator.....	48	Real-time 4WD switch .....	57
EPB (Electrical Parking Brake) indicator .....	48	EPB (electrical parking brake) switch.....	58
EPB (Electrical Parking Brake) malfunction warning light.....	48	<b>Switches on steering column and steering wheel .....</b>	<b>59</b>
Auto hold indicator.....	48	Combination lamp control and direction indicator lamp stalk switch.....	60
EPS (Electric Power Steering) system malfunction warning light	49	Wiper and washer stalk switch .....	63
4WD malfunction warning light.....	49	Wiper and washer, high beam, turn signal lamp lever switch.....	65
Battery charging indicator.....	49	Instrument cluster selection and cruise switch .....	67
TPMS warning light .....	49	Voice control, bluetooth phone, steering wheel heating and custom settings switch .....	69
Cruise control indicator.....	50	Manual shift paddle .....	71
FCW (Forward Collision Warning)/AEB (Automatic Emergency Braking) warning light .....	50	<b>Steering wheel adjustment .....</b>	<b>71</b>
LDW (Lane Departure Warning)/LKA (Lane Keep Assist) warning light .....	50	<b>Horn .....</b>	<b>72</b>
ACC (Adaptive cruise control) indicator .....	50	<b>Heating, ventilation and air conditioning (HVAC).....</b>	<b>72</b>
ICA (Integrated Cruise Assist) indicators .....	51	Front vents .....	73
SLIF (Speed Limit Information Function) indicator .....	51	Rear vents.....	74
ISA (Intelligent Speed Limit Assist) indicator.....	51	A/C control button.....	75
IHC (Intelligent High Beam Control) indicator .....	51	A/C operation and display interfaces on entertainment system screen .....	76
Normal indicator .....	51		
ECO indicator .....	51		



# Contents

Air conditioning operating tips .....	79	Starting .....	100
<b>Rearview mirrors .....</b>	<b>80</b>	Warm-up .....	101
Exterior rearview mirrors .....	80	Self-protection mode .....	101
Interior rearview mirrors .....	82	Stopping .....	101
<b>Interior equipment .....</b>	<b>83</b>	<b>Driving .....</b>	<b>101</b>
Front roof vanity light .....	83	"Running-in" of new vehicle .....	101
Rear roof vanity light .....	84	Driving .....	102
12V power socket .....	84	<b>Catalytic converter .....</b>	<b>103</b>
USB port .....	85	Precautions for Use of DPF (Diesel Particulate Filter) .....	104
Wireless charging system for mobile phone .....	87	Regeneration steps for high load driving .....	107
Storage box .....	88	Special driving conditions .....	107
Glove box .....	89	<b>Fuel .....</b>	<b>108</b>
Sun visor and vanity mirror .....	90	Fuel filler cap .....	108
Vehicle tools .....	90	Refueling .....	108
<b>Entertainment system .....</b>	<b>91</b>	Saving fuel .....	109
<b>2 Starting and Driving .....</b>	<b>93</b>	Precautions for cold weather .....	109
<b>Before starting and driving .....</b>	<b>94</b>	Fuel hose .....	110
<b>Ignition switch .....</b>	<b>94</b>	<b>Urea .....</b>	<b>110</b>
Keyless start .....	94	Urea filling .....	110
<b>PEPS system .....</b>	<b>96</b>	<b>Manual transmission .....</b>	<b>111</b>
Keyless unlocking .....	96	Gear shifting .....	111
Keyless locking .....	96	<b>8AT automatic transmission .....</b>	<b>112</b>
Keyless start .....	97	Gear position .....	112
Backup starting .....	98	Shifting operation .....	113
Emergency flameout .....	98	Auto Park (automatically return to P gear) function .....	117
<b>Engine immobilizer .....</b>	<b>99</b>	Manually release P gear lock (Towing mode) .....	117
Keys .....	99	<b>Power steering unit .....</b>	<b>118</b>
Enable/disable .....	99	<b>Four-Wheel Drive (4WD) .....</b>	<b>118</b>
<b>Starting/stopping the engine .....</b>	<b>100</b>	Part-time 4WD system .....	118

# Contents

---

Real-time 4WD system.....	121	Winter tires .....	159
<b>Brake system .....</b>	<b>123</b>	Anti-skid chain .....	160
Service brake .....	123	<b>Loading .....</b>	<b>160</b>
ABS (Anti-lock Braking System).....	125	Load carrying.....	160
ESC (Electronic Stability Control).....	126	Load restraint .....	160
EPB (Electrical Parking Brake).....	129	Hazardous loads .....	161
Auto hold .....	131	Roof Rack and Load Device.....	161
Warning lights.....	132	Roll cage for passenger cars.....	162
<b>Cruise control system .....</b>	<b>133</b>	<b>Trailer towing .....</b>	<b>162</b>
Cruise control settings.....	133	Instructions of trailer towing.....	162
Terminating cruise control .....	134	Trailer control module.....	165
Clearing speed memory .....	135	Recommended towing weight .....	166
<b>Parking assist system .....</b>	<b>135</b>	Installation of trailer device.....	166
Parking sensor .....	135	Maintenance.....	167
Front and rear sensors.....	137	<b>3 Emergency Troubleshooting .....</b>	<b>169</b>
Parking camera .....	138	<b>Hazard warning lamp .....</b>	<b>170</b>
360° Around-view System.....	139	<b>Warning triangle .....</b>	<b>170</b>
<b>Driver assistance system .....</b>	<b>140</b>	<b>Wheel replacement .....</b>	<b>171</b>
Camera.....	140	Jack .....	171
Radar.....	141	Spare tire.....	171
FCW and AEB (Forward collision assist) .....	142	Replacing tire .....	173
LDW (Lane Departure Warning).....	145	<b>Towing a vehicle .....</b>	<b>176</b>
LKA (Lane Keeping Assist) .....	146	Towing hitch.....	176
ACC (Adaptive Cruise Control) .....	148	Towing .....	177
ICA (Integrated Cruise Assist).....	151	<b>Draining fuel filter .....</b>	<b>177</b>
SLIF (Speed Limit Information Function).....	154	<b>Jump start.....</b>	<b>178</b>
ISA (Intelligent Speed Assistance).....	155	Battery disconnection .....	178
IHC (Intelligent High beam Control) .....	157	Jump start.....	179
<b>Tires .....</b>	<b>158</b>	<b>Fuse replacement .....</b>	<b>180</b>

# Contents

Driver compartment fuse box .....	180	Adjustment and cleaning .....	201
Front compartment fuse box .....	182	<b>Wiper blades .....</b>	<b>201</b>
Battery fuse box .....	186	Check .....	201
Fuse replacement.....	187	Replacement .....	202
<b>Bulb replacement.....</b>	<b>187</b>	Maintenance and service .....	202
Bulb specification .....	188	<b>Seat belts .....</b>	<b>202</b>
Bulb replacement .....	188	Check .....	202
<b>4 Maintenance and Service.....</b>	<b>191</b>	Maintenance and service .....	203
<b>Safety .....</b>	<b>192</b>	<b>Battery .....</b>	<b>203</b>
<b>Regular maintenance.....</b>	<b>193</b>	Duration of storing the vehicle.....	204
<b>Owner's check .....</b>	<b>193</b>	Operating in winter .....	205
Daily checks .....	193	Charging the battery with ground equipment .....	205
Weekly checks or check before a long journey .....	194	Removing the battery .....	206
Harsh conditions.....	194	Replacing the battery .....	206
<b>Engine hood.....</b>	<b>194</b>	Installing the battery .....	206
Open engine hood.....	194	<b>Tires .....</b>	<b>207</b>
Close engine hood .....	195	Tire pressure .....	207
<b>Engine compartment .....</b>	<b>195</b>	Wear indicator .....	208
<b>Engine oil.....</b>	<b>196</b>	Tire check and rotation.....	208
Check and refill.....	196	<b>Other maintenance .....</b>	<b>209</b>
Engine oil consumption .....	197	Vehicle wash .....	209
<b>Coolant .....</b>	<b>197</b>	Engine carbon deposit cleaning .....	210
Check and refill.....	198	Anti-corrosion of underbody .....	210
<b>Brake fluid.....</b>	<b>199</b>	Seat and trim.....	210
Check and refill.....	200	Door seals .....	210
<b>Washer fluid.....</b>	<b>200</b>	Window glass .....	210
Check and refill.....	200	<b>5 General Technical Parameters .....</b>	<b>211</b>
<b>Washer nozzle.....</b>	<b>201</b>	<b>Major vehicle dimension parameters .....</b>	<b>212</b>
		<b>Vehicle weight parameters .....</b>	<b>213</b>

# Contents

---

Vehicle performance parameters.....	214
Main engine parameters .....	215
Chassis technical parameters .....	216
Recommended fluids.....	217
Wheel and tire .....	218
Wheel alignment parameters.....	219

# Preface

## Introduction

### About this handbook

This Handbook applies to T60 series multi-purpose truck.

#### Caution

The information contained in this Handbook is designed to cover more than one model option and variant, and therefore some of the items mentioned here may not apply to your vehicle.

The applicable executive enterprise standard is Q31/0110000019C034.

The drawings contained in this Handbook are illustrations for references only.

### Indicative information

#### Warning



**This symbol indicates that: In order to avoid the possibility of personal injury or injury to others, relevant procedures must be followed strictly and precisely.**

#### Caution

#### Caution

Relevant procedures must be followed to avoid the possibility of vehicle damage.

#### Note

**Note: This is suggestive description which is useful for you.**

#### Environmental protection



**Everyone is obliged to protect the environment. This symbol intends to remind you to pay attention to environmental protection.**

#### Arrows



It represents the described object.



It represents its direction of motion.

#### See


The contents are referred by the "Section" title.

# Preface

---


## Precautions

### Dangerous substances

 Many liquids and other substances used in motor vehicles are poisonous and should under no circumstances be consumed and should, so far as possible, be kept away from open wounds. These substances among others include battery acid, coolant, brake fluid, fuel, washer fluid, lubricants, refrigerant and various adhesives. Always read carefully the instructions printed on the labels or stamped on components and obey them implicitly. These instructions are for the sake of your health and personal safety. Please treat them with prudence.


For your safety, observe instructions contained in this Handbook.

### Children / Animals

 Accidents and injury may be caused by unsupervised children or animals operating controls and switches fitted to your vehicle, or playing with equipment or goods being transported in it.

In order to prevent the accident or personal injury caused by a child or animal, do not leave the child or animal in the vehicle without adult supervision. Also they can become suffocated in hot weather conditions.

### Personal safety

 Seat belts are fitted to all seats in your vehicle to reduce the possibility of personal injury in the event of an accident. It is required that all passengers wear a seat belt. In addition, your vehicle has been installed with supplementary restraint system (SRS) comprising an airbag and a seat belt pre-tensioner, providing extra protection for the driver and front passenger.

See "Occupant restraint system" in Before You Drive section. Mishandling of an airbag may cause personal injury.

## Vehicle identification

When communicating with Our Service Dealer, you should provide the vehicle identification number (VIN).

The engine number may also be required if the engine is involved during communication.

## Vehicle identification number (VIN)

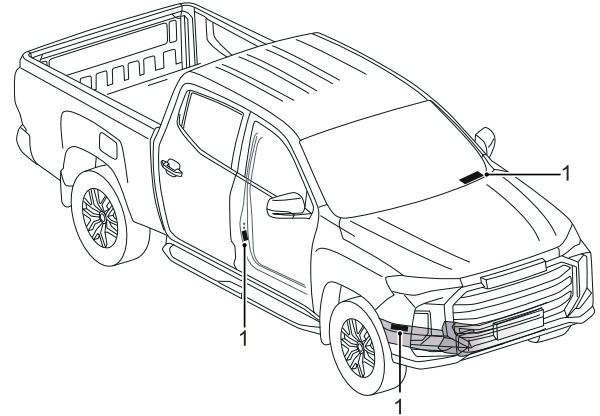
Vehicle identification number (VIN) on the vehicle:

- On the right front girder of vehicle (seal position).
- On the VIN plate on the right B pillar.
- On the windshield lower cross member at the left lower corner of the windshield through where the VIN can be seen easily.

This vehicle is equipped with an OBD data link connector, which is located at the lower side of the left instrument cluster. You can contact Our Service Dealer to read VIN information from the electronic control unit of the vehicle with the special device from our company.

## Engine number

Vehicle with diesel engine: The engine number is printed on the front part of cylinder block.



1 Vehicle identification number (VIN)

# Preface

---

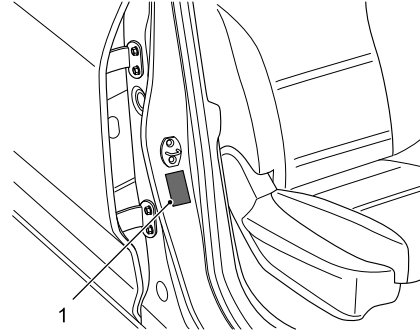
## VIN plate

VIN plate may contain the following information, please refer to the actual vehicle.

- VIN
- Brand
- Model
- Engine model
- Maximum engine net power
- Engine displacement
- Maximum allowable total mass
- Curb mass
- Built date
- Name of production plant
- Country of manufacture

## Location of VIN plate

VIN plate (1) is located at front lower side of right B pillar.





## Before You Drive

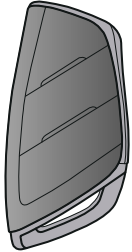
---

- 6 Keys
  - 8 Door locks
  - 13 Windows
  - 15 Seats
  - 20 Passenger restraint system
  - 36 Instruments and controls
  - 38 Instrument cluster
  - 39 Message center
  - 43 Warning lights and indicators
  - 52 Exterior lamp switch
  - 54 Dashboard switch
  - 56 Auxiliary fascia console switch
  - 59 Switches on steering column and steering wheel
  - 71 Steering wheel adjustment
  - 72 Horn
  - 72 Heating, ventilation and air conditioning (HVAC)
  - 80 Rearview mirrors
  - 83 Interior equipment
  - 91 Entertainment system
-

# Before You Drive

## Keys

The vehicle is equipped with 2 remote keys with passive entry passive start system (hereinafter referred to as PEPS).



**Note:** *If a key is lost, you must provide the key number on the metal or plastic plate attached with the key, and our service dealer will provide the replacement. To ensure safety, you are recommended to keep the metal or plastic plate attached with key properly.*

**Note:** *For the sake of safety, the key has been electronically coded with the immobilizer system and can be used with the system in the matching way only. Special procedures shall be followed to manufacture a same key with the lost one. Any uncoded key cannot start the vehicle but can lock/unlock doors.*

## Remote key with PEPS

The remote key is a control component of central door locking system of a vehicle, which can be used for locking/unlocking all doors.

**Note:** *The remote key has been electronically coded with the locking/unlocking system and can be used with the system in the matching way only. Special procedures shall be followed to manufacture a same remote key with the lost one. Our service dealer will be pleased to assist you.*

See "Central door locking system" in this section for more details about the remote key.

### Caution

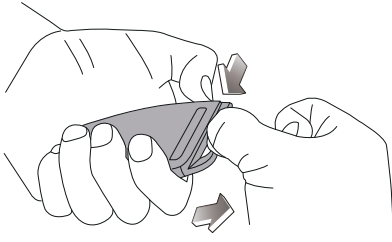
The immobilizer system can accept 4 coded keys at most (for remote keys with PEPS).

## Extension/retraction of mechanical key portion of the remote key ("mechanical key portion" for short)

Press the release button on the remote key with PEPS, and pull the mechanical key portion from the key body.

To retract the mechanical key portion, directly insert it into the body of remote key with PEPS.

## Before You Drive



### Replace the battery in the remote key with PEPS

**!** Batteries may present the risk of fire, explosion and burning. Never charge the battery. Properly dispose of the used battery. Keep the battery out of reach of children.

**!** **WARNING:** Do not ingest the battery, chemical Burn Hazard.

This product contains coin/button cell battery. If the coin/button cell battery is swallowed, it can cause severe internal burns in just 2 hours and can lead to death. Keep new and used batteries away from children. If the battery compartment does not close securely, stop using the product and keep it away from children. If you think batteries might have been swallowed or placed inside any part of the body, seek immediate medical attention.

### WARNING



To replace the battery, following procedures must be observed:

- 1 Press the release button on the remote key with PEPS.
- 2 Pull the mechanical key portion out of the key body.
- 3 Pry off the upper and lower panels of the body; the circuit board may fall off from the upper panel assembly when prying off the panels, just reinstall them.

#### Caution

Do not damage the circuit board when prying off the upper and lower panels.

- 4 Remove the used battery from the lower panel assembly and install a new one.

**Note:** *It is recommended to use a CR2032 battery.*

#### Caution

Pay attention to the positive and negative electrodes of battery.

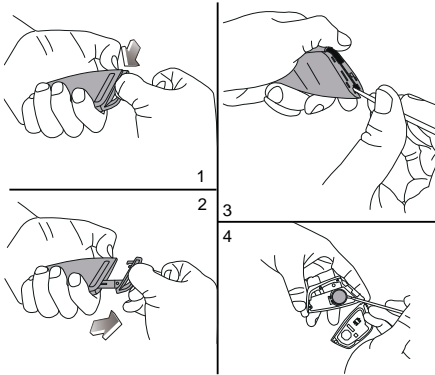
# Before You Drive

- 5 Refit the upper and lower panels of the battery body, and press their circumference to ensure they are clamped in place.

### Caution

Do not ignore the waterproof shim and circuit board onto the upper panel of the key body.

- 6 Press the mechanical key portion into the key body.



### Caution

It is complicated to replace the battery in the remote key with PEPS. In order to prevent the key from being damaged due to misassembly or misoperation, you are recommended to have the battery replaced by our service dealer.

## Door locks

### To protect your vehicle against theft

**!** When leaving the vehicle with occupants inside, even briefly, always carry the key and power off the vehicle, particularly if children are left in the vehicle. They could otherwise start the vehicle or operate electrical equipment at the risk of causing an accident.

Close all windows before leaving the vehicle.

Ensure all doors and hood are fully closed before locking.

### Lock/unlock

You may lock/unlock all doors from outside by using the remote key with PEPS.

All doors can be locked/unlocked from the inside using central lock switch. All doors can be automatically locked according to the vehicle speed. See "Central door locking system" in this section.

**Note:** When all doors are successfully locked by using the remote key with PEPS, all turn signals will flash once, and the horn will sound once to indicate successful locking. When all doors are successfully unlocked with the remote key, all turn signals will flash twice to indicate successful unlocking.

# Before You Drive

## Central door locking system

### Using the mechanical key portion

All doors can be locked/unlocked by manually locking/unlocking the driver door using the mechanical key portion from the outside.

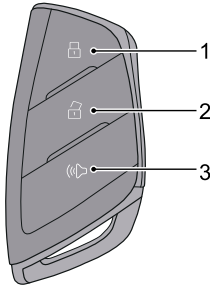
To lock, turn the mechanical key portion clockwise.

To unlock, turn the mechanical key portion counterclockwise.

### Using the remote key with PEPS

All doors can be locked/unlocked through the central door locking system using the buttons on the remote key with PEPS.

**Note:** All doors must be fully closed for the system to operate correctly.



1 Central locking button

2 Central unlocking button

3 Car locator button

### Caution

For vehicles with PEPS system, when locking with the LOCK button on the remote key with PEPS, if there is other legal remote key with PEPS in the vehicle, then the latter key will be disabled, and the passive entry and one touch start feature will be lost. To activate it: close all doors, operate the unlock button on the remote key with PEPS in a normal manner, the key shielded inside the vehicle will be activated.

### All doors locking

Press the button (1) to lock all doors, provided that all doors have been closed.

**Note:** All turn signal lamps flashing once represents the confirmation for locking; if any door is not fully closed, there will be no audio alarm, please press the button (1) again after closing all doors.

### All doors unlocking

Press the button (2) to unlock all doors.

**Note:** If no door is opened within 30 seconds, all doors will be automatically locked again.

# Before You Drive

## Car locator

Long press the button (3) for 1 second, the vehicle will emit audible and visual alarm.

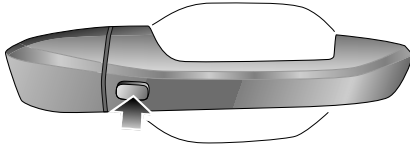
## Remote door lock with PEPS

PEPS system allows you to lock or unlock the doors without taking the remote key out of your pocket, wallet, or suitcase.

## Unlock with the remote key with PEPS



As long as there is a legitimate remote key existing within 1 meter around the vehicle, press the micro switch on the door handle, and the door will be unlocked.

## Lock with the remote key with PEPS

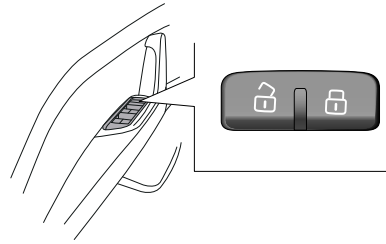


Turn off the ignition switch, leave the vehicle and close the door, then touch the micro switch on the door handle with your thumb, and the door will be locked, without pressing the lock button on the remote key.

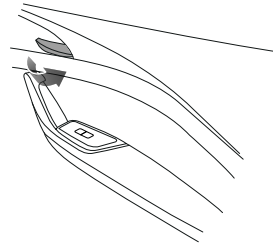
## Using the central door lock switch

All doors can be unlocked or locked from the inside using the switch. Press the locking button  to lock all doors. Press the unlocking button  to unlock all doors.

**Note: If driver door is not closed, the lock motor will not operate. If any other door is not closed, the lock motor will operate.**



The door can also be unlocked by pulling the inner handle twice.



## Before You Drive

---

**Note:** During the driving, all doors shall be fully closed and all door locks shall be enabled, so as to avoid accidental opening of doors.

### Locking according to the vehicle speed

When the vehicle speed exceeds 8 km/h, all doors can be locked automatically under this function.

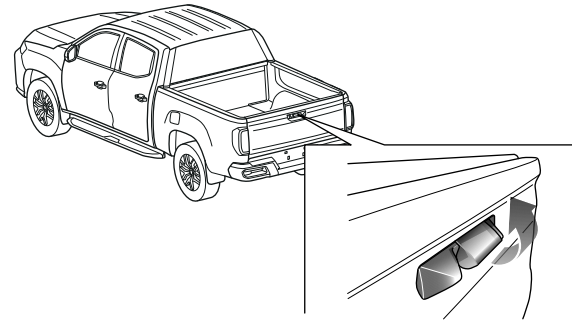
**Note:** When the ignition is turned off, the doors will unlock automatically.

### Tailgate

For models configured with tailgate key cylinder, the tailgate can be locked or unlocked by using the mechanical key portion.

For models not configured with the tailgate key cylinder, the tailgate can be opened or closed directly through the outer handle on the tailgate.

You may open the tailgate through the outer handle on the tailgate, and fold the tailgate up to close it.



**Note:** During the driving, the tailgate shall be fully closed, so as to avoid accidental opening of tailgate.

# Before You Drive

## Child safety lock

**!** If any child sits in the rear seat, please use the child safety lock.

Your vehicle is configured with child safety locks on both right and left rear doors. These locks are used to prevent the passengers (especially children) from pulling the inner door handle inside to open the rear door.

To enable the child safety lock:

- 1 Open the rear door to be locked.
- 2 Find the control lever of child safety lock nearly in the central position of the rear door on one side.
- 3 Move the control lever to the locking position.

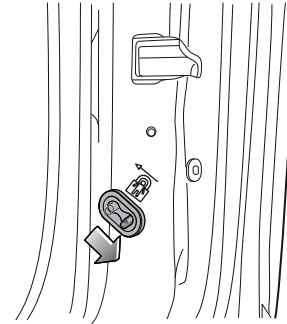


### Caution

Each rear door has its own lock. The child safety lock of each rear door (either on right and left) shall be respectively enabled and disabled manually. When the child safety lock is in the locking position, do not pull the inner door handle forcefully, which will damage the inner door handle.

After the child safety lock is enabled, the rear door only can be opened by operating the outer door handle from outside.

To disable the child safety lock, push the control lever to the unlocking position.





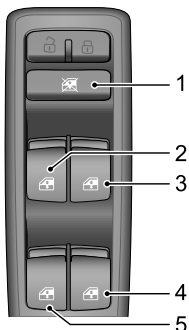
# Before You Drive

## Windows


**!** It is dangerous to leave children, incapacitated adults or pets in the vehicle with windows closed. They may faint out due to high temperature, or suffer permanent injury or even death due to heat stroke. Do not leave children, incapacitated adults or pets in the vehicle with the windows closed, especially in the warm or hot weather.

## Power windows

**!** Always take care when operating the power window. There is a risk of injury, especially for children. Please pay close attention when closing the window. Ensure that no objects are stuck in the window while it is moving.




- 1 Rear window disable switch
- 2 Left front door window control switch
- 3 Right front door window control switch
- 4 Right rear door window control switch
- 5 Left rear door window control switch

Press the switches (2) to (5) , to lower the window glass; lift the switch, to move the window glass up. Release the switch, and the window stops action (except for "One-button" mode).

**Note:** The front and rear door windows can also be controlled by using the window switch on each door. If the rear window disable switch on driver door is activated, the window control switches on the rear doors will not work.

### Rear window disable switch

Press the switch (1)  to disable the window control (the indicator lamp in the switch illuminates at this time), and press the switch again to resume the control.

**Note:** When a child sits on the rear seat, the disable function shall be enabled.

**Note:** The power window can operate only when the vehicle is powered on.

**Note:** Please operate the windows correctly to avoid danger, and the driver is required to provide guidance on


# Before You Drive

---


***usage of windows and safety precautions to the personnel in the vehicle.***

## **Automatic up/down function of window**

### ***"One-button" down***

Window control switches (2) to (5)  have two positions, short press to switch to the second position, and the window automatically opens. During the window down process, operate the switch again to stop the window from moving down.

### ***"One-button" up and "Anti-pinch"***

The left front door window has "One-button" up function; briefly lift the window control switch (2)  to the second position, and the window glass automatically moves up to close; operate the switch again to stop the movement of window glass at any time.

"Anti-pinch" function is a kind of safety function, which can allow the window glass to stop moving up when obstacles are sensed. If this situation occurs, the window glass will automatically moves down to take out obstacles.

The right front door window and the rear door window of some models also have "One-button" up and "Anti-pinch" functions, whose operation methods are the same as those of left front window.

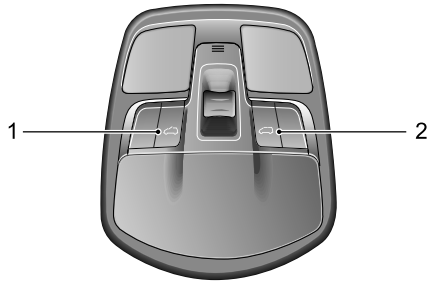
### ***Resume the automatic up/down function***

If the vehicle battery cable is re-connected after the disconnection, or the battery was drained once, or the anti-pinch


function has been enabled for 3 consecutive times at the same position when the window glass moves up, the automatic up/down function may not work, it must be re-learned to restore the function.

Close all doors, pull up the window up/down switch, until the window is fully closed, hold the switch for about several seconds after the window is fully closed; then press the window up/down switch until the window is fully open, hold the switch for about several seconds after the window is fully open, the automatic up/down function will be recovered.


## Power sunroof



### Open

First manually open the sunshade; to open the power sunroof, first press the sunroof switch (1)  once, and the sunroof will be lifted to the position for ventilation. Short press it again, and the sunroof will slide to the fully open position. During the operation, the sunroof switch can be pressed once, to make the sunroof stop at the required position.

### Close

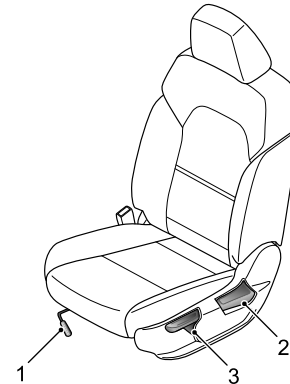
First manually open the sunshade; to close the power sunroof, briefly press the sunroof switch (2)  once, and the sunroof will slide to the position for ventilation. During the operation, the sunroof switch can be pressed once, to make the sunroof stop at the required position.

## Seats

### Driver's seat adjustment

 Do not carry out driver's seat adjustment while the vehicle is moving. Otherwise, the vehicle may lose control and cause an accident.

### Manually adjusted driver seat



### Forward/backward sliding

Pull up the handle (1), and slide the seat to the desired position. Release the handle (1) and confirm that the seat is locked in place.

# Before You Drive

## **Backrest adjustment**

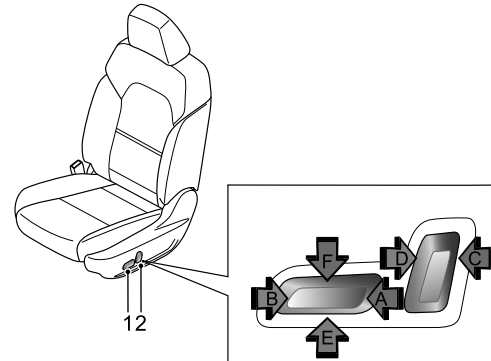
**!** Do not recline the driver seat excessively, as the seat belt provides maximum protection only when the angle between the backrest and the upright position is near 25°.

With the body tilting slightly forward, pull up the adjusting handle (2), the seat backrest will automatically bounce back, then recline against the seat backrest to adjust it to the desired angle. Release the adjusting handle (2) and confirm that the seat backrest is locked in place.

## **Cushion height adjustment**

Pull up the adjusting handle (3) to raise the seat height, and press the handle (3) to lower the seat height. When making significant adjustments, it is required to pull up or press the handle (3) consecutively.

## **Electrically adjusted driver seat**



### **Caution**

Regardless of where the ignition switch is placed, the seat can be freely adjusted. But the electrical adjustment is power consuming, which may drain the battery.

## **Forward/backward sliding**

When the button (1) is pushed forward (arrow A), the seat will move forward, and when the seat slides to the desired position, release the button (1) to stop the seat sliding.

When the button (1) is pushed backward (arrow B), the seat will move backward, and when the seat slides to the desired position, release the button (1) to stop the seat sliding.

## ***Backrest adjustment***



**Do not recline the driver seat excessively, as the seat belt provides maximum protection only when the angle between the backrest and the upright position is near 25°.**

When the button (2) is rotated forward (arrow C), the seat backrest will tilt forward, when the seat backrest tilts to the desired position, release the button (2) to stop the tilting.

When the button (2) is rotated backward (arrow D), the seat backrest will tilt backward, when the seat backrest tilts to the desired position, release the button (2) to stop the tilting.

## ***Cushion height adjustment***

When the button (1) is pulled upward (arrow E), the cushion will move upward, when the cushion raises to the desired position, release the button (1) to stop the cushion movement.

When the button (1) is pressed downward (arrow F), the cushion will move downward, when the cushion falls to the desired position, release the button (1) to stop the cushion movement.

## **Front passenger seat adjustment**

### **Manually adjusted front passenger seat**

Only forward/backward sliding and seat backrest adjustment can be made, and its adjustment is consistent with that of manually adjusted driver seat.

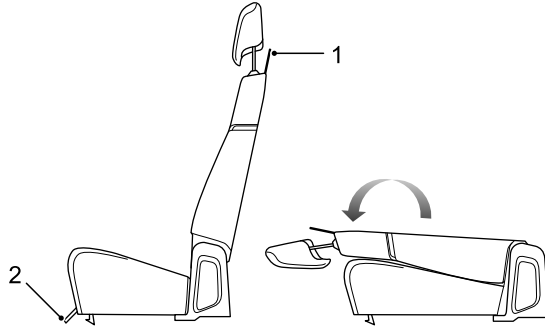
### **Electrically adjusted front passenger seat**

Its adjustment is consistent with that of electrically adjusted driver seat.

# Before You Drive

## Rear occupant seat adjustment

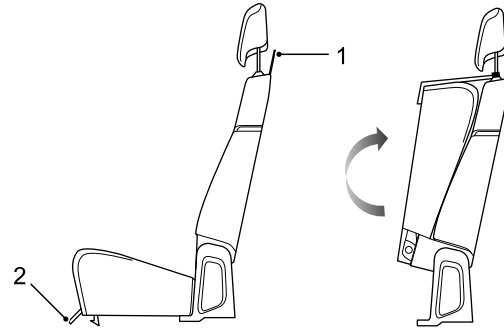
### Forward folding of seats



Pull up the tether (1) to unlock the backrest, fold the backrest forward until it snugs against the cushion.

When restoring the seat to its original position, rotate the backrest to the utmost rear end, and press the seat backrest rearward to lock it on the body. When restoring the seat to its original position, please note not to get the seat belt buckle stuck between the rear seat and the panel behind the rear seat.

### Rearward folding of seats



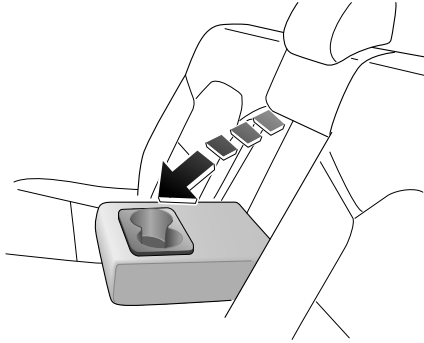
Pull the strap (2) forward below to unlock the cushion, fold the cushion backward until it snugs against the backrest. Take out the hook from the seat bag above the straps (2), then hook it to the head restraint guide rod.

When restoring the seat to its original position, withdraw the hook from the head restraint guide rod, fold the cushion to the utmost front end, and press the cushion down to lock it on the body.

# Before You Drive

## Central armrest

Pull it down and push it forward for use.



### Caution

Do not sit on the central armrest or place heavy objects on it.

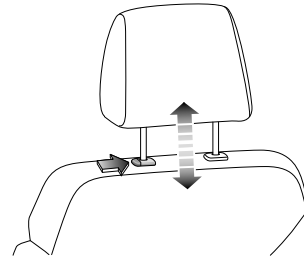
## Headrest

**Note:** *It applies to vehicles with adjustable headrest.*

**!** To reduce the risk of neck or head injury, the headrest should be adjusted to support the back of the head but not the neck. Before driving, adjust the headrests of front and rear rows, and ensure that they are in lock position (i.e., the position for safe use). Do not adjust the headrest while the vehicle is in motion.

Press the arrowed button to push down or pull up the headrest to adjust the headrest to the desired position.

When pulling to a proper position, the headrest can be pulled out.



# Before You Drive

---

## Passenger restraint system

### Sitting correctly

The seat and its passenger restraint system have been designed to reduce personal injury to a minimum in the event of an accident. For optimum effectiveness, the following points should be observed.

- Do not position the seat nearer to the steering wheel than it is necessary.
- Do not over-recline the seat. Adjust the seat backrest to no more than 30° so that you can sit in an upright position with your arms slightly bent, and the base of your spine as far back as possible.
- Your headrest should be adjusted so that its center is level with the back of your head, not your neck.
- The shoulder belt should go through the center of your shoulder (adjust its height as necessary), while the lap strap fit tightly across the hips, not the stomach.

## Seat belts



Improperly wearing or using seat belts may cause serious personal injury or death. Seat belts are life saving equipment. In a collision, unrestrained passengers may collide anywhere inside the vehicle or be possibly thrown out, resulting in injury to themselves or to other passengers.

**When riding in a vehicle, the driver and any adult (or any adult sized child) must always fix the seat belt. Do NOT slacken the webbing by pulling the belt away from your body. To be fully effective, the webbing must remain tightly around your body at all times. Avoid wearing thick, bulky clothing. Put the shoulder belt of seat belt across the center of the shoulder and the lap belt close to the body to go over the hips. Strictly prohibit the use of slack and twisted seat belts, and seat belts can not be twisted to wear.**

**Never use a seat belt for more than one adult, and never use it to secure an additional object or a child. Each seat belt can only be used by one passenger. It's dangerous to wrap a seat belt around a child in the passenger arms.**

**When wearing a seat belt, ensure that it is not twisted or slack. Otherwise the smooth operation of the belt may be impeded. The buckle release button must face outwards.**



## Before You Drive

---



Do not allow a baby or infant to be carried on the lap. The force of a crash can increase effective body weight, making it impossible to hold onto the child.

Do not allow foreign matters (particularly sugary food and drinks) to enter the seat belt buckle- such substances may render the buckle inoperative.

If the seat belt has been used in a serious accident, or is seriously worn, or has been cut, or the visual load meter shows that the seat belt is no longer available, or the seat belt is a pretensioning seat belt with the pretensioner triggered, the seat belt assembly must be replaced.

**Pregnant women should ask their doctor for advice about the safest way to wear seat belts.**

**A seat belt must not be altered or modified in any way, since such changes may render the belt ineffective. Do not attempt to dismantle, repair or lubricate the retractor or buckle mechanisms.**

Each seat belt is fitted with a retractor. When the seat belt is pulled out slowly, the retractor can ensure that the seat belt is retracted freely. But if the seat belt is pulled out too fast or under a sudden impact (a sudden deceleration, acceleration, sharp turn), the seat belt will be locked. See "Seat belts" in Maintenance and Service section for the specific inspection methods.



When the seat belt is not used, be sure to retract the seat belt webbing completely, straighten the webbing and put the tongue in place, and keep the webbing and tongue clean to prevent dust and impurities.

Be careful to avoid the erosion of webbing by polishing agents, oils and chemicals (especially battery acid). It can be cleaned safely with mild soap and water. After wear, erosion or damage of the webbing occurs, the seat belt assembly should be replaced.

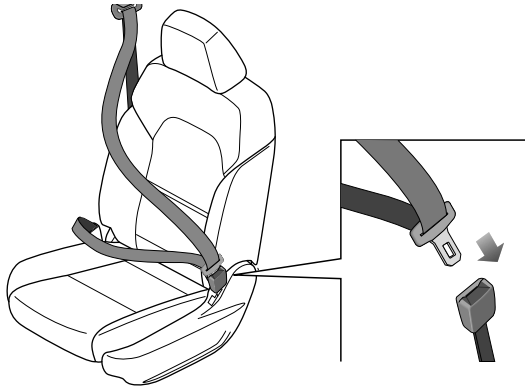
The driver and front passenger seats of the vehicles of this series can be configured with adjustable force-limiting seat belts without pretensioners and adjustable force-limiting seat belts with dual pretensioners, and the rear seats are equipped with three-point seat belts.



**Insert the tongue into the buckle until a distinct click is heard, which indicates the belt is locked.**

# Before You Drive

## Adjustable force-limiting seat belt without pretensioner



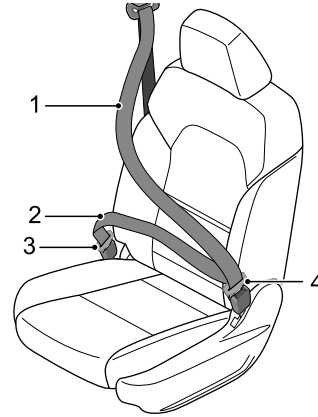
### **Fastening**

The seat belt is pulled out of the scroll smoothly, passes through the shoulder to be fastened in front of the body, verify that the belt is not twisted or tied, then push the locking tab into the buckle.

### **Loosening**

Press the red button on the buckle, then the tongue will pop out under the action of the elastic force. Push the tongue back manually, so that the automatic seat belt retractor can contract the whole seat belt more easily.

## Adjustable force-limiting seat belt with dual pretensioner



In the event of serious collision accident, the dual pretensioners (one integrated into the retractor, the other integrated into the side lap strap pretensioner) will be activated by the sensor, the shoulder belt (1) and the lap strap (2) will be contracted a little immediately at the same time to prevent the occupants from moving forward and make them seated securely, so that it improves the function of the seat belt further.

### **Fastening**

The seat belt is pulled out of the scroll, passes through the shoulder to be fastened in front of the body, verify that the belt

## Before You Drive

is not twisted or tied, then push the movable tab (4) into the buckle that inside of the seat.

### **Loosening**

Press the red button on the inner buckle, then the movable tab (4) will pop out under the action of the elastic force. Push the tongue back manually, so that the automatic seat belt retractor can contract the whole seat belt more easily.

The outer locking tab (3) does not need to be unlocked in the daily use.

#### Caution

The outer locking tab (3) should be unlocked by using the special tool, please ask Our Service Dealer to unlock it, if necessary.

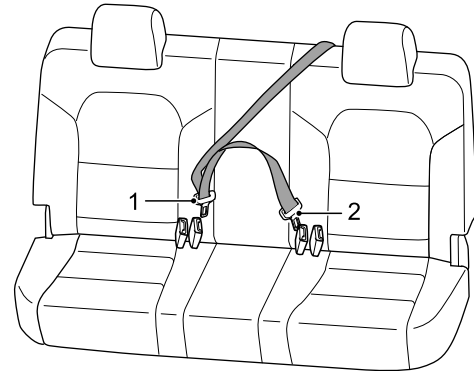
### **Three-point seal belt on both sides of rear seats**

The fastening and loosening methods for the three-point seat belt on both sides of rear seats are the same as that for front seat belts.

### **Three-point seal belt in the middle of rear seats**

#### **Fastening**

Pull the seat belt out of the rear quarter, push the fixed tab (2) into the left buckle, then the movable tab (1) is passed through the abdomen and pushed into the right buckle.

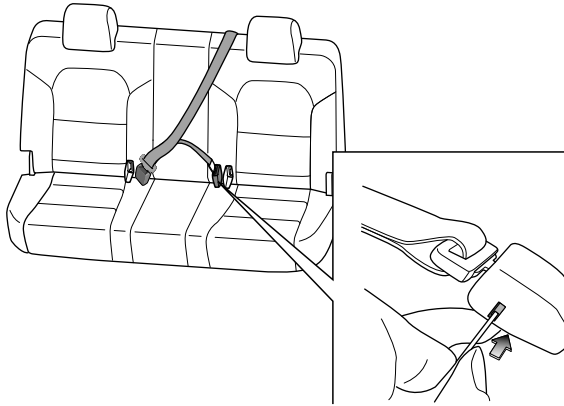


# Before You Drive

## Loosening

The movable tab (1) is unlocked by pressing the red button on the right buckle.

The fixed tab (2) can be drawn out by inserting the key or other sharp objects into the left buckle unlocking hole. Push the tongue back manually, so that the automatic seat belt retractor can contract the whole seat belt more easily.



## Seat belt warning light

See "Message center" and "Warning lights and indicators" in this section for the specific description of the "Seat belt warning light".

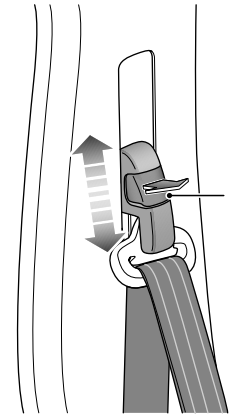
## Seat belt height adjustment

**!** Ensure that the slide adjuster is secure after making an adjustment.


**Do not adjust the height of the driver seat belt while driving, as the control of vehicle may be lost.**

Only the height of the driver seat and front passenger seat shoulder-to-hip belt can be adjusted.

Pull the button (1) outward and slide the vertical adjuster on the top of the belt up and down to suit the passenger height. Release the button (1) at the proper position, pull the seat belt forcibly to ensure that the height adjuster is locked reliably.




## Seat belt pretensioner

 Do not damage or repair a pretensioner. It contains an ignition device, so that any maintenance can only be carried out by Our Service Dealer.

Pretensioners will not function after activation and must be replaced. In the event of a collision, ensure that the pretensioner and all seat belt components have been maintained by Our Service Dealer.

The seat belt pretensioner works together with the airbag to reduce the risk of injury in the event of a head-on collision. See "Airbag(s)" in this section for further information.

## Airbag(s)

 No safety system can provide complete protection for personal injury or death in a severe crash. Injuries or death can occur, even if seat belts are worn properly and the airbags are inflated.

After inflation some airbag components are hot - Do NOT touch until they have cooled.

An airbag is inflated with considerable force and can cause facial abrasions and other injuries. These effects can be minimized by ensuring that you and your passenger(s) are wearing seat belts.

The driver seat should be adjusted to be as far rearwards as possible while maintaining the proper control of the vehicle.

Always hold the steering wheel by its rim, so that the airbag can be inflated without obstruction.

Never attach accessory items e.g. a mobile phone bracket, cup holder, cassette tray, etc. to the steering wheel cover or the airbag module cover, or stick/insert anything to an airbag module cover. Otherwise, these objects could interfere with inflation of the airbag. or after the airbag is inflated, they will be propelled into the vehicle to cause injury to passengers.

## Before You Drive

---



**Do not allow a passenger to obstruct the deployment of the airbag by putting feet, knees, etc. in contact with, or in close proximity to the airbag module cover.**

**The seat belt pretensioner works together with the airbag to reduce the risk of injury in the event of a head-on collision.**

**Do not attempt to remove or pierce the steering wheel, or hit it violently.**

**Do not allow another person, animal or object to occupy the space between the driver and the deploying range of the airbag. The same applies on the passenger side if an airbag is fitted.**

**Do not attempt to maintain the steering wheel, steering column, any airbag system or pretensioner component, or the airbag components with wiring around. Otherwise, it could cause inadvertent activation of the system resulting in personal injury.**

**Do not modify the front of the vehicle in any way as this could adversely affect airbag deployment.**

**If the vehicle is to be scrapped, undeployed airbags are potentially dangerous and should be deployed before scrapping. This operation must be done by professional staff.**

This series of vehicle can be equipped with the driver airbag, front passenger airbag, front seat side airbag and side curtain airbag.

***Note: Both the airbag and the pretensioner are supplementary protection device, while the seat belt is still the main protection device and must be worn during driving.***


### Caution

- When an airbag is triggered, a loud noise may be heard and a small amount of smoke-like gas and dust will be released. This smoke does not constitute a health hazard. The dust may be an irritant to the skin and therefore should be washed off with soap and water.
- For safety reasons you are recommended to have the airbag(s) renewed by Our Service Dealer every 10 years. If the vehicle is sold, its owner is obliged to notify the purchaser of the cautions and warnings listed. This obligation is met by handing over these instructions (See Warranty & Service Handbook) to the new owner.


# Before You Drive

---


## Airbag and pretensioner check

 If the ignition switch is turned on, the warning light is not turned on or not turned off after 6 seconds, or turned on when driving, it indicates that the airbag pretensioner or the airbag is faulty. Contact Our Service Dealer for service as soon as possible.

The "Airbag warning light (red)" will illuminate for about 6 seconds each time the ignition switch is turned to "ON"

position,  which indicates that the airbag and seat belt pretensioner inspection is in progress.

## Airbag deployment

 Incorrect sitting posture or sitting or resting on the place close to the airbag will result in serious and even fatal injuries when the airbag is deployed.

In order to reduce the injuries caused during the airbag deployment, the seat belt must be always worn properly. The driver and front passenger must have a good sitting posture, and adjust their seat positions to enable them to be far enough away from the front airbag, so as to avoid causing serious injury or death when the airbag is deployed. For vehicles equipped with side airbags and side air curtains, it is also important to ensure that upper extremities are far enough away from the side of the vehicle, avoiding injuries due to airbag deployment.

When the airbag is deployed, children not properly protected may suffer serious injury and even death. Do not allow children to ride on a vehicle without protection, and it is prohibited to stick any part of the body out of the window.

The airbag deployment may cause body surface abrasion or bruise or burns due to explosion.

## Before You Drive

---



**There must be no obstacle in the airbag inflation channel. It is prohibited to place any object between the passenger and the airbag. It is prohibited to fix or place any object on the steering wheel cover or the frontal airbag cover of instrument cluster and its vicinity. It is prohibited to place accessories around the airbag system. If there is obstacle between the passenger and the airbag, the airbag may not be properly inflated, or squeeze the obstacle into the body of passenger, causing serious injury or death.**

**Do not knock on or crash the airbag or positions of relevant components, to avoid causing serious injury or death due to airbag deployment.**

**When it is deployed, some airbag components are hot, so do not contact it before cooling down.**

In case of crash, airbag control module detects speed change caused by crash to determine airbag deployment. The airbag will deploy instantaneously and powerfully with a loud noise.

When the vehicle is subject to serious front crash, fully deployed airbag along with properly worn seat belt can limit the movement of the driver and the front passenger, thereby reducing the risk of injury to the head and chest. For vehicles equipped with side airbags and side air curtains, if the side of vehicle is seriously crashed, fully deployed side airbag will form an air cushion between the passenger and the side of vehicle, thereby reducing the risk of injury to the side of passenger body.

When you are sitting upright in the seat and leaning against the seat backrest, the seat belt and the airbag can provide the most effective protection. In case of a serious crash, the airbag deploys violently. At this moment, if you or other passenger does not properly use the seat belt, and tilts the body forward, reclines or has other incorrect posture, the possibility of serious injury or death in an accident will be high.

### Caution

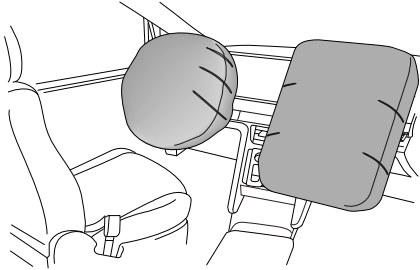
- The airbag cannot protect the lower part of passenger body.
- The airbag is not designed for rear collision or slight frontal impact or vehicle overturn, and it does not work during the emergency braking.
- Airbag deployment and contraction are completed in a very short time, and will not provide protection from effects of possible subsequent second impact.
- Upon deployment, the airbag will shrink immediately to ensure the driver could look forward without block.



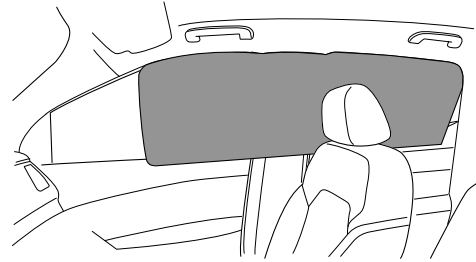
## Before You Drive

---

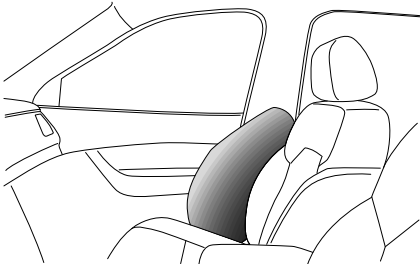
- Schematic diagram for deployment area of driver and front passenger airbags



- Schematic diagram for deployment area of side air curtains



- Schematic diagram for deployment area of front seat side airbags



# Before You Drive

## Frontal airbag

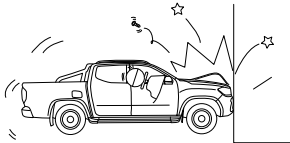
**⚠ Do not install the children restraints on the front passenger seat. Frontal airbag deployment will cause serious injury or death to children.**

**The driver and the front passenger shall not let their feet, knees or other parts of body contact with or get close to the frontal airbag cover**

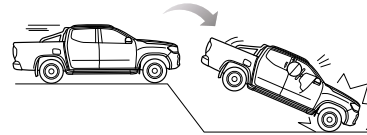
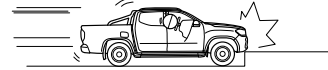
**The airbag may deploy in the event of violent jolt or accidental impact to the vehicle chassis. Therefore, be extra careful when driving on a bumpy road, to avoid injuries caused by accidental airbag deployment.**

The frontal airbag is designed to deploy in the event of front impact or similar collision. The airbag will deploy under any of the following situations or similar situations.

- Front impact at a relatively high speed with solid wall which cannot move or deform.



- When the vehicle chassis is seriously damaged. When the vehicle collides with the curbstone, road pavement edge or solid surface, and falls into the deep ditch or deep hole, or violent contact with the ground after vehicle jump may cause serious damage to the chassis.



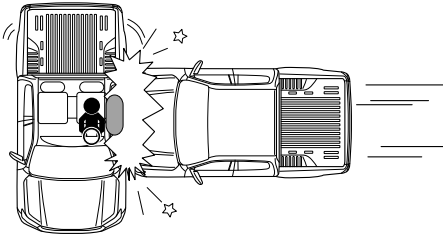
# Before You Drive

## Side airbag

**⚠** The structure and material of seat is critical for the operation of airbag. Therefore, do not install the seat cover, which will affect the deployment of side airbag.

In case of serious side impact, the front seat side airbag on the side subject to impact will pop out from the seat cover and deploy rapidly. The side airbag on the side not subject to impact will not deploy. The side airbag will deploy under any of the following situations or similar situations.

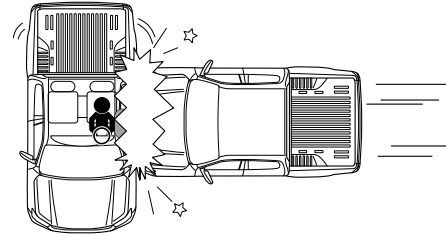
- Side impact occurs between the vehicle and the general passenger car at a relatively high speed.



## Side air curtain

In case of serious side impact, the side air curtain on the side subject to impact will pop out from the headliner and deploy rapidly. The side air curtain on the side not subject to impact will not deploy. The side air curtain will deploy under any of the following situations or similar situations.

- Side impact occurs between the vehicle and the general passenger car at a relatively high speed.



# Before You Drive

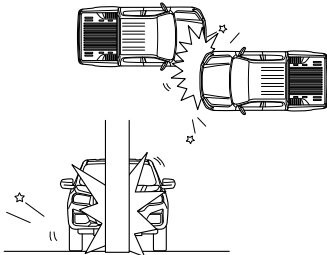
## Conditions for airbag undeployment

Airbag will deploy based on the crash object, direction and vehicle deceleration caused by crash rather than vehicle speed. When the impact force of crash is absorbed or dispersed on the vehicle body, the airbag may not deploy; but based on the impact condition during the accident, the airbag may sometimes explode. Therefore, damage severity of vehicle shall not be considered as the judgment of airbag deployment.

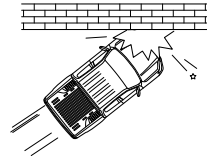
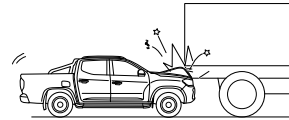
### Frontal airbag

The side airbag may not deploy under any of the following situations or similar situations.

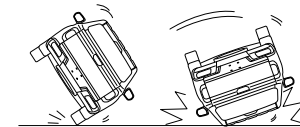
- When the impact direction deviates from the center of vehicle.
- When front impact occurs with solid electric pole, traffic sign post, trees and other small objects.



- Impact with lower part of truck tailgate; piercing-type impact with truck or vehicles with higher chassis.
- Front offset impact with guardrail.



- Side or rear impact.
- Vehicle rollover.

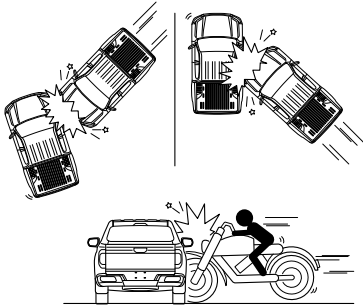


# Before You Drive

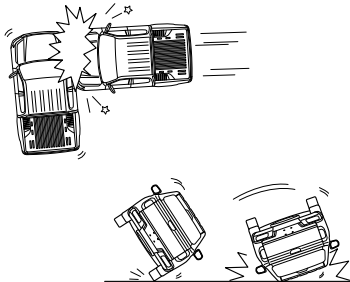
## Side airbag and side air curtain

The side airbag and side air curtain may not deploy under any of the following situations or similar situations.

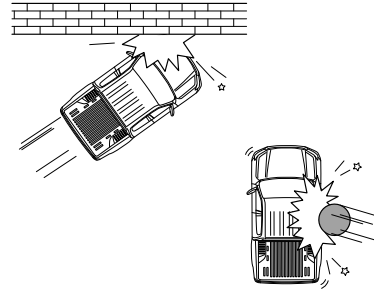
- Impact at a certain angle with the side.
- Side impact with a two-wheel motorcycle.



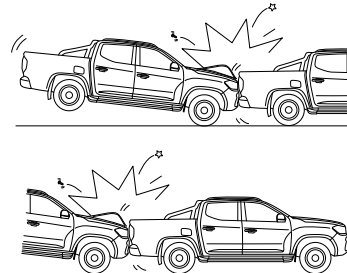
- Side impact with the front compartment of vehicle.
- Side impact with the rear of vehicle.
- Vehicle rollover.



- Front offset impact with guardrail.
- Side impact with a post.




- Front impact with a stationary or moving vehicle.
- Rear impact.



## Before You Drive


---

### Replace airbag system components after a collision accident

 The airbag system could be damaged due to a collision accident. Thus the airbag system cannot operate normally to protect you and passengers in future collision accidents resulting in serious injury even death. To ensure the airbag system remains valid after a collision accident, consult Our Service Dealer to make inspection and necessary replacement of components.

Once the airbag is inflated, it is required to replace the components of the airbag system. Contact Our Service Dealer for service as soon as possible.

### Child restraints (not supplied with the vehicle)

 **May result in death or serious injury!**  
The airbag can kill the children under 12-year old. The backward-facing child or infant restraint device is prohibited being installed on the front seat, otherwise it will result in the serious children or infant injury or death when the airbag is expanded. Seat yourself far away from the airbag as possible as you can.



Observe the instructions provided by the infant or child restraint device's manufacturer if you are installing or using such device.

**WARNING:** child restraint anchorages are designed to withstand only those loads imposed by correctly fitted child restraints. Under no circumstances are they to be used for adult seatbelts, harnesses, or for attaching other items or equipment to the vehicle.

As a child is much easier to be injured by the expanded airbag than an adult, so a child under 12 years old is suggested taking the rear seat. Usually, infants under 2 years old shall use a infant restraint and children under 2-4 years old shall use the child restraint. Infant or child restraints are available in the market.

# Before You Drive

Because there are various size and types of infant or children restraints, you are recommended to choose the suitable protection device depending on the infant's or children's age and weight to achieve the best protection. At the same time, you should check that the restraint is suitable for your vehicle as well.

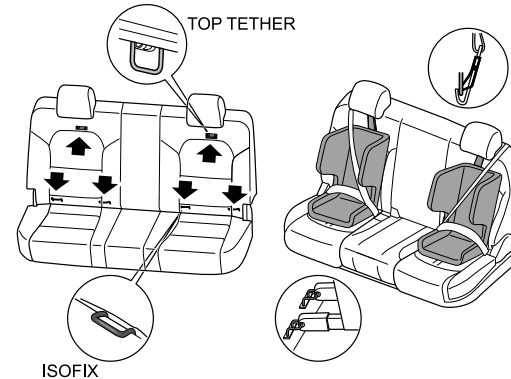
## Child restraint anchor

This vehicle has 4 ISOFIX standard interfaces on the three-abreast rear seat and some models also have 2 TOP TETHER interfaces on the seat back panel. Observe the instructions provided by the child restraint seat manufacturer for removal and installation.

### Installation methods for child restraints

- 1 Route the top tether strap over the seatback and attach to the corresponding child restraint anchorage hook, being careful not to twist the strap. When securing, you must make sure that the top strap passes through the seat headrest(This step only applies to those models with TOP TETHER anchorage). Unless using ISOFIX lower anchorages, use the seatbelt complete the installation in line with the child restraint manufactures instructions.
- 2 Insert the child restraint into the ISOFIX retaining rings until it is engaged reliably, the heard "click" sound indicates that it is installed in place.

- 3 When ISOFIX is correctly connected, press down the child restraint with your body and tighten the ISOFIX tether to fix the seat firmly on the vehicle.



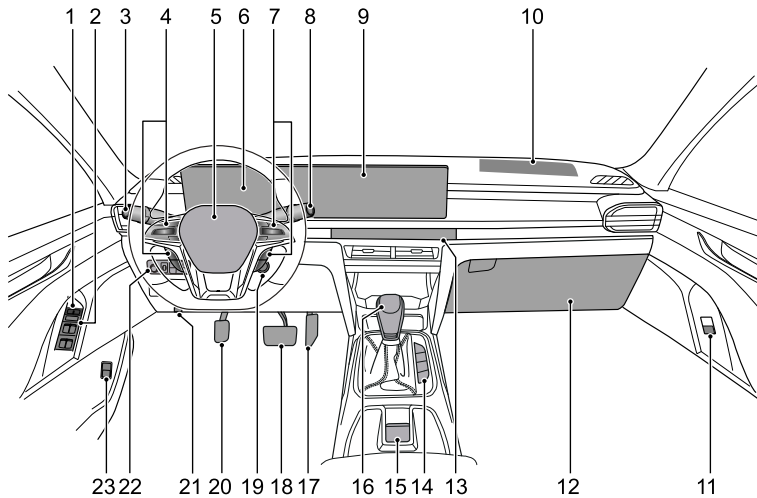
### Caution

It is preferable to fit the infant or child restraint on the rear seat. In the case the infant or child restraint must be positioned on the front seat while the vehicle is in motion, the infant or child restraint must face forward. No matter what location, ensure properly secure the infant or child restraint. Note that an unsecured infant or child restraint may move and run into other passengers when any crash or heavy braking occurs. Even if there is no infant or child, any infant or child restraint must be properly secured in the vehicle.

# Before You Drive

## Instruments and controls

### Type 1

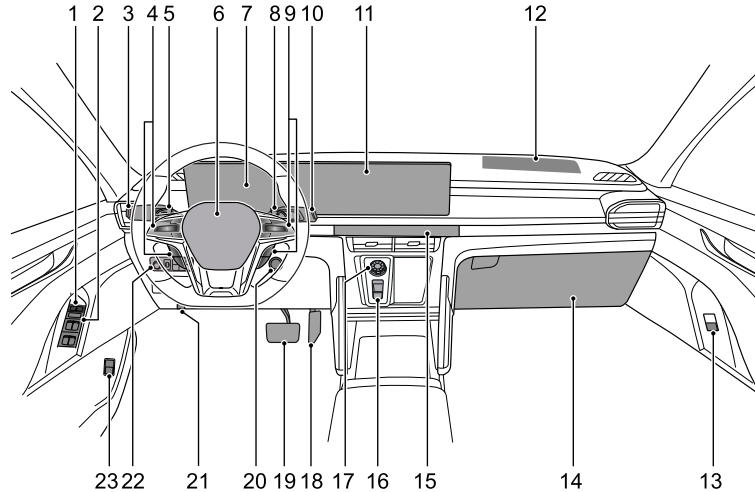


- 1 Central control door lock switch
- 2 Door window control switches
- 3 Combination lamp control and direction indicator lamp stalk switch
- 4 Instrument cluster selection and cruise switch
- 5 Driver airbag
- 6 Instrument cluster
- 7 Voice control, bluetooth phone, steering wheel heating and custom settings switch
- 8 Wiper and washer stalk switch
- 9 Entertainment system
- 10 Front passenger airbag
- 11 Front passenger door window control switch
- 12 Glove box
- 13 Entertainment system HOME switch, A/C control switch, hazard warning lamp switch
- 14 4WD switch
- 15 EPB (electrical parking brake) switch
- 16 Shift lever
- 17 Accelerator pedal
- 18 Brake pedal
- 19 Ignition switch
- 20 Clutch pedal
- 21 Hood release switch
- 22 Exterior rearview mirror power adjustment switch, headlamp leveling switch, auto hold switch, SOS alarm switch
- 23 Fuel filler flap release switch



# Before You Drive

## Type 2



- 1 Central control door lock switch
- 2 Door window control switches
- 3 Wiper and washer, high beam, turn signal lever switch
- 4 Instrument cluster selection and cruise switch
- 5 Downshift paddle
- 6 Driver airbag
- 7 Instrument cluster
- 8 Upshift paddle
- 9 Voice control, bluetooth phone, steering wheel heating and custom settings switch
- 10 Shift lever
- 11 Entertainment system
- 12 Front passenger airbag
- 13 Front passenger door window control switch
- 14 Glove box
- 15 Entertainment system HOME switch, A/C control switch, hazard warning lamp switch
- 16 EPB (electrical parking brake) switch
- 17 4WD switch
- 18 Accelerator pedal
- 19 Brake pedal
- 20 Ignition switch
- 21 Hood release switch
- 22 Exterior rearview mirror power adjustment switch, headlamp leveling switch, auto hold switch, SOS alarm switch
- 23 Fuel filler flap release switch

# Before You Drive

## Instrument cluster



- 1 Tachometer
- 2 Speedometer
- 3 Fuel gauge
- 4 Engine coolant temperature gauge

### Caution

Don't place any object in front of the instrument cluster to avoid shielding dial and warning light.

## Tachometer

The tachometer indicates the engine speed in revolutions per minute (x1000).

## Speedometer

The speedometer indicates the current road speed in kilometers per hour.

## Fuel gauge

It indicates the approximate amount of fuel in the tank. If the "low fuel level warning light (yellow)" stays on or illuminates, please refuel as soon as possible.

## Engine coolant temperature gauge

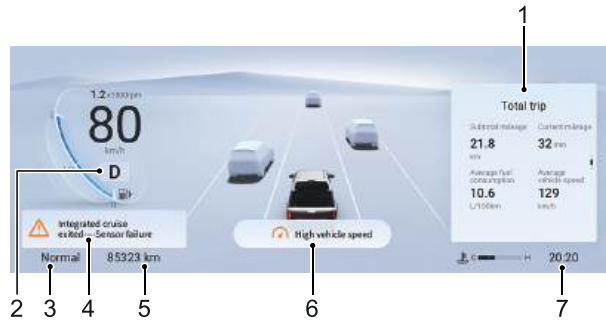
It indicates the approximate engine coolant temperature. If the coolant overheats, the "engine coolant temperature warning light (red)" will illuminate. For diesel engine models, if the low coolant alarm function is configured, when the coolant level is too low, the red warning lamp will illuminate with an audible alarm.

### Caution

If the red warning light illuminates, please stop the vehicle as soon as safety permits, shut down the engine, to reduce the coolant temperature, and contact Our Service Dealer for checking the engine cooling system.

## Message center

### Function and operation



- 1 Driving data card interface
- 2 Gear information
- 3 Driving mode



It displays the current driving mode of the vehicle: Normal (normal mode), ECO (economy mode) and SPORT (sport mode).

- 4 Fault/notification information
- 5 Total mileage
- 6 Prompt information
- 7 Current time
- 8 ADAS(Advanced Driving Assistance System) function display (only self-driving model is displayed without ADAS configuration)
- 9 Multi-media interface
- 10 4WD mode indicator

It displays the 4WD mode of the current vehicle: AUTO, 4L, 4H and 2H.

**Note:** If the vehicle is not equipped with the relevant function, the interface will not be displayed.

# Before You Drive

---

## Right function display information

### **Calendar time**


It displays the date information.

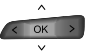

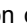
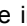
### **Multi-media interface**

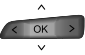
Press the button on the entertainment system display screen to display on the right side of the instrument. The multimedia interface displays the information of the currently listening music/radio programs.

### **Driving data card interface**

The driving data interface contains energy data, current travel and cumulative travel sub-pages.

Short press the  button on the instrument cluster selection

switch  on the steering wheel to switch out the driving data card interface; short press the  to hide the driving data card interface. On the driving data card interface, short press the  or  button on the instrument cluster selection switch

 on the steering wheel to switch the following interface contents:

- Energy data

It displays the instantaneous fuel consumption and vehicle range when the current engine is working.

- Current travel

It displays the trip, average fuel consumption, driving time and average speed since the ignition switch is turned on.

- Cumulative travel

It displays the trip, average fuel consumption, driving time and average speed since last reset.

On this interface, long press OK button to reset the trip, average fuel consumption, driving time and average speed.

## Alarm prompt information

### Alarm information

Alarm prompt information with major driving safety hazards is displayed in the middle of the instrument cluster and accompanied by sound prompt. Please operate in strict accordance with the instructions in the alarm prompt message. If there are relevant instructions, please stop the vehicle for inspection, or consult Our Service Dealer.

### Fault/notification information

Fault and notification prompts are displayed on the lower left side of the instrument cluster. If there are multiple faults, the display will be displayed in cycles according to the priority, and each message will be displayed for 3 seconds. Press the OK button on the steering wheel for a short time to temporarily shield. If the fault is not eliminated, it can be viewed in the alarm query interface of the entertainment system display screen. After the fault condition is eliminated, the corresponding fault information will be canceled at the same time.

### Prompt information

Prompt information is displayed directly below the instrument cluster to prompt the driver to correctly operate a function, or to prompt the reason for not performing a function correctly. Prompt information usually disappears after a few seconds.


### Caution

Don't neglect the alarm messages, otherwise it may cause serious damage to the vehicle. If the alarm indicator is on, please stop the vehicle as soon as possible if it is safe to do so.

# Before You Drive

---

## Fatigue driving monitoring and reminder

 **Fatigue driving monitoring and reminder function is used to remind the driver not to drive when tired. The system will record the time of continuous driving, and monitor the inputs of steering wheel in real time, to determine whether the driver needs to have a rest.**

### Fatigue reminder

While driving, when the system detects that the vehicle speed is higher than 5 km/h and the continuous driving time is more than 2 hours, the message "Long time driving, please stop and rest now" appears in the information center of the instrument cluster, accompanied by an audible prompt. It means that the system recommends the driver to take a rest for a while, and please stop for a rest.


#### Caution

- Do not drive if tired. The driver shall be always responsible for his/her competency.
- When driving for a long time, the regular and sufficient rest is required.
- The system can not always identify the situation that requires the driver to have a rest in all conditions.

## Tire pressure monitoring system

The tire pressure monitoring system automatically monitors the tire conditions in real time, providing effective safety guarantee for driving.

When the tire pressure is insufficient, too high, or the tire leaks quickly or the system fails in the course of driving, the "TMPS

warning light (yellow)"  on the instrument cluster illuminates with voice prompt, and the specific information and tire position can be viewed on the entertainment system display screen.

## Warning lights and indicators

### Direction indicator



The left or right "direction indicators (green)" flash when making a turn. When the hazard warning light switch is pressed, the left and right direction indicators flash simultaneously.

**Note: If a direction indicator flashes rapidly, it indicates that the bulb in this direction indicator is faulty.**

### Headlamp high beam indicator



The "headlamp main beam indicator (blue)" illuminates when the headlamps are on high beam or flash on.

### Position lamp indicator



The "position lamp indicator (green)" illuminates when the position lamps are on.

### Rear fog light indicator



The "rear fog lamp indicator (yellow)" illuminates when the rear fog lamps are on.

## Airbag warning light



When the ignition switch is turned to the "ON" position, "airbag warning light (red)" illuminates, the system conducts the self-check and the light goes off after several seconds. If the warning light remains on or flashes after self-check, it indicates that the airbag system has a malfunction, please contact Our Service Dealer for service as soon as possible.

For further information about the airbags, see "Airbag(s)" in this section.

## Seat belt warning light

**Note: This vehicle can be equipped with the front passenger and 2nd row seat belt unfastened warning functions, which shall be subject to the actual configuration of the vehicle you purchased.**



When the ignition switch is turned to "ON" position, if the driver seat belt is not fastened correctly, the "seat belt warning light (red)" will illuminate. When the speed is greater than 22 km/h, if the driver seat belt is not correctly fastened, the instrument cluster will activate a seat-belt-unfastened audible warning, and the "seat belt warning light (red)" will flash for about 94 seconds. When the seat belt is fastened, the "seat belt warning light (red)" goes out and the audible warning stops. When the vehicle is in reverse gear or the speed is less than

## Before You Drive

---

10 km/h, if the driver seat belt is not correctly fastened, the instrument cluster will not activate any audible warning, while the "seat belt warning light (red)" will illuminate. When the seat belt is fastened, the "seat belt warning light (red)" goes out.

When the ignition switch is turned to "ON" position, if the front passenger seat belt (equipped with front passenger seat belt unfastened warning function) is not fastened properly, the "seat belt warning light (red)" will illuminate. When the speed is greater than 22 km/h, if the front passenger seat belt is not correctly fastened, the instrument cluster will activate a seat-belt-unfastened audible warning, and the "seat belt warning light (red)" will flash for about 94 seconds. When the seat belt is fastened, the "seat belt warning light (red)" goes out and the audible warning stops. When the vehicle is in reverse gear or the speed is less than 10 km/h, if the front passenger seat belt is not correctly fastened, the instrument cluster will not activate any audible warning, while the "seat belt warning light (red)" will illuminate. When the seat belt is fastened, the "seat belt warning light (red)" goes out.

When the passenger seat belt (equipped with second-row passenger seat belt unfastened warning function) is not fastened properly, the "seat belt warning light (red)" illuminates. When the speed is greater than 22 km/h and the passenger seat belt (equipped with the second-row passenger seat belt unfastened warning function) is not properly fastened, the instrument cluster activates a seat-belt-unfastened audible warning, and the "seat belt warning light (red)" flashes for about 36 seconds and there is seat map showing the specific unfastened seat. When the

passenger seat belt (equipped with the second-row passenger seat belt unfastened warning function) is fastened properly, the "seat belt warning light (red)" goes out and the audible warning stops. When the speed is less than 10 km/h and the passenger seat belt (equipped with the second-row passenger seat belt unfastened warning function) is not properly fastened, the "seat belt warning light (red)" illuminates. When the passenger seat belt (equipped with the second-row passenger seat belt unfastened warning function) is fastened properly, the "seat belt warning light (red)" goes out.

**Note:** *Opening the door will reset the time when the seat belt warning light flashes. Front passenger and second-row passenger seat belt unfastened warning function can only be triggered when there is passenger on the seat.*

### Engine immobilizer warning light



With the ignition switch in "ON" position, if the engine immobilizer authentication is successful, the "engine immobilizer warning light (yellow)" will go out and the engine can be started.

If the "engine immobilizer warning light (yellow)" flashes, it indicates that the immobilizer control system is faulty, the engine can not be started, please contact Our Service Dealer for service immediately.



# Before You Drive

## Engine coolant temperature warning light



When the ignition switch is turned to "ON" position, if the coolant overheats, the "engine coolant temperature warning light (red)" will illuminate. For diesel engine models, if the low coolant alarm function is configured, when the coolant level is too low, the red warning light will illuminate with an audible alarm.

### Caution

If the red warning light illuminates, please stop the vehicle as soon as safety permits, shut down the engine, to reduce the coolant temperature, and contact Our Service Dealer for checking the engine cooling system.

## Low fuel warning light



When the ignition switch is turned to "ON" position, if the "low fuel level warning light (yellow)" stays on or illuminates, please refuel as soon as possible.

## Oil pressure warning light



If the "oil pressure warning light (red)" illuminates after the engine is started or during driving, it indicates that the oil pressure is faulty. Please shut down immediately and check the oil level. See "Engine oil" in Maintenance and Service section.

### Caution

Even if the oil level is normal, do not restart the engine, please contact Our Service Dealer for service as soon as possible.

1

## Glow plug indicator



When the ignition switch is turned to "ON" position, the "glow plug indicator (yellow)" illuminates. If the "glow plug indicator (yellow)" goes out after the preset time has elapsed, the engine can be started.

### Caution

If the indicator stays on after the engine is started, please contact Our Service Dealer for service as soon as possible.

## Fuel filter water level warning light



When the ignition switch is turned to "ON" position, if the "fuel filter water level warning light (yellow)" illuminates during driving, please stop the vehicle as soon as possible and drain water from the fuel filter; if the water is not drained in time, it will cause engine to produce torque limiting. See "Water draining of fuel filter" in Emergency Troubleshooting section for the information on the water draining of the fuel filter.

### Urea warning light



When the ignition switch is turned to "ON" position, "urea warning light (yellow)" flash slowly, the buzzer sounds three consecutive times to prompt that the urea level is low, and the instrument cluster will indicate the remaining driving mileage that the urea tank can support, please add the urea as soon as possible; when the warning light flashes quickly, the buzzer sounds three consecutive times to prompt that the urea level is low, the instrument cluster will prompt that the urea tank level is low, and the vehicle will not start after driving XX km, please add the urea as soon as possible; when the warning light is normally on, the buzzer sounds three consecutively times to prompt that the urea solution is empty, the instrument cluster will prompt that the urea tank is empty, and the vehicle cannot start, please add the urea (it is required to add it to the level enough for driving more than 800 km.) When the urea system has failure, the warning light is also normally on, the buzzer sounds three consecutive times, the instrument cluster will prompt that the urea system fails, and the vehicle will not start after driving XX km, please go to the after-sale service station for inspection as soon as possible, and at this time, please contact Our Service Dealer for service as soon as possible.

### DPF (Diesel Particulate Filter) warning light



When the ignition switch is turned to "ON" position, and the "DPF (Diesel Particulate Filter) warning light (yellow)" stays on, if the DPF gives Level I alarm, it indicates that the DPF tends to be overloaded, and the vehicle should be driven for about 20 min at high speed (greater than 60 km/h) in safe and legitimate conditions, or stopped when the surrounding environment is safe before pressing the DPF virtual button switch on the center console screen for in-situ regeneration; when the DPF warning light flashes, if the DPF gives Level II alarm, it indicates that the DPF is blocked, and automatic regeneration cannot be performed; please park the vehicle when the surrounding environment is safe and press the DPF virtual button switch on the entertainment system screen for in-situ regeneration. See "Catalytic converter" in Starting and Driving section for details.

### Emission MIL



When the ignition switch is turned to "ON" position, the "emission MIL (yellow)" illuminates and goes out after the engine is started. If the warning light illuminates, it indicates that the engine performance and the emission system are faulty. Please contact our service dealer for service as soon as possible, meanwhile, avoid too high engine speed or fast acceleration.

## Engine malfunction warning light



When the ignition switch is turned to "ON" position, if the "engine malfunction warning light (yellow)" illuminates after the engine is started, it indicates that the engine-related parts are faulty. Contact our service dealer for service as soon as possible.

## Transmission malfunction warning light



When the ignition switch is turned to "ON" position, if the "transmission malfunction warning light (yellow)" illuminates after the engine is started, it indicates that the transmission-related parts are faulty. Contact Our Service Dealer for service as soon as possible.

## ABS (Anti-lock Braking System) warning light



When the ignition switch is turned to "ON" position, if the "ABS warning light (yellow)" illuminates while driving, it indicates that the ABS is faulty. Please contact Our Service Dealer for service as soon as possible.

## Brake system warning light



When the ignition switch is turned to the "ON" position, when the parking brake is activated, the "brake system warning

light (red)" will illuminate, and will go out immediately after the parking brake is fully released.

When the brake fluid level is below the normal range, the "brake system warning light (red)" will also light up. If the warning light does not go out after the parking brake is released, it indicates that the brake system has failed. Please stop immediately and contact Our Service Dealer for maintenance as soon as possible.

## EBD (Electronic Brake Distribution) warning light



When the ignition switch is turned to "ON" position, if the "EBD warning light (red)" illuminates while driving, it indicates that the brake system is faulty. Please contact Our Service Dealer for service as soon as possible.

## ESC (Electronic Stability Control) indicator



When the ignition switch is turned to "ON" position, "ESC indicator (yellow)" flashes when the electronic stability control system is operating. If the indicator illuminates, it indicates that the electronic stability control system is faulty, please contact Our Service Dealer for service as soon as possible.

## Before You Drive

---

### ESC (Electronic Stability Control) OFF indicator



When the ignition switch is turned to "ON" position, if the ESC OFF switch is pressed to disable the ESC function, the "ESC OFF indicator (yellow)" will illuminate.

See "Brake system" in Starting and Driving section for more information.

### HDC (Hill Descent Control) indicator

**Note: It applies to the vehicles equipped with HDC.**



When the ignition switch is turned to "ON" position, and the HDC enables, the "HDC indicator (green)" illuminates. When HDC is activated, the "HDC indicator (green)" flashes. With the vehicle powered, when the HDC function is faulty, the "HDC indicator (yellow)" will illuminate. See "Brake system" in the Starting and Driving section for more information.

### EPB (Electrical Parking Brake) indicator

**Note: It applies to vehicles configured with EPB.**



When the ignition switch is turned to "ON" position, if EPB is enabled, the parking brake will be tightened, and the "EPB indicator (red)" will illuminate and immediately go out after the parking brake is completely released.

### EPB (Electrical Parking Brake) malfunction warning light

**Note: It applies to vehicles configured with EPB.**



When the ignition switch is turned to "ON" position, if the "EPB malfunction warning light (yellow)" illuminates, it indicates that the brake system is faulty. Please immediately stop the vehicle safely, and contact Our Service Dealer for service as soon as possible.

See "Electrical parking brake" in Starting and Driving section for more information.

### Auto hold indicator

**Note: It applies to vehicles configured with auto hold.**



When the ignition switch is turned to "ON" position, the auto hold function will be enabled, and the "auto hold indicator (white/black)" will illuminate; when the auto hold is activated, the "auto hold indicator (green)" will flash.

The auto hold has the capacity of memory. When the auto hold function is turned on and the driver unfastens the seat belt, the "auto hold indicator (green)" will go out, but the function ON state is still memorized by the auto hold system. In this case, please fasten the seat belt again to light up the "auto hold indicator (green)" and enable the auto hold function.

When the ignition switch is turned to "ON" position, the auto hold function has a malfunction, the "auto hold indicator (yellow)" will illuminate.

See "Auto hold" in Starting and Driving section for more information.

## EPS (Electric Power Steering) system malfunction warning light



When the ignition switch is turned to "ON" position, if the "EPS system malfunction warning light (yellow)" illuminates, it indicates that the electric power steering system is in general failure, with the performance decreased, please stop the vehicle as soon as safety permits. If the light stays on after restarting the vehicle and driving for a short moment, please contact Our Service Dealer for service as soon as possible; if the "EPS system malfunction warning light (red)" illuminates, it indicates that the electric power steering system is in serious failure, please immediately stop the vehicle safely, and contact Our Service Dealer for service as soon as possible.

## 4WD malfunction warning light

**Note:** *It applies to vehicles configured with 4WD system.*



When the ignition switch is turned to "ON" position, "4WD malfunction warning light (red)" stays on after the engine

is started or illuminates during driving, it indicates that the 4WD system has a malfunction, please contact Our Service Dealer for service as soon as possible. See "4WD system" in Starting and Driving section for more information.

## Battery charging indicator



When the ignition switch is turned to the "ON" position, the "battery charging indicator (red)" illuminates, and goes off after the engine is started.

### Caution

If the warning light stays on after the vehicle is started or illuminates during driving, it indicates that the charging system has a malfunction, please contact Our Service Dealer for service as soon as possible.

## TPMS warning light

**Note:** *It applies to vehicles configured with tire pressure monitoring system.*



When the ignition switch is turned to "ON" position, if the tire pressure monitoring system breaks down, the "TPMS warning light (yellow)" will illuminate. Please contact Our Service Dealer for service as soon as possible.

# Before You Drive

## Cruise control indicator

**Note:** *It applies to vehicles configured with cruise control.*



When the ignition switch is turned to "ON" position, if the cruise system is on standby, the "cruise control indicator (white/black)" will illuminate; when the cruise system is active, the "cruise control indicator (green)" illuminates. See "Cruise control system" in Starting and Driving section for more information.

## FCW (Forward Collision Warning)/AEB (Automatic Emergency Braking) warning light

**Note:** *It applies to vehicles equipped with FCW and AEB.*



When the ignition switch is turned to "ON" position, and the FCW system is operating, if the AEB system does not give an alarm, the "FCW/AEB warning light (yellow)" will flash; when the ignition switch is turned to "ON" position, if the AEB system gives an alarm, the "FCW/AEB warning light (red)" will flash. See "FCW (Forward Collision Warning) and AEB (Automatic Emergency Braking)" in the Starting and Driving section for more information.

## LDW (Lane Departure Warning)/LKA (Lane Keep Assist) warning light

**Note:** *It applies to vehicles equipped with LDW and LKA.*



When the ignition switch is turned to "ON" position, and LDW and LKA are on standby, the "LDW/LKA warning light (white/black)" will illuminate.

When LDW and LKA give an alarm or are triggered, "LDW/LKA warning light (yellow)" will flash.

When LDW and LKA are disabled, the "LDW/LKA warning light (yellow)" will illuminate.

If the warning light illuminates in yellow when LDW and LKA are enabled, it indicates that LDW and LKA break down. Please contact our Service Dealer for service as soon as possible.


See "LDW (Lane Departure Warning)/LKA (Lane Keep Assist)" in the Starting and Driving section for more description of their functions.

## ACC (Adaptive cruise control) indicator

**Note:** *It applies to vehicles with ACC.*



When the ignition switch is turned to "ON" position, if the ACC system is in standby mode, the "ACC

indicator (gray)"  illuminates; with the ACC enabled, if the ACC system meets the activation conditions, the "ACC

indicator (blue)"  illuminates.

# Before You Drive

See “ACC (Adaptive Cruise Control)” in the Starting and Driving section for more description of cruise function.

## ICA (Integrated Cruise Assist) indicators

**Note:** *It applies to vehicles with ICA.*



When the ignition switch is turned to "ON" position and ICA enabled, when the ICA is activated, the “ICA indicator (blue)” illuminates. If ICA is in standby mode, the “ICA indicator (gray)” illuminates.

See "ICA (Integrated Cruise Assist)" in Starting and Driving section for more descriptions about cruise control function.

## SLIF (Speed Limit Information Function) indicator

**Note:** *It applies to vehicles with SLIF system.*



When the ignition switch is turned to "ON" position, when SLIF is enabled and a traffic sign is detected, the “SLIF warning light” will illuminate. See “SLIF (Speed Limit Information Function)” in the Starting and Driving section for more information.

## ISA (Intelligent Speed Limit Assist) indicator

**Note:** *It applies to vehicles with ISA.*



When the ignition switch is turned to "ON" position, when ISA is enabled and activated, the "ISA indicator" will illuminate. Please slow down to avoid overspeed driving. See “ISA (Intelligent Speed Limit Assist)” in the Starting and Driving section for more information.

## IHC (Intelligent High Beam Control) indicator

**Note:** *It applies to vehicles with IHC.*



When the ignition switch is turned to "ON" position, when IHC system controls the high beam to illuminate, “IHC indicator (blue)” illuminates; when IHC system controls the high beam to go out, “IHC indicator (gray)” illuminates. See “IHC (Intelligent High Beam Control)” in the Starting and Driving section for more information.

## Normal indicator



When the ignition switch is turned to "ON" position, when the Normal button on the entertainment system display is pressed, the "Normal indicator (white/black)" illuminates.

## ECO indicator



When the ignition switch is turned to "ON" position, when the ECO button on the entertainment system display is

# Before You Drive

pressed, the "ECO indicator (green)" illuminates and the vehicle drives in the economic mode with a relatively weak engine power.

## SPORT indicator

**SPORT**

When the ignition switch is turned to "ON" position, when the SPORT button on the entertainment system display is pressed, the "SPORT indicator (red)" illuminates and the vehicle drives in the sport mode with a relatively strong engine power.

## Trailer indicator

**Note: It applies to vehicles with trailer control module.**

**↔**

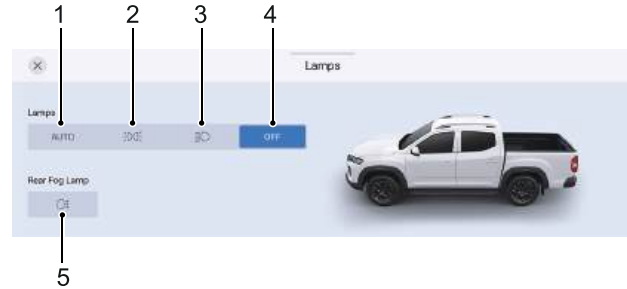
When the ignition switch is turned to "ON" position, the rear trailer is connected successfully, and the turn signals are turned on, the "Trailer indicator (green)" on the instrument cluster will flash. If the rear trailer is not successfully connected, when the turn signals are turned on, the "Trailer indicator (green)" on the instrument cluster will go out.

## Exterior lamp switch

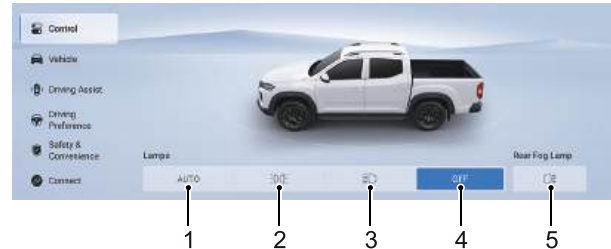
### Combination lamp control switch

#### Lamps control switch

Type 1



Type 2





The lamps control switch is located on the entertainment system screen. Switch the lamps control switch to the positions shown,



# Before You Drive

and the corresponding lamp illuminates. The daytime running lamps automatically illuminate after the vehicle is started.

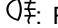

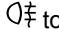
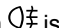
- 1 AUTO: Headlamp control switch. When the headlamp is in AUTO position, the headlamps turn on or off according to the ambient lighting. The daytime running lamps automatically illuminate when other lamps are not lit after the vehicle is started.
- 2 : Position lamp switch. When the headlamp switch is in Position Light position, the following lamps illuminate:
  - Position lamps
  - License plate lamps
  - Dashboard lamps
- 3 : Headlamp low beam switch.

**Note:** *If headlamps are on when the vehicle is parked, the battery will discharge, and the vehicle may be unable to restart due to lack of battery power. An audible warning will sound if the headlamp switch is on when the vehicle is powered off.*

**Note:** *Before the vehicle is powered off, if the headlamp control switch is in AUTO position, the headlamp control switch is still in AUTO position after the vehicle is powered on again.*

**Note:** *Before the vehicle is powered off, if the headlamp control switch is not in AUTO position, the headlamp control switch is in OFF position after the vehicle is powered on again.*

**Note:** *See "High beam, turn signal lever switch" in this section for more operation methods of turn signal lamps and headlamps.*

- 4 OFF: Headlamps off.
- 5 : Rear fog lamp switch. When the vehicle is powered on, the headlamp control switch is in High beam or  position, and press rear fog lamp switch  to turn on the rear fog lamps. When the headlamp control switch is in AUTO position, and rear fog lamp switch  is turned on, the rear fog lamps illuminate or go out along with the headlamps according to ambient lighting. When the rear fog lamps are turned on, the "rear fog lamp indicator (yellow)" on the instrument cluster illuminates.

**Note:** *Rear fog lamps shall not be used until the visibility is obviously restricted (such as heavy fog or snow).*


## Daytime running lamp

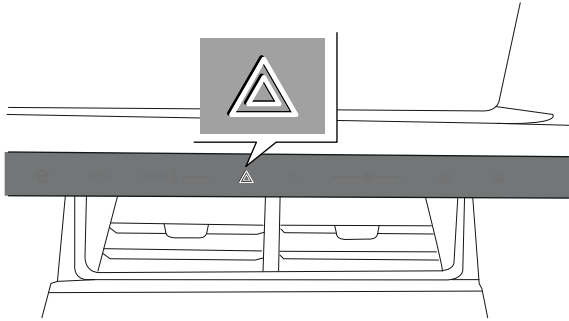
Daytime running lamps make it easier for others to see the front of your vehicle clearly during the day.

If your vehicle is equipped with daytime running lamps, the daytime running lamps will illuminate when the vehicle is powered on. The low beam, taillights, position lamps, and other lamps do not illuminate when the daytime running lamps are on. The daytime running lamps will be off when the vehicle is powered off. Comply with ECE R87 regulatory requirements for daytime running lamps.

# Before You Drive

## Hazard warning lamp switch

Press the hazard warning lamp switch  to activate all the turn signals simultaneously, and the "Direction indicator (green)" in the instrument cluster will illuminate and flash. Press the switch again to turn off the above lamps.



**Note:** Turn on hazard warning lamps to prompt other vehicles that your vehicle has a malfunction and approaching your vehicle may be dangerous.

## Dashboard switch

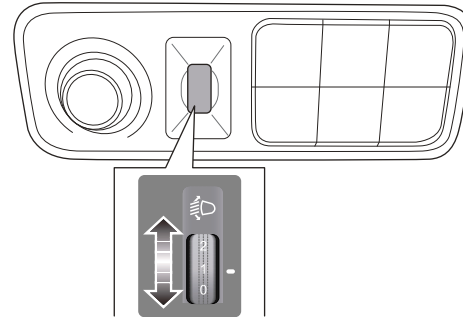
### Headlamp leveling switch

**Note:** It applies to vehicles configured with headlamp leveling function.

The headlamp leveling switch is located on the instrument panel at driver side, which is on the outboard side of the steering wheel.

With this function, the headlamp leveling can be adjusted to the condition suitable for the vehicle driving roads. The correction of headlamp leveling can reduce the dazzling light to other drivers.

To adjust the headlamp leveling, low beam must be turned on.



Adjust the headlamp leveling by moving the switch upwards or downwards. With the change of vehicle load, please

## Before You Drive

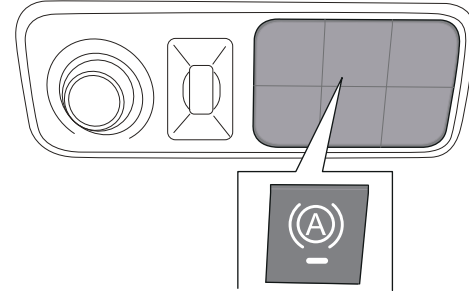
---

adjust headlamp leveling in accordance with the following requirements.

- Position 0: The front passenger seat is occupied.
- Position 1: All seats are occupied.
- Position 2: All seats are occupied and there is goods in the cargo compartment.
- Position 3: The driver's seat is occupied and there are goods in the cargo compartment.

### Auto hold switch

**Note:** *It applies to vehicles configured with auto hold.*



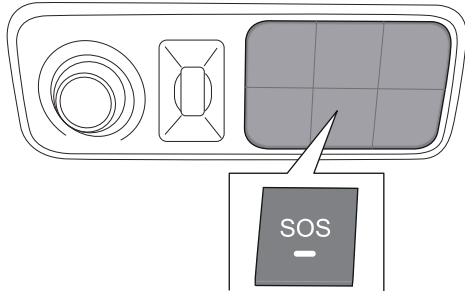
With the ignition switch in "ON" position, press the auto hold switch (A), the indicator on the switch illuminates and the "auto hold indicator (white/black)" on the instrument cluster will illuminate; when the auto hold is activated, the "auto hold indicator (green)" will flash. Press it again to disable the auto hold function. See "Auto hold" in Starting and Driving section for more information.

# Before You Drive

## SOS alarm switch

**Note:** *It is applicable to the vehicle equipped with the SOS alarm switch.*

In case of an emergency, you may press the SOS alarm switch to send signals to the monitoring platform, and the platform can carry out the subsequent assistance work.



### Caution

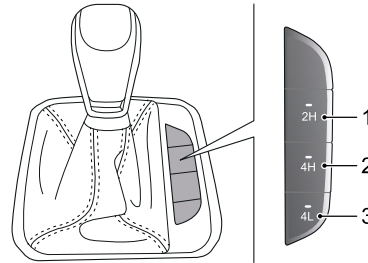
This switch is for emergency use only, please do not operate it without permission.

## Auxiliary fascia console switch

### Part-time 4WD switch

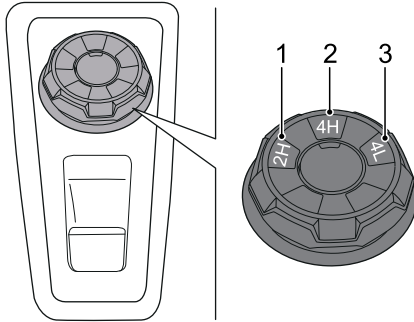
**Note:** *It applies to vehicles configured with part-time 4WD system.*

#### Type 1



# Before You Drive

## Type 2



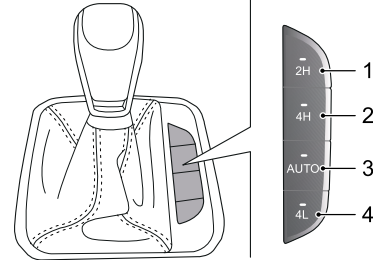
- Position 1 -2H: High-speed 2WD switch.
- Position 2 -4H: High-speed 4WD switch.
- Position 3 -4L: Low-speed 4WD switch.

**Note:** See **"Part-time 4WD system"** in **Starting and Driving** section for more information.

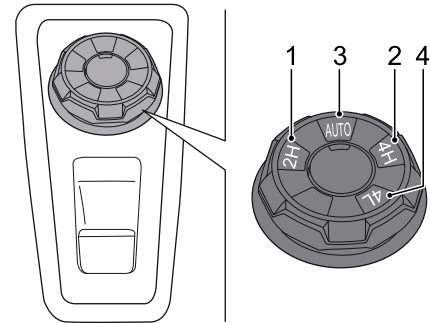
## Real-time 4WD switch

**Note:** It applies to models with real-time 4WD system.

### Type 1



### Type 2



## Before You Drive

Position 1 -2H: High-speed 2WD switch.

Position 2 -4H: High-speed 4WD switch.

Position 3 -AUTO: Automatic mode switch.

Position 4 -4L: Low-speed 4WD switch.

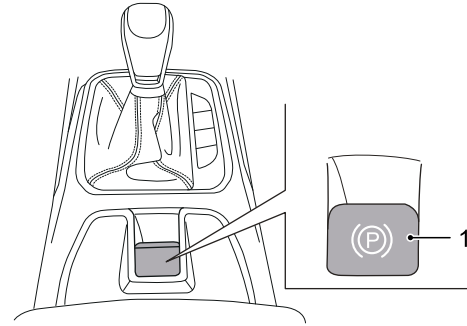
### Caution

When switching to 4L mode, long press the 4L switch for more than 2 seconds.

**Note:** *When stopping and depressing the clutch pedal (for AT models, it is required to switch to N gear), switching can be made between 2H/4H/AUTO and 4L; about 5 seconds after pressing the switch, switch target gear indicator illuminates; please see "Real-time 4WD system" in Starting and Driving section for more information.*

## EPB (electrical parking brake) switch

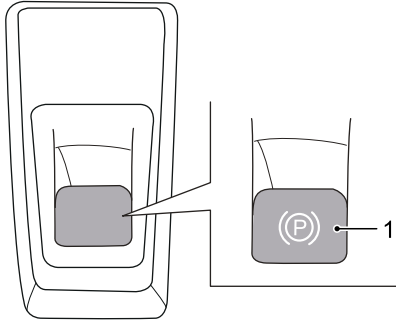
### Type 1



Position 1 -Ⓟ: EPB (electrical parking brake) switch. Pull up the switch Ⓟ to realize parking; Press the switch Ⓟ to release the parking.

## Before You Drive

### Type 2

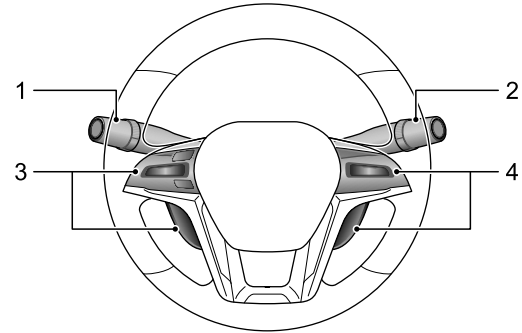


Position 1 - (P): EPB (electrical parking brake) switch. After the vehicle is braked to a stop, press the P gear button on the side of the gear lever, and the vehicle enters the P gear to realize the parking function; Press the switch (P) to release the parking.

**Note:** See *"Electrical parking brake"* in *Starting and Driving section for more information.*

### Switches on steering column and steering wheel

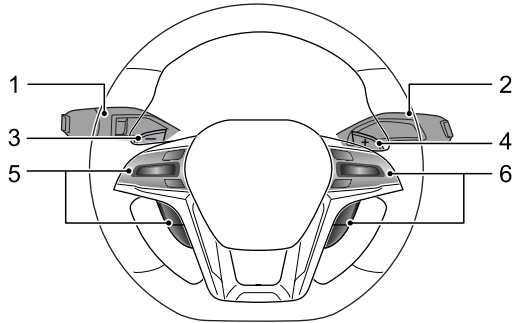
#### Type 1



- 1 Combination lamp control and direction indicator lamp stalk switch
- 2 Wiper and washer stalk switch
- 3 Instrument cluster selection and cruise switch
- 4 Voice control, bluetooth phone, steering wheel heating and custom settings switch

# Before You Drive

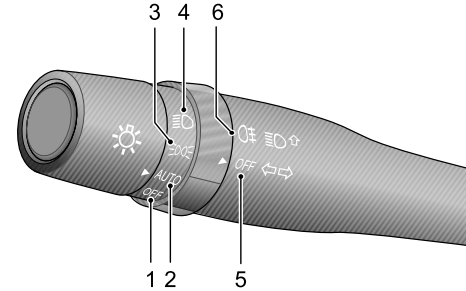
## Type 2



- 1 Wiper and washer, high beam, turn signal lamp lever switch
- 2 Shift lever
- 3 Manual downshift paddle
- 4 Manual upshift paddle
- 5 Instrument cluster selection and cruise switch
- 6 Voice control, bluetooth phone, steering wheel heating and custom settings switch

## Combination lamp control and direction indicator lamp stalk switch

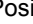
### Lamps control switch



Rotate the lamp control switch to the positions shown, and the corresponding lamp illuminates.

Position 1 -OFF: headlamps off. Daytime running lamps automatically illuminate after the engine is started.


Position 2 -AUTO: headlamps automatically adjust. When the headlamp switch is rotated to position 2, the headlamps turn on or off according to the ambient lighting. The daytime running lamps automatically illuminate when other lamps are not lit after the engine is started.

Position 3 : position lamps on. When turning on the position lamps, the following lamps illuminate:




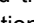

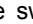
## Before You Drive

- Position lamps
- License plate lamps
- Dashboard lamps

Position 4 : headlamps low beam on.

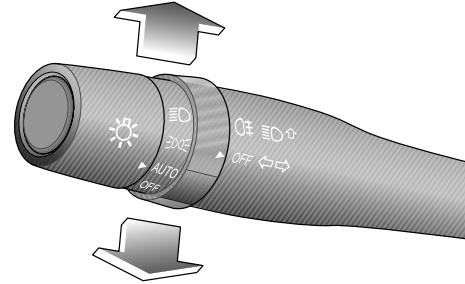
**Note: Headlamps will only operate when the ignition switch is in position "ON". If headlamps are on when the vehicle is parked, the battery will discharge and the engine may be unable to restart due to battery lack of power. An audible warning will sound if the headlamp switch is on when the ignition switch is turned off and the key is removed.**

Position 5 -OFF: fog lamps off.

Position 6 : rear fog lamps on. When the ignition switch is in position "ON" and the lamp control switch is in high beam or  low beam position, rotate the switch to  position to turn the rear fog lamps on. When the lamp control switch is in position AUTO, rotate the switch to  position, the rear fog lamps illuminate or go out along with the headlamps according to ambient lighting. When the rear fog lamps are turned on, the "rear fog lamp indicator (yellow)" on the instrument cluster illuminates.

**Note: Rear fog lamps shall not be used until the visibility is obviously restricted (such as heavy fog or snow).**

### Turn signal lamps and direction indicators



Right turn — push the stalk switch upward.

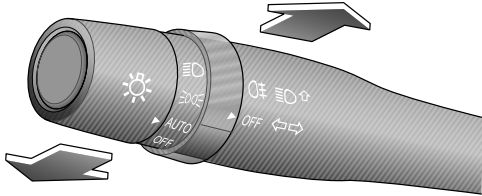
Left turn — pull the stalk switch downward.

The appropriate "direction indicators (green)" in the instrument cluster illuminate in time with the turn signal lamps.

# Before You Drive

---

## Headlamp high and low beams



Push the stalk switch away from the steering wheel to change the headlamps from low to high beam. Pull the stalk switch towards the steering wheel to return to the low beam position.

**Note:** The "headlamp high beam indicator (blue)" in the instrument cluster illuminates when the headlamps are on high beam. To flash the headlamps, slightly lift the stalk switch intermittently towards the steering wheel.

## Daytime running lamp

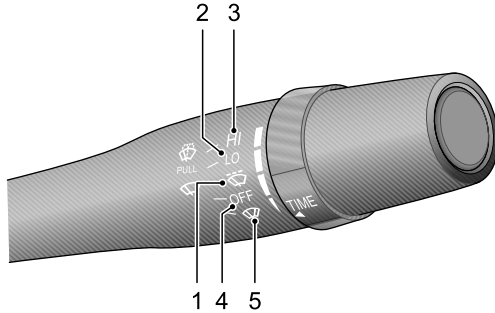
Daytime running lamps make it easier for others to see the front of your vehicle clearly during the day.

If your vehicle is equipped with daytime running lamps, the daytime running lamps will illuminate when the ignition switch is in position "ON". The low beam, tail lamps, position lamps, and other lamps do not illuminate when the daytime running lamps are on. When the ignition switch is in position "OFF", the daytime running lamps go out.


Comply with ECE R87 regulatory requirements for daytime running lamps.

## Wiper and washer stalk switch

### Windshield wiper and washer



Rotate the stalk switch to the desired position.

Position 1 - : intermittent wipe. For a vehicle equipped with an automatic wipers, its rain sensor will detect the rainfall on the windshield and automatically adjust the wiping frequency of windshield wipers.

**Note:** Always keep the rain sensor free of dust, dirt or ice.


Position 2 -LO: low-speed wipe.

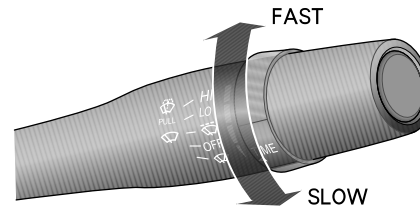
Position 3 -HI: high-speed wipe.


Position 4 -OFF: wiper off.

Position 5 - : single wipe.


### *Intermittent wipe/variable interval*

 **Worn wiper blades may not clear the windshield properly, thus reducing forward visibility and resulting in accident. Always renew worn wiper blades immediately.**



For the vehicle that is not equipped with rain sensor, when the stalk switch is in  (intermittent) position, rotate the switch to vary the interval between wipes.

## Before You Drive

For the vehicle that is equipped with rain sensor, when the stalk switch is in  (intermittent) position, rotate the switch to change the sensitivity of front wipers, and the rain sensor will adjust the wiping rate of front wipers

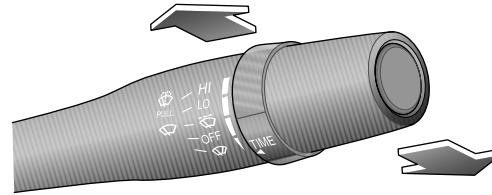
### Caution

In freezing or very hot conditions, to prevent damage to the wipers, ensure the blades are not frozen or otherwise adhering to the glass, and clear the screen of obstructions such as snow. Do not operate wipers when the windshield is dry. It can scratch the glass, cause the blades to wear prematurely and obscure vision.

### Washers

Pull the stalk switch towards the steering wheel. The washer will operate immediately. After a short interval, the wiper will operate with the washer. The washer will be off when the stalk switch is released.

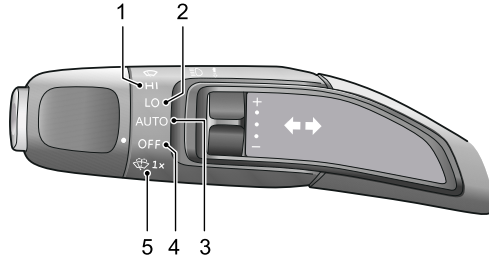
**Note: The wipers will continue to operate for 3 wipes after the stalk switch is released.**



# Before You Drive

## Wiper and washer, high beam, turn signal lamp lever switch

### Windshield wiper and washer



Rotate the lever switch to the desired position.


Position 1 - HI: High-speed wipe.

Position 2 - LO: Low-speed wipe.

Position 3 - AUTO: Automatic intermittent wipe. The rain sensor detects the rainfall on the windshield and automatically adjusts the wiping frequency of windshield wipers.

**Note:** Always keep the rain sensor free of dust, dirt or ice.


Position 4 - OFF: Wiper off.

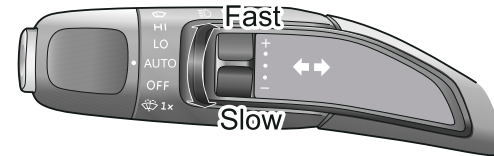
Position 5 -  1x: Washer. Turn the lever switch to the position. The washer will operate immediately. After a short interval, the

wiper will operate with the washer. The washer will be off when the lever switch is released.

**Note:** The wipers will continue to operate for 3 consecutive wipes after the lever switch is released, and operate for 1 wipe after 3 consecutive wipes.

### Intermittent wipe/variable interval

 **Worn wiper blades may not clear the windshield properly, thus reducing forward visibility and resulting in accident. Always renew worn wiper blades immediately.**



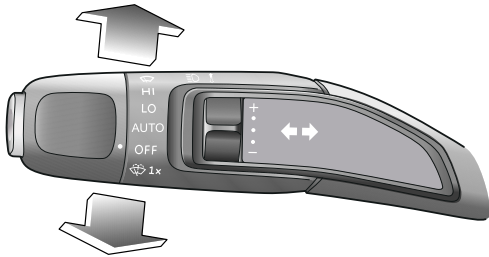
When the lever switch is in AUTO(automatic intermittent wipe) position, toggle the switch up and down to change the sensitivity of front wipers, and the rain sensor will adjust the wiping rate of front wipers.

# Before You Drive

## Caution

In freezing or very hot conditions, to prevent damage to the wipers, ensure the blades are not frozen or otherwise adhering to the glass, and clear the screen of obstructions such as snow. Do not operate wipers when the windshield is dry. It can scratch the glass, cause the blades to wear prematurely and obscure vision.

## Turn signals and direction indicators

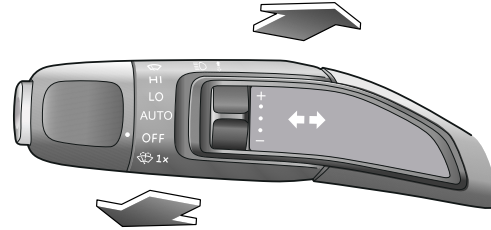


Right turn - push the lever switch upward.

Left turn - pull the lever switch downward.

The appropriate "direction indicators (green)" in the instrument cluster illuminate in time with the turn signals.

## Headlamp high and low beams



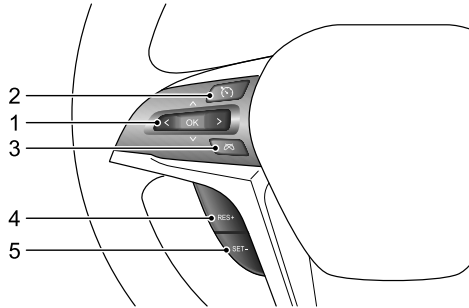
Push the lever switch away from the steering wheel, and turn on the high beam, in which case the switch will automatically restore to its original position. Push the lever switch away from the steering wheel again, and turn off the high beam, in which case, the switch will also automatically restore to its original position.

**Note:** The "headlamp high beam indicator (blue)" in the instrument cluster illuminates when the headlamps are on high beam. To flash the headlamps, slightly lift the lever switch intermittently towards the steering wheel.

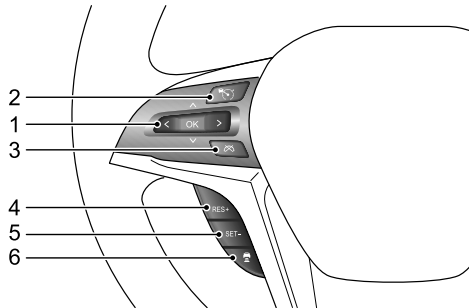
# Before You Drive


## Instrument cluster selection and cruise switch

### Type 1




### Type 2




Position 1 -  : Instrument cluster selection button. Press upward, downward, leftward or rightward to page up, page down, page left or page right on the instrument cluster; press OK button to confirm your selection.

1

### Cruise control system

Position 2 -  : Cruise on/off switch. Press this switch to turn on/off the cruise control system. The "Cruise control indicator" in the instrument cluster illuminates or goes out accordingly.

Position 3 -  : Cruise cancel switch. Press this switch to cancel the cruise function without clearing the set speed in the memory.

Position 4 - RES+ : Cruise recovery/acceleration switch. If there is a set speed stored, press this switch to resume that speed; press this switch again to accelerate (1 km/h increase per time).


Position 5 - SET- : Cruise setting/deceleration switch. Press this switch to set a speed. Then the cruise function will be enabled and the "Cruise control indicator" on the instrument cluster will turn green from white. If the cruise function is operating, press this switch to decelerate (1 km/h decrease per time).

**Note:** See "Cruise control system" in the Starting and Driving section for more description about cruise function.


# Before You Drive

---

## Adaptive cruise control (ACC)


Position 2 - : Adaptive cruise control master switch, short press to turn the system on.

When the adaptive cruise control is activated:

Position 3 - : Adaptive cruise control deactivation switch, short press to deactivate the adaptive cruise control without clearing the set cruise speed.

Position 4 - RES+: To increase the saved vehicle speed or re-activate the adaptive cruise control and restore the saved speed.


Position 5 - SET-: Decrease the stored vehicle speed.

Position 6 - : To set the following distance, adjust the following distance of the adaptive cruise control, and switch the following distance from Level 1 to Level 3 cyclically for each press.

## ICA (Integrated Cruise Assist)


Position 2 - : ICA main switch, long press to turn on ICA.

When turning on the ICA:

Position 3 - : ICA cancel switch, short press to deactivate ICA without clearing the set cruise speed.

Position 4 - RES+: Increase the stored vehicle speed.

Position 5 - SET-: Decrease the stored vehicle speed.

Position 6 - : To set the following distance, adjust the following distance of ICA, and switch the following distance from Level 1 to Level 3 cyclically for each press.

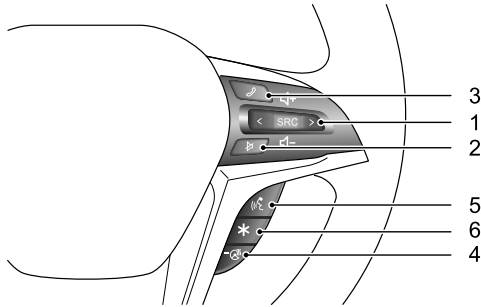
**Note:** See *"Driver assistance system" in Starting and Driving section for more descriptions about cruise control function.*



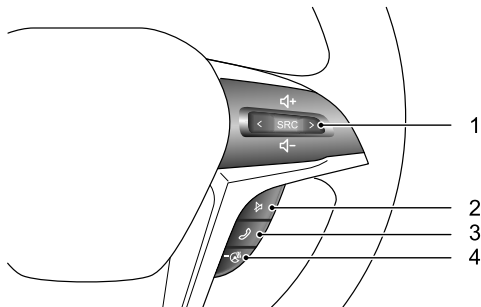
# Before You Drive


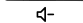

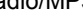
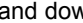
## Voice control, bluetooth phone, steering wheel heating and custom settings switch

### Type 1

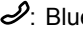


### Type 2



Position 1 -  : Sound source control switch. Press SRC switch the radio/MP3 player interface; press upward to increase the volume and downward to decrease; short press  to switch to the previous band/MP3 track; long press  to fast-backward; short press  to switch to the next band/MP3 track; long press  to fast-forward.

Position 2 -  : Mute switch.

Position 3 -  : Bluetooth telephone switch. When Bluetooth is connected, this switch is the Bluetooth phone answering switch. In the general calling state: when there is an incoming call, short press the switch to answer, and long press it to hang up; during the call, short press the switch to hang up, and long press it also to hang up; during the dialing, short press the switch to hang up, long press it also to hang up. During the call, if there is a call from a third party, short press the switch to hold the current call and answer the new call; long press it to hang up the new call and hold the original call. After the short-press, you can hang up the original call and answer the new call through the soft button on the entertainment system display.

### Automatic window closure for calling

If your vehicle is equipped with the automatic window closure for calling function, with the mobile phone Bluetooth connected to the head unit Bluetooth, when a Bluetooth phone is answered, or a call is made, a pop-up window on the entertainment system display indicates that the windows have been closed, you can go to the Bluetooth Settings page to cancel the automatic


## Before You Drive

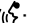
---


window closing operation according to the prompts on the pop-up window. Or directly in the Bluetooth Settings page, choose to turn on or off the automatic window closure for calling function.

### A/C automatic noise reduction in calling

If your vehicle is equipped with the A/C automatic noise reduction in calling function, with the mobile phone Bluetooth connected to the head unit Bluetooth, when a Bluetooth phone is answered, or a call is made, the A/C automatically reduces noise. You can go to the Phone Settings page on the entertainment system display and choose to turn on or off the A/C automatic noise reduction in calling function. When the function is turned on, the air conditioning system will automatically reduce the air volume when a Bluetooth phone is answered to reduce the noise impact.

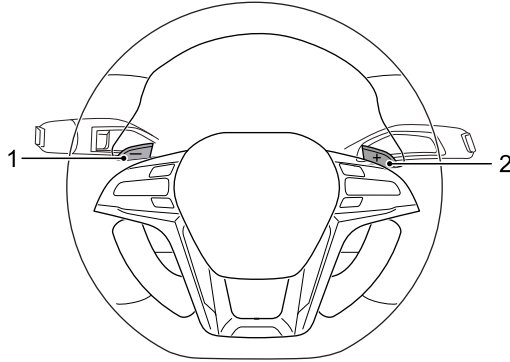
Position 4 - : Steering wheel heating switch. Press this switch to enable the steering wheel heating function, and the indicator illuminates. Press this switch again to disable the steering wheel heating function.

Position 5 - : Speech dialogue system switch. Press this switch to enable the speech recognition function; press again to disable the function.

Position 6 - : Custom settings switch. Press this switch to enable custom settings. Please use it in combination with the relevant functions supporting custom settings in the center console screen with Internet of Vehicles feature. For example, enter the Vehicle Settings, then select Steering Wheel, and set the custom settings switch (intercom/snapshot function):

- Intercom: set this mode to make calls between fleet members in fleet mode. Press the button to start a call and press again to end it. Please enter the fleet interface to set the application scenario.
- Snapshot: the snapshot function needs to be able to access a camera device, such as DDPAI. Please enter the smart device interface to add related smart devices.

## Manual shift paddle



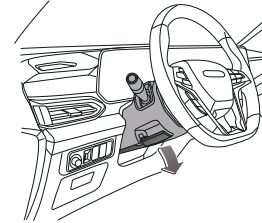
Position 1 - Downshift paddle -: Briefly press the manual shift paddle - to a lower gear.

Position 2 - Upshift paddle +: Briefly press the manual shift paddle + to a higher gear.

**Note:** See “8AT automatic transmission” in *Starting and Driving* section for more descriptions about manual shift paddle functions.

## Steering wheel adjustment

**!** Do not adjust the steering wheel position during driving. This is extremely dangerous.



Adjust the steering wheel position to adapt to your driving posture through the following steps:

- 1 Fully release the steering wheel adjusting handle on the steering column downwards;
- 2 Grasp the steering wheel firmly with both hands, and move the steering wheel upwards or downwards to adjust it to a proper position;

**Note:** If it is still difficult to move the steering wheel to a proper position, place the ignition switch in “ON” position to unlock the steering wheel, and turn the steering wheel to the straight forward position.

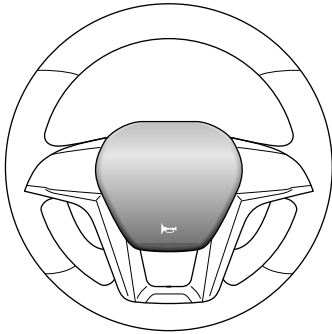
- 3 Select a proper driving position, and pull the steering wheel adjusting handle fully up to lock the steering wheel into its new position.

## Before You Drive

---

### Horn

The horn can operate when the button is pressed, regardless of the ignition switch position.



### Heating, ventilation and air conditioning (HVAC)

The air conditioning system cools the air and removes moisture and dust e.g. pollen.

The heating system utilizes the heat generated by the engine, so it can heat the air in the vehicle sufficiently only when the engine gets to the normal operating temperature.

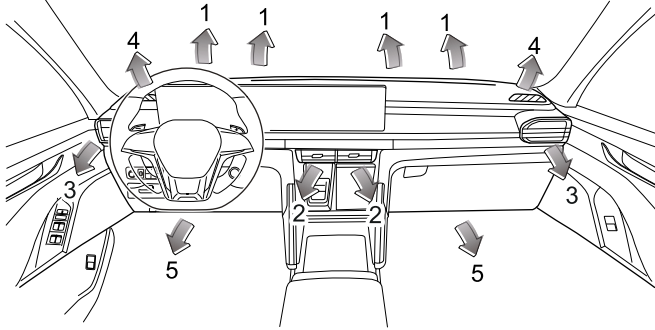
The ventilation system ensures the interior ventilation when the vehicle is moving.

The A/C air volume selection button is used to control the air volume.

HVAC is used to control the interior air cooling, heating and ventilation. Fresh air enters the vehicle through the air inlet grille under the windshield and flowing through the A/C filter. Always keep the air inlet grille clean and free of obstructions such as leaves, snow or ice.

# Before You Drive

## Front vents

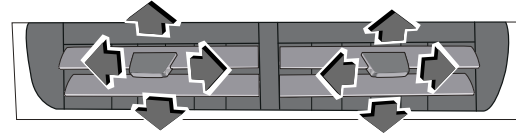


- 1 Windshield vents
- 2 Central vents
- 3 Side vents
- 4 Front door window vents
- 5 Front footwell vents

## Central vents

Move the lever in the central vent upward, downward, leftward and rightward to adjust the direction of the air blowing. Slide the lever in the central vent leftward and rightward to open or close the vent.

1

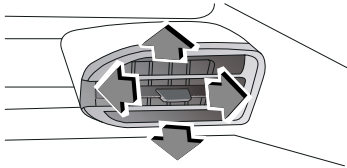


## Before You Drive

---

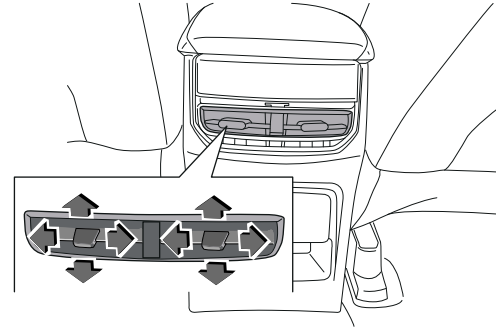
### Side vents

Move the lever in the central vent upward, downward, leftward and rightward to adjust the direction of the air blowing. Slide the lever in the central vent leftward and rightward to open or close the vent.

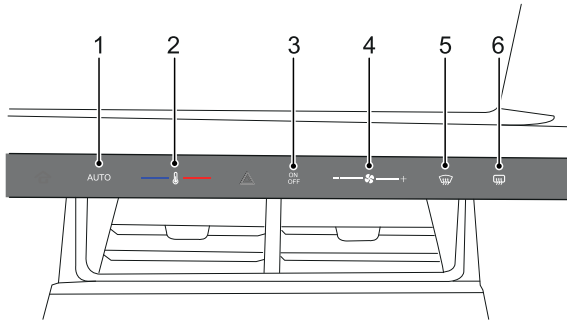


### Rear vents

Move the lever in the central vent upward, downward, leftward and rightward to adjust the direction of the air blowing. Slide the lever in the central vent leftward and rightward to open or close the vent.



## A/C control button



- 1 AUTO button
- 2 Temperature adjusting slider
- 3 Power button
- 4 Air volume adjusting slider
- 5 Front defrost button
- 6 Rear defrost button

### AUTO button

Automatic air conditioning control button.

Press AUTO button to enter full AUTO state, and all functions enter into auto working state; AUTO icon and AC indicator come on, in this case, the temperature adjusting slider can be pressed as needed to set the required temperature, based on which the

A/C system will automatically adjust the vehicle environment, in order to improve comfortableness and maintain constant temperature.

### Temperature adjusting slider

Adjust the A/C setting temperature.

With the panel turned on, the set temperature decreases when you slide to the left or click on the left; the set temperature rises when you slide to the right or click on the right. Temperature adjusting range: LO (17°C), 18°C - 32°C and HI (33°C).

### Power button

Air conditioning on/off button.

If the indicator illuminates, it indicates that the air conditioner is on, and the air conditioning functions will be enabled according to the status before shutdown; if the indicator goes out, it indicates that the air conditioner is off, and the air blower, compressor and other air conditioning functions are disabled.

### Air volume adjusting slider

To control the blower speed.

With the panel turned on, the set air volume decreases when you slide to the left or click on the left; the set air volume rises when you slide to the right or click on the right. There are 8 gears for air volume adjusting.

# Before You Drive

## Front defrost button

Switch on the front defrost state.

When the front defrost button is operated, the corresponding indicator illuminates, A/C is turned on at the same time, and the air outlet mode is switched to defrost; turning on this function has a rapid defrost and defog effect on the front windshield and side glass. In the front defrost state, press the front defrost button or other mode buttons again to exit the defrost state.

## Rear defrost button

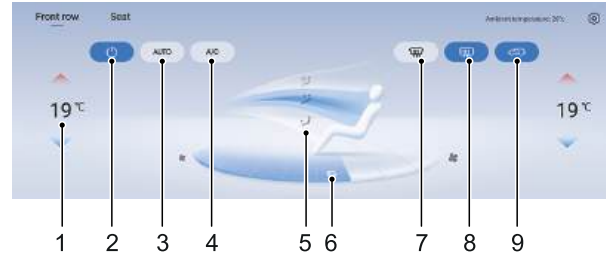
Switch on the rear defrost state.

When the rear defrost button is operated, the corresponding indicator illuminates, and the rear defrost function is enabled; turning on this function has a rapid defrost and defog effect on the rear windshield.

For vehicles with heated exterior rearview mirrors, the function of heated exterior rearview mirror will be enabled when the rear defrost button is pressed, to help remove fog or frost from the surface of the rearview mirror.

**Note: The rear defrost will stop after operating for 15 minutes, and its indicator goes off.**

## A/C operation and display interfaces on entertainment system screen



- 1 Temperature adjusting button
- 2 Power button
- 3 AUTO button
- 4 A/C button
- 5 Air outlet mode button
- 6 Air volume adjusting button
- 7 Front defrost button



- 8 Rear defrost button
- 9 Internal/external circulation button
- 10 Driver seat heating button
- 11 Front passenger seat heating button

## Temperature adjusting button

The front row A/C temperature adjusting button is used to adjust the required temperature of left/right A/C of front row A/C.

In any season, after the air conditioner is turned on, the A/C state will be adjusted as soon as possible, so that the temperature in the vehicle reaches the set temperature and remains stable.

There are 17 gears for temperature selection range; when the temperature is set to LO, the air conditioner is in the highest refrigerating power state; when the temperature is set to HI, the air conditioner is in the highest heating power state.

The set temperature of automatic air conditioner is between 22°C and 24°C, which is the recommended comfortable temperature.

If brief and continuous switching is performed between different set temperatures, the automatic air conditioner has no adequate time to be adjusted to the set temperature.

## Power button

Air conditioning on/off button.

If the indicator illuminates, it indicates that the air conditioner is on, and the air conditioning functions will be enabled according to the status before shutdown; if the indicator goes out, it

indicates that the air conditioner is off, and the air blower, compressor and other air conditioning functions are disabled.

## AUTO button

Turn on the automatic A/C function.

Press the AUTO button to enter the fully automatic state of the air conditioner, and the air volume, mode, circulation and other functions enter the automatic working state. In this case, the temperature adjusting button can be operated as needed for comfort level to set the required temperature, based on which the A/C system will automatically adjust the vehicle environment, in order to reach the target temperature and maintain stability in the vehicle at the maximum speed.

In AUTO state, when the mode, air volume and A/C buttons are operated, the AUTO indicator goes out, the corresponding functions will exit the AUTO state, and other unoperated functions will remain in auto state.

## A/C button

Switch on and off the compressor.

Operate the A/C button to illuminate the corresponding indicator; the air conditioner will turn on the compressor to cool the air in the vehicle, and has a certain dehumidification function.

The A/C indicator is always on in AUTO state (in automatic control state, which does not indicate that it is operating); if the A/C button is operated, A/C will exit the AUTO state and enter the state of manual control.

## Before You Drive

---

The compressor can only operate when the engine is running.

### **Air outlet mode button**

Adjust the air blowing mode.

Front row A/C air outlet mode is divided into face, footwell and window modes. The corresponding indicator illuminates, indicating that there is air outlet in this direction, and you can freely combine air outlet modes according to needs. It's recommended to blow the face with cool wind in summer, blow the feet with hot wind in winter, and blow the window when there is fog on the front windshield, which is more convenient for improving the comfort level in the vehicle.

### **Air volume adjusting button**

To control the blower speed.

There are 8 gears for air volume adjusting; air volume can be adjusted according to requirements for comfort level.

When the air conditioner is turned off, the A/C system can be turned on by setting air volume.

### **Front defrost button**

Switch on the front defrost state.

When the front defrost button is operated, the corresponding indicator illuminates, A/C is turned on at the same time, and the air outlet mode is switched to defrost; turning on this function has a rapid defrost and defog effect on the front windshield and side

glass. In the front defrost state, press the front defrost button or other mode buttons again to exit the defrost state.

### **Rear defrost button**

Switch on the rear defrost state.

When the rear defrost button is operated, the corresponding indicator illuminates, and the rear defrost function is enabled; turning on this function has a rapid defrost and defog effect on the rear windshield.

For vehicles with heated exterior rearview mirrors, the function of heated exterior rearview mirror will be enabled when the rear defrost button is pressed, to help remove fog or frost from the surface of the rearview mirror.

***Note: The rear defrost will stop after operating for 15 minutes, and its indicator goes off.***

### **Internal/external circulation button**

Internal/external circulation is switched through the button.

Operate the button to switch the A/C air inlet mode; external circulation indicates that the air enters the air conditioner from outside, and internal circulation indicates that the air circulates in the vehicle.

Internal circulation is recommended when refrigeration is required; external circulation is recommended when heating is required.

## Driver seat heating button

Switch the driver seat heating function, and the entertainment system displays the function state.

The driver seat heating button controls the driver seat to heat, and in no state the other A/C states can be changed by pressing the seat heating button.

## Front passenger seat heating button

Switch the front passenger seat heating function, and the entertainment system displays the function state.

The front passenger seat heating button controls the front passenger seat to heat, and in no state the other A/C states can be changed by pressing the seat heating button.

**Note:** *The seat heating function is enabled only when the vehicle is started, regardless of the A/C on/off.*

## Bluetooth phone noise-reduction button

After this function is turned on, the A/C system will automatically decrease the air volume when Bluetooth phone is connected, so as to reduce the noise effect.

## Air conditioning operating tips

- If the vehicle has been parked in direct sunlight, open the windows before operating.
- To clear misted windows on rainy days, operate the defrost button, which can decrease the humidity inside the vehicle timely and effectively. This is most effective during rainy weather and high humidity.
- Insufficient cooling may occur when driving in urban stop-and-go conditions.

**Note:** *If the air conditioning will not be in use for more than one month, run the engine at idle speed and turn on the system for more than 10 minutes (once every month, including in winter). This aims to maintain the proper lubrication of the compressor and the seals, so as to extend the service life of the system.*

**Note:** *Condensation may be formed on the evaporator when the A/C is operating. So you may find a small pool of water under the vehicle after the vehicle is stopped.*

# Before You Drive

## Rearview mirrors

The exterior rearview mirror glasses are convex shaped to broaden the field of view: this makes objects appear smaller and further away than they really are.

### Caution

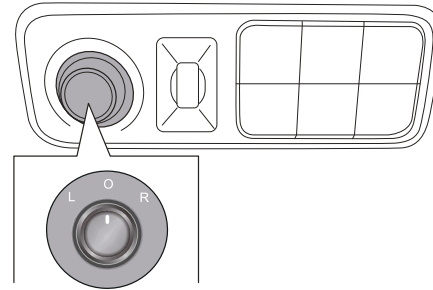
Always check all rearview mirrors for cleanliness and positioning before driving; clean and adjust if necessary.

## Exterior rearview mirrors

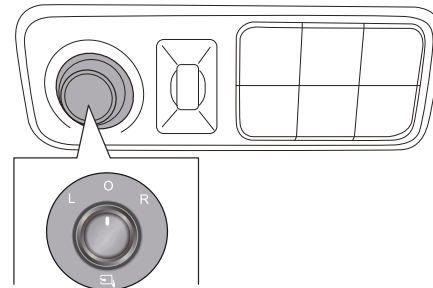
### Power rearview mirrors

Rotate the switch to L(left) or R(right) to select the rearview mirror to be adjusted. Move the rearview mirror switch towards front/rear/left/right to adjust the rearview mirror lens to tilt towards up/down/left/right to the position required. Turn the switch to the center.

### *Switches of rearview mirror not equipped with power folding function*



### *Switches of rearview mirror equipped with power folding function*



## Foldable rearview mirrors

### **Manual folding of rearview mirrors**


In order to ensure the safety of pedestrians, exterior mirrors will rotate from their normal mounting positions towards both sides if impacted with a strong force. Reset the rearview mirrors by applying little pressure onto the mirror frames.

### **Power folding of rearview mirrors**

For vehicles equipped with power folding rearview mirrors, it is allowed to fold/unfold exterior mirrors manually/automatically.

- Manual folding/unfolding of rearview mirrors

When rearview mirrors are folded, turn the ignition switch to "ACC"/"ON" position and move the switch to any of L/O/R position to unfold the rearview mirrors.

When rearview mirrors are unfolded, turn the ignition switch to "ACC"/"ON" position and move the switch to  position to fold the rearview mirrors.

**Note: For rear-view mirrors equipped with power-folding function, it is recommended that they should not be folded by hand in general, otherwise the rear-view mirror body may be damaged.**


- Automatic folding/unfolding of rearview mirrors

When rearview mirrors are folded and the ignition switch is placed in OFF position, use the key or remote key for unlocking, then rearview mirrors will be unfolded

automatically. In the other case, as long as there is a legitimate remote key existing within 1 meter around the vehicle, touching the micro switch on the driver or front passenger door handle will trigger the vehicle to unlock, and the rearview mirrors will be automatically unfolded.

When rearview mirrors are unfolded and the ignition switch is placed in "OFF" position, use the key or remote key for locking, then rearview mirrors will be folded automatically. In the other case, as long as there is a legitimate remote key existing within 1 meter around the vehicle, touching the micro switch on the driver or front passenger door handle will trigger the vehicle to lock, and the rearview mirrors will be automatically folded. Besides, when vehicle is unlocked but the doors are not opened, after 30 s, doors will be automatically locked again and rearview mirrors will resume to folding state.

## Heated rearview mirrors

For the vehicles equipped with heated exterior rearview mirrors, press the rear defrost button  on the A/C control panel to heat the exterior rearview mirrors lens.

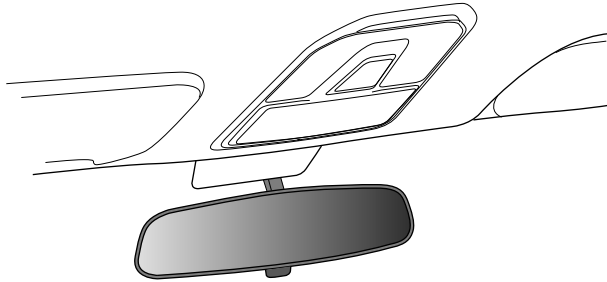
# Before You Drive

## Interior rearview mirrors

Adjust the rearview mirrors to obtain the required rear view.

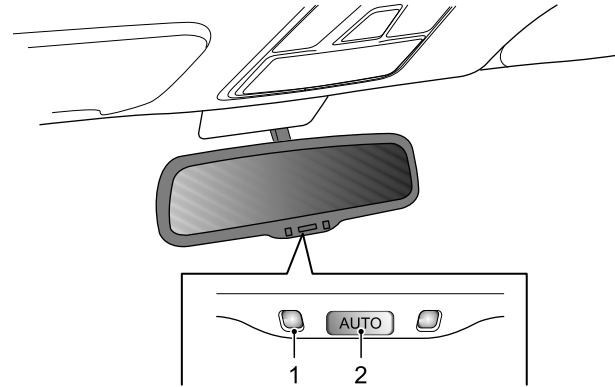
### Manual adjustment of interior rearview mirror

Operate the adjusting rods at the bottom of rearview mirrors to reduce the reflected glare when driving at night.



### Power adjustment of interior rearview mirror

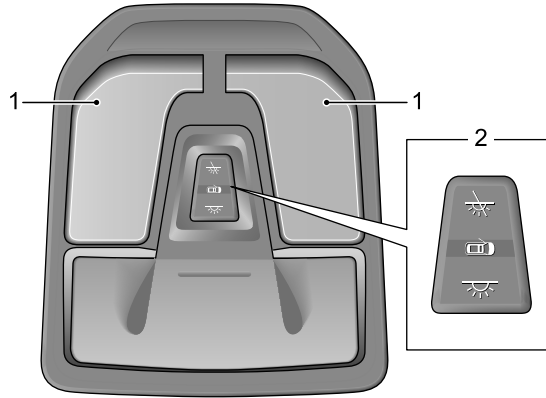
For vehicles equipped with power adjusting interior rearview mirror, press the button (2) on the rearview mirror bottom. Then the yellow LED lamp will illuminate and rear light sensor will start operating to reduce reflected glare during night driving. Press the button (2) again. Then the yellow LED lamp will go off and rear light sensor will stop operating.



- 1 LED lamp
- 2 AUTO button


## Interior equipment

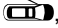
### Front roof vanity light



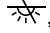
- 1 Left/right front roof vanity light control switch
- 2 Three-gear switch

#### **Front reading lamp control**

When the three-gear switch (2) is located at , the front roof vanity light is turned on.

When the three-gear switch (2) is located at , the front roof vanity light will automatically illuminate after any door is opened and go off 30s after the door is closed. After the door is closed,


press the left/right front roof vanity light control switch (1) to turn on and off the corresponding front roof vanity light.


When the three-gear switch (2) is located at , press (1) to turn on and off the corresponding front roof vanity light.

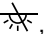
## Before You Drive

### Rear roof vanity light



When the three-gear switch is located at , the rear roof vanity light is turned on.

When the three-gear switch is located at , the rear roof vanity light will illuminate when any door is opened. The rear roof vanity light will go out automatically after the door is closed for about 30 seconds.

When the three-gear switch is located at , to turn off the rear roof vanity light.

**Note:** 15min after any door is opened, rear roof vanity light will go off automatically to prevent battery drain.

### 12V power socket

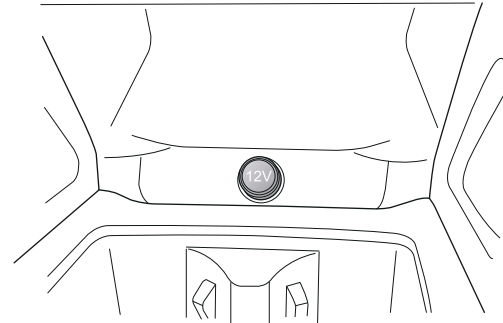
12V power socket provides power supply connection for external electric devices. The position of the 12V power socket on your vehicle shall be subject to the actual vehicle configuration you purchased.

#### Caution

Please avoid using the power socket for a long time when the ignition switch is placed in "ACC (unlocked)" position, which will lead to battery drain.

**Note:** The power socket can provide power supply for electric devices of which power is no more than 120W.

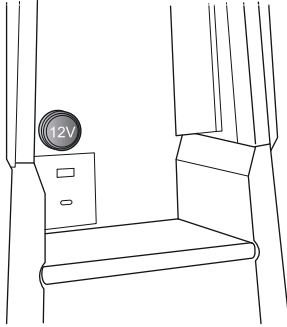
**12V power socket located at the center bottom of dashboard**





# Before You Drive

## 12V power socket in the center armrest



## USB port

USB ports are respectively located in the center armrest and on the rear bottom of central armrest, which are subject to the actual configuration of the vehicle you purchased.

1

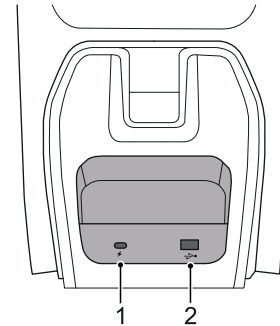
### Caution

Please avoid using the USB ports for a long time when the ignition switch is placed in "ACC (unlocked)" position, which will lead to battery drain.

## Type-C port and USB port in the center armrest

The type-C port can provide charging function. The USB port can also provide charging function and play multi-media files.

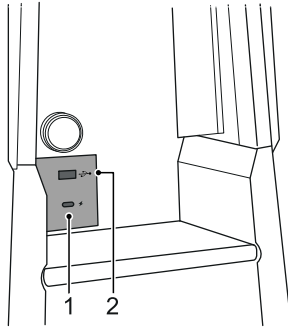
Type 1



## Before You Drive

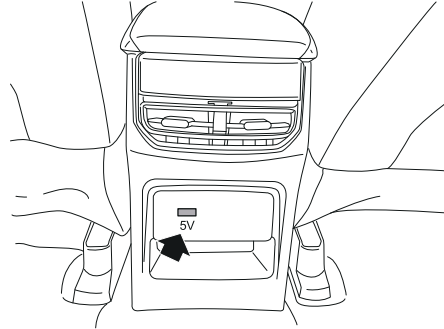
---

Type 2



- 1 Type-C port
- 2 USB port

**USB port located on the rear bottom of central armrest**  
USB port can only provide charging function.



# Before You Drive

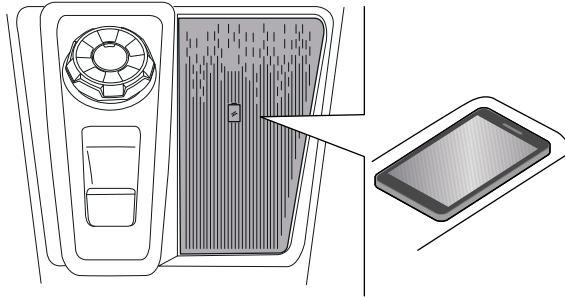
## Wireless charging system for mobile phone

**Note:** *It applies to vehicles with wireless charging system for mobile phone.*

If your vehicle is configured with wireless charging system for mobile phone, then the system will enable mobile phone to be charged wirelessly through electromagnetic induction without wires connected.

**Note:** *The wireless charging system does not apply to all mobile phones, but only to the "Qi" certified mobile phones.*

### Operations for mobile phone wireless charging



The mobile phone wireless charging system is located on the mobile phone pad in front of the auxiliary instrument panel. Place

the phone as shown in the above figure (the phone screen is upward), and try to fit the bottom of the phone slot.

When the mobile phone is being charged, the charging status icon will be displayed on the status bar of entertainment system screen (including 3 kinds of states: charging, charging completed, charging failure).

When the driver leaves the vehicle, if the vehicle detects that the mobile phone is still being charged, it will remind the driver to never forget the mobile phone through pop-up window on the center console screen and prompt tone.

**Note:** *When the low-frequency antenna of PEPS system searches for a key, the mobile phone wireless charging module may stop operating.*

#### Caution

Do not use wireless charging system for mobile phone for a long time when the vehicle is powered on but the engine is not started, which will lead to battery drain.

### Failure of mobile phone wireless charging

In case of any failure during charging, it may be caused by the followings:

- Low voltage of vehicle battery.
- Metal foreign matters are found in the charging area.
- Use a quite thick mobile phone shell.
- High temperature.

## Before You Drive

---

- Internal failure of wireless charging system for mobile phone.
- Failure of mobile phone.

### Caution

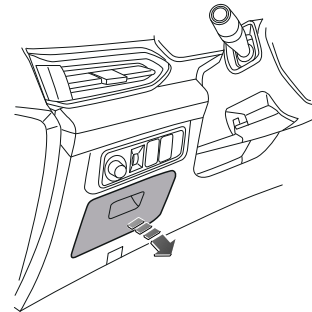
- When driver is not in the vehicle, please do not place the mobile phone in the vehicle for charging, to avoid potential safety hazards.
- When charging, please do not place coin, key, chip card and other metal foreign matters in the charging area, which may cause the metal to be heated, resulting in charging failure and safety accident.
- Do not spill liquid in the charging area, to prevent the liquid from entering the wireless charger through the gap of rubber mat, resulting in charger failure.
- Mobile phone charging may stop when the temperature is high, and will continue after the temperature drops.

## Storage box

### Storage box on the driver side

The storage box at driver side is located below the dashboard at driver side. It can be opened by releasing the storage box upper buckle.

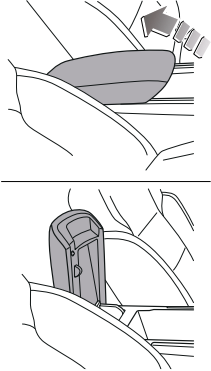
**Note: It applies to vehicles equipped with the storage box on the driver side.**



# Before You Drive

## Storage box below the front armrest

Pull the armrest upward to open the storage box.

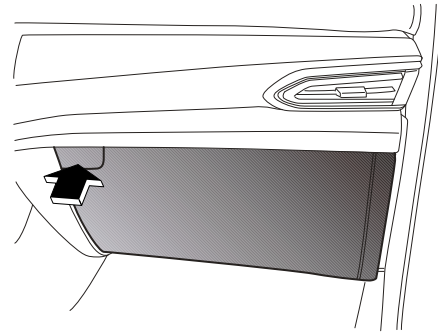


## Glove box

**!** Do not stow sharp, heavy or dangerous objects in the glove box at the passenger side.

Driving with the glove box open may cause injury in the event of an accident or sudden stop. Keep the glove box closed when driving.

Press the button on the upper left side of glove box to open the glove box (if your vehicle is equipped with a glove box lock, you need to insert the key and turn it counterclockwise to unlock). Close it with a firm push.



1

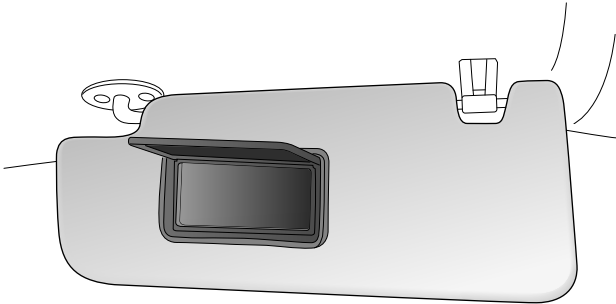
# Before You Drive

## Sun visor and vanity mirror

Both sun visors can be flipped to the upright position or close to front windshield, to block the sunlight entering the vehicle through the front windshield. In addition, the sun visors can be pulled out from the hook, flipped to the side door window, and used for blocking the side sunlight.

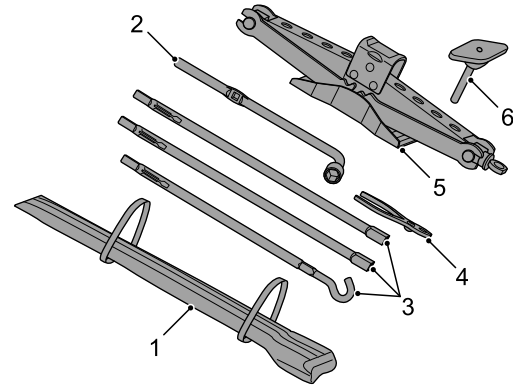
Turn a sun visor downwards and open the vanity mirror cover to use the vanity mirror.

Driver's vanity mirror shall be used only when the vehicle stops.



## Vehicle tools

The vehicle tools are placed under the second row seat.



- 1 Vehicle toolkit
- 2 Wheel nut wrench
- 3 Auxiliary rotary post of jack
- 4 Fish-lip pincer
- 5 Jack
- 6 Retaining bolts for vehicle tools

## Entertainment system

The contents of this Handbook are simple instructions for the operation of the product. Please read carefully and fully understand the operating instructions accompanied with the entertainment system mainframe before you use this product.



**Please do not install or repair your product without authorization.**

**If the product is installed or repaired by a person who does not receive the training on electronic equipment and auto parts, a dangerous situation may be posed.**

**According to the relevant national regulations, watching videos and related operations are prohibited when driving, for the personal safety of yourself and others. Please do not watch the screen and perform related operations when driving a vehicle.**

**Please pay attention to all precautions mentioned in this section of the Handbook and strictly follow the operating instructions.**

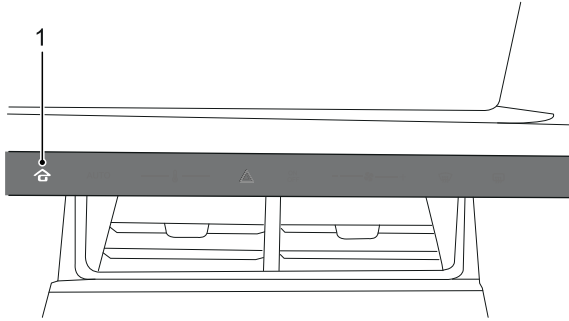
**Never expose the product to any liquid, otherwise short circuit or damage may be caused.**

**The rear view camera function of the system just serves as a driving assist. Please pay attention to the actual situation.**

### Caution

- The product shall be kept away from moisture. If the product is started for the first time or reconnected after the disconnection of vehicle power supply, the date shown on each interface of the mainframe needs to be adjusted manually. Be sure to drive safely. Make sure to follow the rules of safe driving and existing traffic regulations.
- Do not operate the product (and the rear view camera function) if it may distract you from safe driving.
- If you have to operate by watching the screen, park the vehicle in a safe place and apply the parking brake.
- Do not set the volume of the product too high, or you will not be able to hear the traffic and emergency signals outside.
- For the sake of safety, some features, such as video playback, will be disabled when driving.
- The system can detect the running speed of the vehicle. When the speed exceeds a certain value, the system will prevent you from watching video while driving. If you want to watch the video, park the vehicle in a safe place and apply the parking brake.
- In order to protect the battery from running out, please make sure to start the vehicle when the system is used.
- The pictures in this Handbook are schematic diagrams which may be slightly different from the real car in details and are for reference only. As for the specific colors and functions of the interface, please refer to the real vehicle.

# Before You Drive



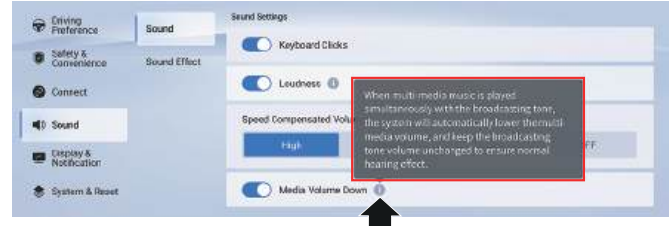
## 1 HOME Button

Short press the HOME button (1) to return to the HOME page from other interfaces; if the current page is the HOME page, this action is invalid.

Long press the HOME button (1) for about 10 seconds to restart the entertainment system.

The use guide and help of the entertainment system are presented on the relevant pages of each function. The specific presentation is as follows:

Click icon **i** to expand the corresponding instructions for the function. The specific style is as follows:



**Note:** As the entertainment system software will continue to be updated and iterated, the pictures in this manual are only schematic diagrams, which may be slightly different from this vehicle. They are for reference only, and the actual vehicle status shall prevail.



## Starting and Driving

---

- 94 Before starting and driving
  - 94 Ignition switch
  - 96 PEPS system
  - 99 Engine immobilizer
  - 100 Starting/stopping the engine
  - 101 Driving
  - 103 Catalytic converter
  - 108 Fuel
  - 110 Urea
  - 111 Manual transmission
  - 112 8AT automatic transmission
  - 118 Power steering unit
  - 118 Four-Wheel Drive (4WD)
  - 123 Brake system
  - 133 Cruise control system
  - 135 Parking assist system
  - 140 Driver assistance system
  - 158 Tires
  - 160 Loading
  - 162 Trailer towing
-

# Starting and Driving

---

## Before starting and driving

- Ensure that the daily/weekly maintenance checks have been done as detailed in the section "Maintenance and Service - Owner's Check".
- Check that the seat is in the right position.
- Check that the adjustment of all the rearview mirrors is in place.
- Check that all lights, signal systems and warning indicators operate normally.
- Check that all passengers have correctly fastened seat belts.

Move the ignition switch in "ON" position, and check all warning lights and gauges operate normally. Please see "Warning lights and indicators" in Before You Drive section.

### Caution

Be sure you have read the "Before You Drive" section of this Handbook and a good understanding of your vehicle and its equipment before reading this section.

## Ignition switch

### Keyless start



**Note:** *The vehicle is equipped with an one touch start switch, that is, the ignition switch for button-type start. To start the vehicle, the remote key with PEPS feature must be in the vehicle. For an AT model, if you want to move the shift lever out of P position, you must depress the brake pedal with the ignition switch placed in ON position.*

# Starting and Driving

## ACC - red light

- Abnormal parking

When the engine is running and the shift lever is not in N gear (for MT models) or P gear (for AT models), press this button and the ignition switch will switch to ACC.

- Emergency flameout

When the vehicle speed is higher than 5km/h during driving, press the ignition switch for 3 times within 3s, the ignition switch will switch to ACC.

## ON - green light

When the engine shuts down and the starting conditions are not met, press this switch once, the ignition switch will switch to ON; after the engine is normally started, the ignition switch will switch to ON; when in ON state, all instruments, control devices and circuits can operate.

**Note: If the ignition switch is still placed in ACC or ON position after engine shutdown, the battery power will be drained. The vehicle may be unable to start if the battery power drain time is too long.**

## START - green light

This position is used for starting the vehicle. When the engine shuts down, there is a valid remote key in the vehicle and the starting conditions are met, press the ignition switch, and the engine will be started.

## Starting conditions:

- Manual transmission

Place the shift lever in N position.

Depress the clutch pedal all the way down and hold it.

- Automatic Transmission

The shift lever will be adjusted to "P" or "N".

Depress the brake pedal and hold it.

## OFF

The engine shuts down when the shift lever is switched to this position. When the shift lever is placed in N gear (for MT models) or P gear (for AT models), press this switch and the ignition switch will switch to "OFF".

### Caution

When the vehicle is close to strong radio antenna signals, there may be an interference effect on the remote door lock system and the ignition switch will not work.

# Starting and Driving

---

## PEPS system

### Keyless unlocking

When all doors are locked, enter the sensing area with a remote key and press the micro switch on the door handle, the central lock will unlock automatically. After unlocking, turn signal lamps will flash twice. If you do not conduct any of the following operations within 30s after that, the central lock will automatically lock again:

- Open any door
- Shift the power supply position to a non-OFF position
- Operate the central lock to unlock/lock

**Note:** *It is feasible to unlock doors with the central unlocking button on the remote key. Press the central unlocking button once, and the central lock will unlock automatically.*

### Keyless locking

When the driver's door or front passenger door is unlocked, enter the sensing area with a remote key, and then press the micro switch on the door handle. The direction indicators will flash once, meanwhile the alarm horn will ring once for a short time (as appropriate). Then all doors will be locked, meanwhile the vehicle enters the fortification state. In any of the following cases, the doors will not be locked after the micro switch is pressed:

- The power supply switch is placed in non-OFF position
- The remote key is left in the vehicle
- The remote key is not in the sensing range
- The remote key battery is low
- The driver's door is open

**Note:** *It is feasible to lock doors with the central locking button on the remote key. Press the central locking button once, and the central lock will lock automatically.*

# Starting and Driving

## Keyless start

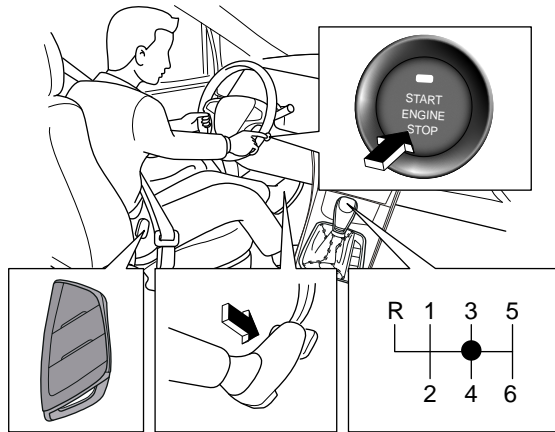
When the remote key is left in the vehicle and the starting conditions are met, press the ignition switch once at this time, and then the engine will be started.

Starting conditions:

- Manual transmission

Place the shift lever in N position.

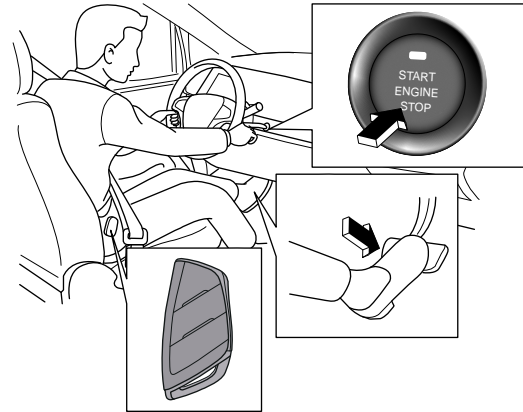
Depress the clutch pedal all the way down and hold it.



- Automatic Transmission

The shift lever will be adjusted to "P" or "N".

Depress the brake pedal and hold it.



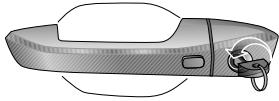
**Note:** If the starting conditions are not met, every time you press the ignition switch, the power supply positions will be switched among OFF and ON in a cycle. If the remote key is not in the vehicle, after depressing the brake pedal (for AT models) or clutch pedal (for MT models), the indicator will not go on; the power supply position switching or ignition action will not be performed after the ignition switch is pressed.

# Starting and Driving

---

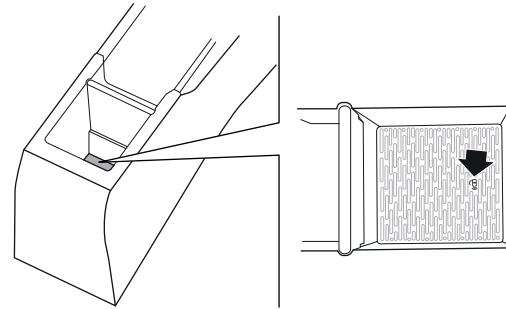
## Backup starting

When the remote control battery is low, the keyless entry function will fail, but you still can start the engine. Open a door with the mechanical key and enter the vehicle. At this time, the system may be in IMMO state and the alarm may be triggered, which is a normal situation.



On the premise that the starting conditions are met, pull up the armrest, place the key flat on the marked place in the storage box at the rear, and press the ignition switch to start the engine.

On the premise of meeting starting conditions, pull up the armrest, lay the key flat in the position with an identification in the storage box, and press the ignition switch to start the engine.



## Emergency flameout

If you need to shut down the vehicle immediately during driving due to an emergency, please press the ignition switch three times within 3 seconds.

## Engine immobilizer

### Keys

The key has been coded electronically for your vehicle. The coded key can be used for the corresponding vehicle only. Only the keys attached with the vehicle can start your engine.

For a vehicle equipped with the PEPS system, its engine can not be started only when the remote key is in the vehicle.

When the immobilizer is effective, any illegal behavior to start the engine will be prohibited.

### Enable/disable

For a vehicle equipped with the PEPS system, when the ignition switch is placed in "ON" position, if the authentication succeeds, the "IMMO warning light (yellow)" on the instrument cluster will keep off. If the "IMMO warning light (yellow)" flashes, it is shown that the immobilizer goes wrong and the engine cannot be started. Contact Our Service Dealer for service immediately. If the remote key is not in the vehicle or there is certain interference, the message center on the instrument cluster will display the prompt "Key not in the vehicle". If the battery of remote key shall be replaced, the message center on the instrument cluster will display the prompt "Please replace the battery of remote key". Please replace the battery of remote key as soon as possible.


***Note: The remote key contains a microchip which guarantees the fault-free data exchange between the key and the vehicle. Do not shield the key with a metal object (such as another key). Prevent it from severe impact. The quantity of keys hung on the keyring shall not exceed 1.***

# Starting and Driving

---

## Starting/stopping the engine

### Starting

 CO is a harmful gas and may cause coma, even death. Avoid inhaling vehicle exhaust because it contains colorless, odorless and tasteless CO. Do not start the engine or keep the engine running in an airtight and unventilated place. If you find there is exhaust in the vehicle, find out the cause as soon as possible and handle it. If you have to operate in this kind of environment, please open all windows completely.

- Manual transmission

Place the shift lever in N position.

Depress the clutch pedal all the way down and hold it.

- Automatic Transmission

The shift lever will be adjusted to "P" or "N".

Depress the brake pedal and hold it.

### Vehicles equipped with diesel engine

Place the ignition switch in ON position, and wait for the "glow plug indicator (yellow)" on the instrument cluster to go off. Press the start-stop switch once at this time, and then the engine will be started. After the engine begins running, release the start-stop switch immediately, and the ignition switch will automatically return to "ON" position.

*Note: During starting, do not keep the starter running for 10s above. If the engine is not started, wait for at least 30s after turning off the ignition switch and try again. As the ambient temperature declines, the engine starting time may increase correspondingly. Therefore, please turn off all unneeded electrical appliance temporarily during starting. At a weather with the temperature below -25 °C, please park the vehicle in the garage.*

#### Caution

Avoid high-speed and full-throttle running before the engine reaches the operating temperature.



## Warm-up

When the engine temperature is relatively low, there will be a poor effect if the engine is warmed up with the vehicle in stationary state. It is recommended to drive the vehicle as soon as possible after the engine is started.

## Self-protection mode

In case of an engine fault which may affect the driving performance during driving, the engine system will enter the "self-protection mode". In this case, the "engine malfunction warning light (yellow)" on the instrument cluster will start flashing or stay on. Please contact our service dealer for service immediately.

## Stopping

Turn the ignition switch from "ON" to "OFF" position to shut down the engine.

The electrical parking brake will be applied when pulling up the electrical parking brake (EPB) switch.

### Caution

Keep the engine idling for 10s before shutdown, in order to ensure the turbocharger bearing is fully lubricated during the deceleration.

## Driving

### "Running-in" of new vehicle

This vehicle requires no deliberate "running-in", but in order to enhance the long-term running performance, we strongly recommend the following:

Within the first 3,000km:

- Avoid driving too briskly and vary the speed frequently.
- Never depress the accelerator pedal to the lowest position at any gear.
- Do not keep the engine run slowly with difficulty at any gear.
- If possible, avoid undue heavy braking.


After the mileage reaches 3,000km, you can gradually increase the vehicle speed to the maximum admissible speed.



**Avoid using high engine speed to protect the engine, reduce fuel consumption, lower engine noise level and protect the environment.**

# Starting and Driving

## Driving

 **When driving, never place any portable container with fuel on the vehicle. Otherwise it may leak and a fire may result.**

### Caution

During driving, do not place your foot on the clutch pedal for rest; otherwise the clutch may be worn/damaged.

When driving on a risky road covered with water, snow, ice, mud, sand, etc., please:

- Slow down, drive with care and reserve longer brake distance.
- Avoid any sudden operation during braking, steering or acceleration.
- Apply sand or other anti-skid material under the drive wheels or install tire chains on them to provide the traction needed when the vehicle gets stuck in ice, snow or mud.

## Skid

If your vehicle skids on a wet road, you cannot control the vehicle due to the decrease of friction force between the road and tires. Different road surfaces, tire inflating pressures and vehicle speeds may lead to skid. Skid is very dangerous.

The optimum method to stop skid is lowering driving speed and keep cautious when you feel the road is wet enough.

## Wading driving

In order to avoid damage to your vehicle, when passing a road with gathered water, please:

- Confirm the water depth before the wading driving. The maximum wading depth of the vehicle is 55 cm.
- Do not drive faster than 10 km/h.
- The wave caused by front vehicle and head-on vehicle may exceed the maximum allowed wading depth.
- To avoid damage to your vehicle, please drive away from the flooded road as soon as possible.

### Caution

If the vehicle stalls in water due to an accident, DO NOT restart the engine. Please contact Our Service Dealer immediately.

 **Water and mud can affect the braking system and lengthen braking distance, leading to an accident!**

- Slightly depress the brake pedal to keep brake parts dry and recover performance.
- Do not conduct an emergency brake when passing a slippery road.

**Note:** *The engine, drive system, transmission and electronic system of the vehicle may be severely damaged after the vehicle drives on a road with gathered water. Salt water is corrosive. The on-board components soaked by salt water must be washed with clean water.*

## Catalytic converter



**The catalytic converter will release a lot of heat (even within a short time after engine shutdown), which may cause a fire.**

**Do not operate or park the vehicle on any flammable object (such as paper, dry grassland or dry fallen leaves).**

**When the engine is running or after it is shut down within a certain period, and before the catalytic converter cools down, prevent any body parts from contacting the exhaust system.**

The catalytic converter installed in the exhaust system is used for reducing exhaust pollution.

### Caution

In order to protect the catalytic converter from being damaged, the following precautions must be observed:

- Use the fuel suitable for your vehicle. The Company assumes no responsibility for the mistake of filling a wrong type of fuel. If you fill a wrong type of fuel carelessly, contact our service dealer for service immediately. Do not start the engine.
- If the vehicle is difficult to start or driving performance degrades during driving, please drive the vehicle at low speed to our service dealer nearby for service.
- Do not drive with the fuel level extremely low. Running out of the fuel in driving may cause the engine unable to start.
- Do not start the vehicle by pushing or dragging.
- Do not shut down the engine during driving.

# Starting and Driving

## Precautions for Use of DPF (Diesel Particulate Filter)



**Note:** *It applies to diesel-engine vehicle equipped with DPF (diesel particulate filter).*

The main function of DPF is to collect particles in vehicle exhaust, and to remove particles collected in DPF through active and triggered regeneration in a certain period to achieve the function of recovering DPF to collect particles. Active regeneration refers to the function that the engine automatically starts to remove the particles in DPF collected from vehicle exhaust according to actual working conditions. Triggered regeneration refers to the regeneration that the current working conditions of the engine cannot meet the conditions for active regeneration and requires human intervention.

### DPF virtual-button regeneration (applicable to vehicles equipped with such function)


#### *Instrument alarm prompt*

Level 1 alarm prompt: "Please drive at high speed or safely trigger DPF regeneration in situ" is continuously displayed on the instrument cluster message center; the "DPF warning light

 (yellow)"  on the instrument cluster stays on. The status ball (Application Center -> System Application -> DPF Status) of DPF on the entertainment system screen is displayed as yellow "Regeneration recommended" pattern, the "Start DPF

regeneration" button is highlighted and in triggerable state, and the buzzer prompts once.

Level 2 alarm prompt: "Ensure safety, and immediately trigger DPF regeneration in situ" is continuously displayed on the instrument cluster message center; the "DPF warning light (yellow)" on the instrument cluster flashes at a frequency of

1 Hz . The status ball (Application Center -> System Application -> DPF Status) of DPF on entertainment system screen is displayed as red "Regeneration necessary" pattern, the "Start DPF regeneration" button is highlighted and in triggerable state, and the buzzer prompts once.

When the particle value exceeds the upper limit of DPF level 2 alarm value, the status ball (Application Center -> System Application -> DPF Status) of DPF on entertainment system screen is displayed as red "Regeneration necessary" pattern, the "Start DPF regeneration" button is changed to the "Immediately reset DPF" button and highlighted, obtain the authorization code for resetting DPF particle value from the service station to perform the reset operation.

During the process of regeneration, the status ball of PDF on the entertainment system screen will display DPF regeneration progress "xx%", and "DPF regeneration is in progress, please wait patiently" character prompt will show on the right side simultaneously.

After the regeneration is completed, the entertainment system screen briefly pops out "DPF regeneration has been completed!"

# Starting and Driving

, and the "DPF warning light (yellow)" on the instrument cluster goes out.

If regeneration cannot be entered, the instrument cluster will display "DPF cannot be regenerated due to xx (display reason code) reason, \*\* (display the operation content suggested to users)", and the entertainment system screen will pop up the corresponding operation content suggested to users according to the reason of non-regeneration. DPF cannot be regenerated due to xx (display reason code) reason, reason code, corresponding reason and operation content suggested to users are as follows:

- 0: Engine is not started - please start the engine before operation
- 1: Coolant is not within a proper temperature range - please warm up engine until water thermometer exceeds the initial line
- 2: Engine oil is not within a proper temperature range - please warm up engine first
- 4: Fuel is not within a proper temperature range - please warm up engine first
- 5: Insufficient battery voltage - please charge first
- 6: Clutch depressed - please release the clutch pedal before operation
- 7: Not in N gear - please shift into P gear or N gear before operation
- 8: The vehicle speed is not equal to zero - please park the vehicle before operation
- 9: Engine speed is not within a proper range - please release the accelerator pedal
- 10: Engine torque is not within a proper range - please release the accelerator pedal
- 11: Accelerator pedal is not released - please release the accelerator pedal
- 12: The upstream temperature of DPF is not within the proper range 1 - please warm up engine first

- 13: The upstream temperature of DPF is not within the proper range 2 - please idle for 3 minutes and try again
- 14: The upstream temperature of DOC (Diesel Oxidation Catalyst) is not within the proper range 1 - please warm up engine first
- 15: The upstream temperature of DOC (Diesel Oxidation Catalyst) is not within the proper range 2 - please idle for 3 minutes and try again
- 16: DPF particles are not within the set range - DPF has been seriously overloaded, please contact the service station for reset
- 17: There are faults related to DPF - vehicle is faulty, please contact the service station for treatment
- 18: There are faults related to engine - vehicle is faulty, please contact the service station for treatment
- 19: The maximum allowable regeneration time is exceeded - regeneration is not completed, please start the engine after being shut down for 3 minutes. Click "Start regeneration" button again
- 20: The upstream temperatures of DOC (Diesel Oxidation Catalyst) and DPF do not reach the target value within the allowable time range 1 - please idle for 3 minutes and try again
- 21: The upstream temperatures of DOC (Diesel Oxidation Catalyst) and DPF do not reach the target value within the allowable time range 2 - please idle for 3 minutes and try again
- 22: The maximum allowable temperature 1 of upstream DPF is exceeded - please idle for 3 minutes and try again
- 23: The maximum allowable temperature 2 of upstream DPF is exceeded - please idle for 3 minutes and try again
- 24: The maximum allowable temperature 1 of upstream DOC (Diesel Oxidation Catalyst) is exceeded - please idle for 3 minutes and try again
- 25: The maximum allowable temperature 2 of upstream DOC (Diesel Oxidation Catalyst) is exceeded - please idle for 3 minutes and try again
- 26: Regeneration of service station is not activated - regeneration command of service station has not been sent, please click again DPF "Start regeneration" button

# Starting and Driving

27: Brake pedal is not released - please release brake pedal before operation

## Activate regeneration steps

- 1 Stop the vehicle; with the MT model in N gear (AT model in P gear), activate the parking brake, and turn off the ignition switch for 2 minutes;
- 2 Start the vehicle;
- 3 Press "Start DPF regeneration" button (Application Center -> System Application -> DPF Status) on the entertainment system screen, and DPF regeneration will start;
- 4 If the entertainment system screen displays "Immediately reset DPF" button (Application Center -> System Application -> DPF Status), please follow the prompts on the entertainment system screen, contact our service dealer for obtaining the authorization code for resetting DPF particle value, and after DPF particle value is reset, repeat the Step 3 to start regeneration.

**Note:** *If the engine speed rises to 2,000 rpm, it indicates that the regeneration is triggered successfully; otherwise it is unsuccessful. Turn off the ignition switch and wait for 2 minutes, and then operate again according to the above steps. After the regeneration starts, unless you have to drive, please stay in N gear (for MT models)/P gear (for AT models) and keep the vehicle in stationary state. Do not perform other operations (e.g. depressing the brake pedal,*

***the clutch pedal, the accelerator pedal, etc.) until the engine speed returns to idle speed.***

### Caution

DPF regeneration temperature is very high, please park the vehicle in an open and ventilated place, and make sure there are no inflammables (e.g. hay, oil, etc.) around during its usage. If the regeneration fails for several times, please go to our service dealer for processing.

## Conditions of regeneration

- The DPF is overloaded, and the particle value exceeds the set value (the instrument panel has level 1 and level 2 alarms).
- The water temperature is above 40 degrees Celsius.
- No DPF-related function error.
- The vehicle speed is 0, the MT model is in N gear, and the AT model is in P gear.

## Possible causes of regeneration failure

- The clutch pedal is depressed.
- The MT mode is not in N gear, and the AT model is not in P gear.
- The vehicle is not stationary state (The vehicle speed is not zero).
- The accelerator pedal is depressed.
- The brake pedal is depressed.

# Starting and Driving

---

- The engine conditions are not satisfied (for example, the water temperature is too low and the exhaust temperature is too high).
- The engine has DPF-related fault(s).
- The regeneration steps were not followed.

## Regeneration steps for high load driving

- 1 Carry out high-load conditions cycles, such as high-speed driving (vehicle speed is maintained at 80km/h and above);
- 2 Drive the vehicle for about 30 minutes.

## Special driving conditions

Under the following circumstances, the vehicle has almost no triggered regeneration, and the efficiency of active regeneration is generally low or even zero, requiring the attention of the driver to try the best to avoid:

- Repeatedly start and stop the vehicle.
- Operate the vehicle at a low speed and a low load for a long time.
- The vehicle idles for a long time in stationary state.

### Caution


The cumulative amount of DPF carbon deposition will increase after a long time idling. If your vehicle needs to keep operating at idle speed for a long time, when the active regeneration function of the vehicle is enabled, please depress the accelerator actively to make the engine speed reach 2,000 ~ 2,500 rpm to assist regeneration.

2

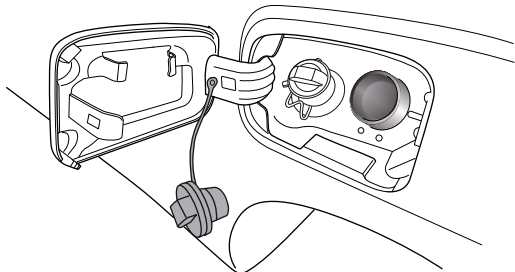
# Starting and Driving

## Fuel


### Fuel filler cap

Before opening the fuel filler cap, please turn on the fuel filler flap opening switch  on the driver's door first, and then open the fuel filler flap from the vehicle interior.

Rotate the fuel filler cap counterclockwise to remove it, and secure it on the bracket of the filler flap, then refuel. After refueling, 3 clicks need to be heard when tightening the fuel filler cap clockwise, which indicates that the fuel filler cap has been tightened in place, then close the fuel filler flap.



## Refueling

 It is prohibited to mix fuel with engine oil, kerosene, paraffin, water or other liquids for use, which may damage the fuel system.

**Do not fill so much fuel that the fuel can be seen in the filling port or overflows, leading to a fuel contact risk for you and other persons.**

Please select the required fuel according to the tag on the filler port of fuel tank. See "Main engine parameters" in General Technical Parameters section.

### Caution

- It is recommended to use high-quality fuel free of additive or other engine cleaner.
- If you fill a wrong type of fuel by accident, contact Our Service Dealer for service immediately. Do not start the engine at this time. If the engine is started with a wrong type of fuel filled, the fuel system components will be damaged severely. This kind of damage is not covered by warranty.



**In order to prevent fuel from overflowing, please stop refueling when the fuel filler nozzle is automatically closed. If you continue refueling at this time, the fuel tank will be overfilled and the fuel will overflow when the outdoor temperature is high or the vehicle makes a turn.**



## Saving fuel

Fuel consumption is mainly influenced by three factors:

- Vehicle maintenance mode
  - Please go to Our Service Dealer for regular maintenance of the vehicle in accordance with the provisions in the "Warranty and Maintenance Manual".
  - Check the tire pressure periodically.
- Vehicle driving mode
  - Avoid high-speed driving at low gears (the gear shall be shifted), otherwise the vehicle will consume more fuel.
  - Frequent cold start and/or short-distance driving consumes a lot of fuel.
  - The vehicle will consume a lot of fuel when driving on a blocked or winding road or driving uphill.
  - Pre-consider possible risks to avoid emergency brake.
  - Make sure the parking brake is released completely during driving.
- Vehicle Load
  - The heavier the load is, the higher the fuel consumption is. Do not add unnecessary load.



The following driving precautions will help you to save fuel and protect the environment.

- Ensure the tire pressures are correct.
- Avoid accelerating immediately after starting, and avoid depressing the accelerator pedal all the way down.
- The driving time at low gears shall not be excessively long.
- Try to use the top gear when the engine runs steadily.
- Pre-consider possible barriers, crossroads, sharp bends or traffic lights, and adjust vehicle speed correspondingly in advance.



- If it is predicted that the traffic may be blocked for a long time or it is required to wait for a long time, please shut down the engine if allowed by safety conditions.

## Precautions for cold weather



It is prohibited to use lamp oil (kerosene) as the additive.

In order to reduce possible problems which may occur in cold weather, please consider the following suggestions:

- Please use the fuel conforming to winter requirements.

# Starting and Driving

- Park the vehicle in an area where the fuel temperature can be maintained above -9°C.
- Fill the fuel tank after driving every day. This practice will reduce the possibility of fuel condensation and accordingly reduce the influence of water generated due to temperature rise after condensation on oil quality.
- Replace the element of fuel filter according to the recommended time interval.
- Maintain the battery power in normal state.

## Caution

Additive may degrade the lubricating property of fuel, accelerating wear and damage of engine and fuel injector.

## Fuel hose


Hoses are used partially in the fuel pipeline; aging and other phenomena are unavoidable after being used for a long time. Please be sure to check the fuel hose regularly according to Warranty & Service Handbook, and replace it every 10 years/160,000km.


## Urea

**Note: It applies to the diesel-engine vehicle equipped with a urea filler.**

When the "urea warning light (yellow)" in the instrument cluster is lit, it is needed to timely supplement the urea solution for the vehicle. The urea solution used for vehicles needs to meet the ISO 22241-2:2019 standard.

## Urea filling

 **It is forbidden to mix urea with engine oil, kerosene, paraffin, water or other liquids, and it is forbidden to fill the fuel into a urea filler, which may cause damage to the urea system. It is forbidden to fill the fuel into a urea filler, which may cause damage to the urea system. The rated volume of the urea tank is 13L. It is recommended to use a standard urea gun for filling. 2 times of extra filling is allowed at most after the gun jumps. If other simple tools are used for filling urea, the user needs to fill the urea according to the estimated urea surplus. Do not fill the urea too full, so that it can be seen or overflowed from the filling hole, thus putting yourself and others at risk of urea exposure.**

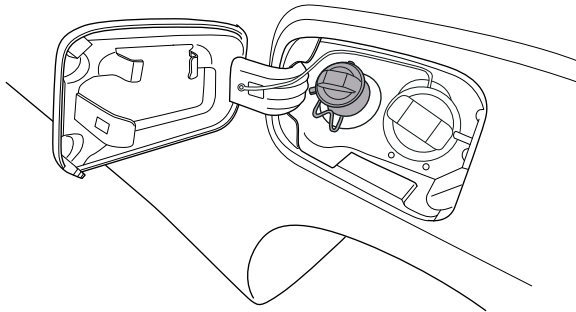
Before opening the urea filler, please turn on the fuel filler door release switch  on the driver's door first, and then open the fuel

# Starting and Driving

filler door from the vehicle interior; urea filler is located to the left of the fuel filler.

Turn the urea filler cap counterclockwise to remove the urea filler cap for urea filling. After filling, tighten the urea filler cap clockwise, and then close the fuel filler door.

**Note:** *The color of the urea filler cap is blue, and the text mark on the cap is AdBlue.*



## Manual transmission

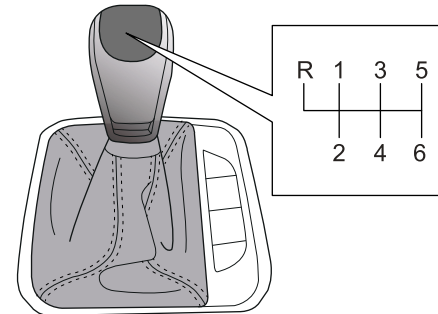
**Note:** *It applies to vehicles configured with manual transmission.*

### Gear shifting

During the gear shifting, depress the clutch pedal completely, and then move the shift lever. After the gear shifting, release the clutch pedal slowly.

The shift lever knob is marked with all gears.

### 6-speed manual transmission



**6th gear:** Completely push the shift lever to the right side by the force greater than the spring stress, and then push it to the bottom. When shifting to the 5th gear, do not apply a lateral

# Starting and Driving

---

pressure towards left, otherwise the gear may be shifted to the 3rd gear by accident. Then the engine will overspeed as a result.

*Reverse gear (R)*: Place the shift lever in N position. Press and hold the button at the front end of the shift lever handle to the left side, and then push it to the top.


## Caution

Before shifting into/out of R gear, the vehicle must come to a full stop. Depress the clutch pedal, and shift to R gear after a while. Upshift must be done in sequence. It is prohibited to start off with the 2nd gear. Transmission shall not be shifted to N gear for coast down. It is prohibited to shift to N gear, especially when the vehicle drives downhill, so as to prevent the burning damage of the synchronizer and various types of bearings.

## 8AT automatic transmission


### Gear position

#### P (Park Gear)

 Engaging P (park) gear during vehicle running will cause transmission damage. Do not use P (park) gear to replace the parking brake. Make sure the shift lever is in P (park) gear and the parking brake is completely applied. The vehicle must be stopped completely before shifting to P (parking) position. The transmission output gear is locked in this position to prevent driving wheel from moving.

P gear is used to assist in parking and starting the engine.

#### R (Reverse gear)


 Fully stop the vehicle before shifting to/out of R (reverse) gear; shifting to R gear during vehicle running will cause transmission damage.

R gear is used for reversing.

# Starting and Driving

---

## N (Neutral)

 When you stop the vehicle temporarily in N gear, please apply the parking brake or depress the brake pedal, otherwise there might be the risk of rolling or accident.

**While driving, please do not shift into N gear.**

N gear is a non-power gear, in which the transmission system does not transmit power.


## D (Drive)

D gear is a common forward gear, during normal driving, it is recommended to use D gear. The transmission can make adaptive adjustment of speed ratio, to achieve the optimal economy.

## M (Manual)

When accelerating the vehicle to overtake or driving uphill or downhill, it is recommended to use M gear.

## Shifting operation

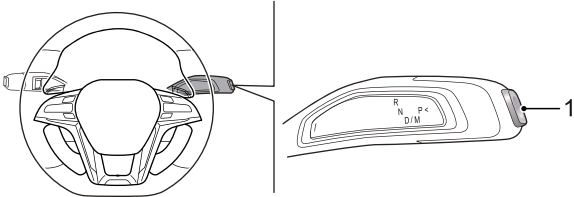
 Situation of the mass surrounding the vehicle especially children must be checked before shifting to D (forward) or R (reverse) gear. Make sure the shift lever is in P (park) position before leaving the driver seat; then set the parking brake and shut down the engine.

**To avoid damages to transmission, do not accelerate the engine under the condition of stepping on the brake pedal and shifting to R (reverse) gear or D (forward) gear. When the vehicle stops on a ramp, do not secure the vehicle with engine power. Please use the parking brake. When the engine rotates at a speed higher than 2500 rpm, do not shift from N (neutral) or P (park) gear to D (forward) or R (reverse) gear.**

# Starting and Driving

## Shift into R, N or D gear

- Current P gear



- Current N gear



1 P gear button  
**Shift into P gear**



When the vehicle is stationary, press the P gear button (1), and the vehicle engages the P gear.

# Starting and Driving

- Current R gear



- Current D gear



Briefly push and pull the shift lever towards the required direction (two positions each for front and back). After releasing the shift lever, the shift lever will return to the middle position.

When shifting out of P gear and shifting into R gear, it is required to depress the brake pedal; when shifting into D gear, it is required to depress the brake pedal.

The engaged gear will be displayed on the shift lever and instrument cluster message center.

Caution
①: During driving in D/M gear, when operating the shift lever to this position, keep the shift lever for more than 1.5 seconds before shifting the gear. There is no such requirement for other positions.

2

## M gear (manual mode)



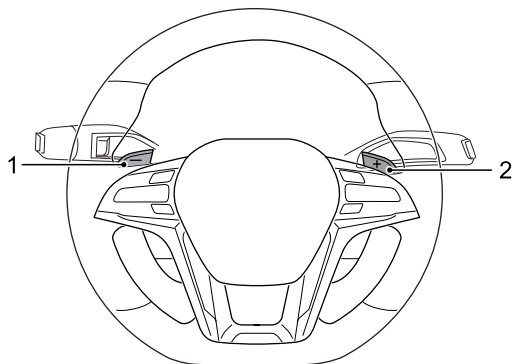
When in D gear in automatic mode, switch to M gear to select manual mode by moving the shift lever backwards. To return to D gear operation, move the shift lever backwards to return to D gear.

## Starting and Driving

When in M gear in manual mode, upshift or downshift can be achieved by toggling the paddle. The gear displayed in the instrument cluster will indicate the current gear with a single alphanumeric character (M1 ~ M8).

### Caution

①: During driving in D/M gear, when operating the shift lever to this position, keep the shift lever for more than 1.5 seconds before shifting the gear. There is no such requirement for other positions.



1 Downshift paddle

2 Upshift paddle

When in D gear in automatic mode, directly operate the steering wheel shift paddle to enter temporary manual mode. Toggle the paddle once more to upshift or downshift. The gear displayed in

the instrument cluster will indicate the current gear with a single alphanumeric character (M1 ~ M8).

### Caution

The temporary manual mode is only used temporarily, not a long-term manual state. If the shift paddle is not operated for a period of time, the system will return to D gear in automatic mode.

**Note:** *In M gear mode, after completely stopping the vehicle, press the P gear button to directly engage the P gear.*

### Caution

Under manual mode, if the gear shift time selected by the driver is unreasonable, or if upshift at low engine speed or downshift at high engine speed, the transmission will not respond, and the vehicle drives still in the current gear. When the vehicle drives in a certain gear, and the engine speed is lower than a certain value, the transmission will automatically downshift to an adjacent lower gear to avoid engine flameout; when the vehicle accelerates, and the engine speed rises up continuously to the maximum speed allowable by the gear, the driver needs to manually control the upshift.



# Starting and Driving

## Auto Park (automatically return to P gear) function

To ensure safety, when the vehicle is powered off in a non-P gear, the transmission will automatically engage P gear.

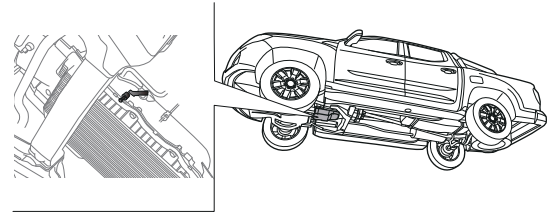
When the vehicle is stationary, if the driver unfastens the seat belt and does not depress the brake pedal and accelerator pedal, and meanwhile there is door open action, the transmission will automatically engage P gear to prevent rolling.

## Manually release P gear lock (Towing mode)

When the vehicle fails to move the shift lever out of P gear (dead battery, transmission controller failure, shifter failure, etc.), the transmission must be manually forced to shift from P gear to N gear before the towing can be carried out. Otherwise the transmission may be damaged.

It is required for user to rotate the bolt of transmission shown in the figure up to the end, jack up the transmission rocker arm and forcibly switch the gear to N gear. After manually releasing the P gear, the bolt shown in the figure cannot be reused, please contact Our Service Dealer for service.

2



# Starting and Driving

---

## Power steering unit

### Electric power steering unit

The electric power steering unit enables you to steer with less force.

When the steering system fails or the engine shuts down (the vehicle is towed by another vehicle), the driver can still maintain full control over the steering while needs to apply greater force to operate the steering wheel.

## Four-Wheel Drive (4WD)

### Part-time 4WD system

**Note:** *It applies to vehicles configured with part-time 4WD system.*

The part-time 4WD switch is located on the auxiliary fascia console. Use the part-time 4WD switch to select 2H (high-speed two-wheel drive) or 4H (high-speed four-wheel drive) or 4L (low-speed four-wheel drive) mode. When switching the mode, if it is operated improperly, the instrument cluster message center will display related alarm message. After successful switching, the corresponding 4WD mode indicator will be displayed on the instrument cluster message center.

### Instructions before use

- Driving in 4H/4L mode on the dry road in good condition will increase the wear speed of wheels and vehicle noise, easily cause damage to the drive system components, and meanwhile there is risk of driving, therefore it is required to use 2H mode under such road conditions, and it is forbidden to use 4H/4L mode.
- Large-angle turning is prohibited under 4H/4L mode, otherwise it will easily damage the components of power train system and cause abnormal wear of tire, even rollover accident in serious cases.
- It is forbidden to choose 4H/4L mode on the road with high adhesion (urban road, expressway, etc.). The vehicle

# Starting and Driving

speed must be controlled below 80 km/h under 4H mode; "4H indicator" will flash and prompt "Slow Down" and send audible alarm if the vehicle speed is higher than 80 km/h under 4H mode; the vehicle speed shall be controlled below 30 km/h under 4L mode.

- If 4H or 4L indicator is not on or off when the part-time 4WD switch is operated, or "part-time 4WD malfunction warning light (red)" **CHECK 4WD** illuminates, please drive immediately to Our Service Dealer for vehicle inspection.

## Instructions for switching

Operating switch on the auxiliary fascia console	2H	4H	4L
4WD mode indicator on the instrument cluster	2H	4H	4L
	2H indicator	4H indicator	4L indicator
Drive mode	2H (high-speed 2WD)	4H (high-speed 4WD)	4L (low-speed 4WD)
Driving Conditions	Use common drive mode on the road with high adhesion, such as expressway, urban road and other road in good condition.	For road with low adhesion, such as snowy road, grassland, muddy road, sandy road and other road in poor condition.	For the rough driving conditions with low speed and large torque, such as driving through the puddle, hill and shell-hole, etc.

## Caution


- When shifting to/out of 4L mode, stop the vehicle. For MT models, it is required to fully depress the clutch pedal; for AT models, it is required to first push the shift lever to N position.
- The switching time for 4L mode is about 5 seconds, and in order to avoid triggering the 4L mode by mistake, long press the 4L switch for more than 2 seconds to select 4L mode. Wait patiently during switching until "4L indicator" is displayed on the instrument cluster, which indicates it is successfully switched. Then release the clutch pedal or push the shift lever out of N position.
- Under 4L mode, ESC is turned off by default, and "ESC OFF indicator (yellow)" on the instrument cluster illuminates. When switching back to 2H/4H mode, the functions above are automatically resumed.
- The 4L mode is a special operating condition, and there is a mechanical movement of the gears in the transfer case during switching, which may cause gear stagnation. When it fails to switch to the 4L mode successfully, please drive the vehicle at a speed of less than 3 km/h forward in a straight line or slowly move backward several times, to eliminate gear stagnation before switching. When switching to 4L mode, there may be a mechanical combination of banging sound and slight shaking of the vehicle, which is normal.

# Starting and Driving

## Caution

- Driving the vehicle is prohibited during switching to 4L, or the transfer case is easy to be damaged.

## Switching between 2H and 4H

 **Do not shift the 2H switch to 4H switch when wheels are steering/spinning. Shift the 2H/4H switch only after the wheels stop steering or spinning.**

With the ignition switch in "ON" position, stop the vehicle or drive straight ahead at a speed below 80 km/h.

Select the 2H/4H switch on the auxiliary fascia console; when switching the mode, if it is operated improperly, the instrument cluster message center will display related alarm message. After successful switching, the corresponding 4WD mode indicator "2H/4H indicator" will be displayed on the instrument cluster.

When switching from 2H to 4H, "4H indicator" will keep flashing before switching is completed, and "4H indicator" will be normally on after the operation is done.

When switching from 4H to 2H, "2H indicator" will keep flashing before switching is completed, and "2H indicator" will be normally on after the operation is done.

**Note: If 4WD mode indicator fails to be on or off, drive the vehicle forward slowly.**

## Switching between 2H and 4L, 4H and 4L

The vehicle must be stopped and the ignition switch must be in "ON" position. For MT models, fully depress the clutch pedal when switching; for AT models, push the shift lever to N position when switching.

**Note: Switching can be made after above-mentioned conditions are met. When switching to 4L mode, the driving mode function SPORT/ECO is unavailable.**

Select the 2H/4H/4L switch on the auxiliary fascia console; when switching the mode, if it is operated improperly, the instrument cluster message center will display related alarm message. After successful switching, the corresponding 4WD mode indicator "2H/4H/4L indicator" will be displayed on the instrument cluster.

When switching from 2H/4H to 4L, "4L indicator" will keep flashing before switching is completed, and "4L indicator" will be normally on after the operation is done.

When switching from 4L to 2H/4H, "2H indicator"/"4H indicator" will keep flashing before switching is completed, and "2H/4H indicator" will be normally on after the operation is done.

**Note: The 4L mode is a special operating condition, and there is a mechanical movement of the gears in the transfer case during switching, which may cause gear stagnation. When 4WD mode indicator fails to be on or off, please drive the vehicle at a speed of less than 3 km/h forward in a straight line or slowly move backward several times, to eliminate gear stagnation.**

# Starting and Driving


## Real-time 4WD system

**Note:** It applies to models with real-time 4WD system.

The real-time 4WD switch is located on the auxiliary fascia console. Use the real-time 4WD switch to select 2H (high-speed two-wheel drive), AUTO (automatic) mode, 4H (high-speed four-wheel-drive) and 4L (low-speed four-wheel-drive) mode. When a drive mode is selected, the instrument cluster message center will display corresponding instructions and indicators.

### Instructions before use

- Driving in 4H/4L mode on the dry road in good condition will increase the wear speed of wheels and vehicle noise, reduce fuel efficiency, and meanwhile easily cause damage to the drive system components. Therefore 2H/AUTO mode is recommended under such driving condition.
- Large-angle turning is forbidden under 4H/4L mode on the road with high adhesion (urban road, expressway, etc.), otherwise it will easily damage the drive system components and cause abnormal wear of tire, even rollover accident in serious cases.
- It is forbidden to choose 4H and 4L modes on the road with high adhesion (urban road, expressway, etc.)
- Avoid prolonged driving on sandy or muddy roads. If the vehicle drives on sandy or muddy roads for a long time, it may activate the overheating protection function of system, exit 4WD, and switch to 2WD, to protect the 4WD.

- When the "real-time 4WD malfunction warning light (yellow)"  on the instrument cluster illuminates, please drive immediately to Our Service Dealer for vehicle inspection.

### Instructions for switching real-time 4WD system

Operating switch on the auxiliary fascia console	2H	AUTO	4H	4L
4WD mode indicator on the instrument cluster	2H indicator	AUTO indicator	4H indicator	4L indicator
Drive mode	2H (high-speed 2WD)	AUTO (automatic)	4H (high-speed 4WD)	4L (low-speed 4WD)
Driving Conditions	Use common drive mode on the road with high adhesion, such as expressway, urban road and other road in good condition.		For road with low adhesion, such as snowy road, grassland, muddy road, sandy road and other road in poor condition.	For the rough driving conditions with low speed and large torque, such as driving through the puddle, hill and shell-hole, etc.

## Starting and Driving

### Caution

- When shifting to/out of 4L mode, stop the vehicle. For MT models, it is required to fully depress the clutch pedal; for AT models, it is required to first push the shift lever to N position.
- The switching time for 4L mode is about 5 seconds, and in order to avoid triggering the 4L mode by mistake, long press the 4L switch for more than 2 seconds to select 4L mode. Wait patiently during switching until "4L indicator" is displayed on the instrument cluster, which indicates it is successfully switched. Then release the clutch pedal or push the shift lever out of N position.
- Under 4L mode, ESC is turned off by default, and "ESC OFF indicator (yellow)" on the instrument cluster illuminates. When switching back to 2H/AUTO/4H mode, the functions above are automatically resumed.
- The 4L mode is a special operating condition, and there is a mechanical movement of the gears in the transfer case during switching, which may cause gear stagnation. When it fails to switch to the 4L mode successfully, please drive the vehicle at a speed of less than 3 km/h forward in a straight line or slowly move backward several times, to eliminate gear stagnation before switching. When switching to 4L mode, there may be a mechanical combination of banging sound and slight shaking of the vehicle, which is normal.

### Caution

- Driving the vehicle is prohibited during switching to 4L, or the transfer case is easy to be damaged.

### Switching between 2H and AUTO, 4H and AUTO, 2H and 4H

The ignition switch is in "ON" position.

Select the 2H/AUTO/4H switch on the auxiliary fascia console, the instrument cluster message center will display "2H/AUTO/4H mode selection"; after successful switching, the corresponding 4WD mode indicator "2H/AUTO/4H indicator" will be displayed on the instrument cluster.

### Switching between 2H and 4L, 4H and 4L, AUTO and 4L

The vehicle must be stopped and the ignition switch must be in "ON" position.

For MT models, fully depress the clutch pedal when switching; for AT models, push the shift lever to N position when switching.

**Note:** *Switching can be made after above-mentioned conditions are met.*

When selecting the 2H/AUTO/4H/4L switch for switching the mode, if it is operated improperly, the instrument cluster message center will display related alarm message. After successful switching, the corresponding 4WD mode indicator

# Starting and Driving

---

"2H/AUTO/4H/4L indicator" will be displayed on the instrument cluster.


**Note:** *In order to avoid triggering the 4L mode by mistake, long press the 4L button for more than 2 seconds to select 4L mode.*


**Note:** *The 4L mode is a special operating condition, and there is a mechanical movement of the gears in the transfer case during switching, which may cause gear stagnation. When 4WD mode indicator fails to be on or off, please drive the vehicle at a speed of less than 3 km/h forward in a straight line or slowly move backward several times, to eliminate gear stagnation.*

## Brake system

### Service brake

#### Dual brake hydraulic system

 A failure in one of the hydraulic pipelines will be indicated by illumination of the "braking system

warning light (red)"  on the instrument cluster while driving; it will result in increased brake pedal travel and effort, longer braking distance and may cause the vehicle to pull to one side. Do not pump the brake pedal in an attempt to restore pedal pressure. If there is pressure failure in one of the brake pipelines, the cause must be investigated. **IMMEDIATELY** bring the vehicle carefully to a halt. You should contact Our Service Dealer immediately. **Do NOT** continue driving.

Should one of the hydraulic pipelines fail the other circuit will continue to function.

2

# Starting and Driving

---

## General state


 Always ensure that floor mats or other objects do not disturb brake pedal movement.

Never rest your foot on the brake pedal as this may overheat the brakes, reduce their efficiency and cause excessive wear. If brake pads/shoes have worn excessively, a squealing or screeching noise will be heard when the brakes are applied, and braking efficiency will be affected. Contact Our Service Dealer for service as soon as possible.

If the engine stops running due to some causes, brake booster will stop working after 2 pedal operations; to achieve the expected brake effect, a larger force shall be applied on the pedal. In these circumstances the braking distance may be longer.


If the vehicle is not in regular use or is garaged for long periods, the efficiency of the braking system could be impaired. Contact Our Service Dealer for service as soon as possible.

## Wet state

 Driving in heavy rain and slushy roads will considerably reduce braking efficiency. At this time, keep safe distance from other vehicles and gently depress the brake pedal intermittently to dry the brake friction components. In severe wet weather, this drying process may need to be repeated every few miles.

In winter, ice can form or salt may accumulate on the brake pads and discs. Ice and salt accumulation will be cleaned off after intermittently light applications of the brake pedal.

## Descending steep hills

 Overheating the brakes will reduce braking efficiency and may also cause the vehicle to pull to one side.

For a steep slope which requires to apply the brake constantly, a lower gear shall be selected before driving downhill to reduce the required brake force.



## ABS (Anti-lock Braking System)

ABS is used to prevent the road wheels from locking under emergency braking, thereby helping you maintain steering control. No special driving technique is needed.

Under normal braking (where sufficient road surface friction exists to prevent wheel lock), the ABS will not be activated.

An integral feature of this braking system is Electronic Brake Distribution (EBD), which is used to optimize the braking force at the rear wheels under full load condition.

Important rules for emergency brake with ABS On:

- 1 For vehicles equipped with manual transmission, depress the clutch pedal and fully depress the brake pedal at the same time; for vehicles equipped with automatic transmission, fully depress the brake pedal.
- 2 Bypass the obstacle. No matter how much brake force is used, you can always maintain the control on direction.

## ABS Function



**ABS may not be able to shorten the brake distance, depending on road surface conditions, brake distance may vary significantly. In fact, when the vehicle without ABS drives on some roads (e.g., gravel road or snowy road), the brake distance may be shorter.**

**ABS cannot overcome the physical limitations of stopping your vehicle in too short a distance, cornering at high speed, or aquaplaning, i.e. where a layer of water prevents adequate contact between the tires and the road surface.**

**ABS can better protect yourself and other road users from unnecessary risks. You still have a duty to drive within normal safety margins, having due considerations for the road surface, weather and traffic conditions.**

If the braking force you use exceeds the available adhesion between the tires and the road, causing one or more wheels to be locked, then ABS will automatically come into operation. You will hear the sound of a rapid pulsation which will also be felt through the brake pedal.

Even when making emergency braking on a slippery road surface, be sure to depress the clutch pedal and fully depress the brake pedal. ABS is activated; it constantly monitors the

# Starting and Driving

---

speed of each wheel and varies the braking pressure to each according to the amount of friction available.

This prevents the wheels from locking and enables steering control to be maintained.

## Precautions for driving a vehicle with ABS

- In case of emergency braking, for vehicles equipped with manual transmission, depress the clutch pedal, meanwhile fully depress the brake pedal; for vehicles equipped with automatic transmission, fully depress the brake pedal.
- Under normal braking, apply steady pressure to the brake pedal - DO NOT PUMP IT.
- Remember that steering control will always be available during braking.
- The availability of ABS does not eliminate the dangers of driving too close to the vehicle in front, aquaplaning, excessive cornering speeds, etc.
- ABS does NOT guarantee shorter braking distances.
- Do not be alarmed if you hear and feel a pulsing at the brake pedal. This is normal and indicates that the ABS is in operation.

## ESC (Electronic Stability Control)

### Functions of ESC

ESC covers the functions of ABS, EBD, TCS, VDC, EBA, RMI, HHC, AUTOHOLD and HDC.

ESC indicator on the instrument cluster flashes when the ESC is operating. You may hear some noise or feel the vibration of brake pedal, which is normal.

When the ignition switch is placed in "ON" position, "ESC



indicator (yellow)" will illuminate and go off after several seconds. In normal driving conditions, ESC indicator keeps off, and ESC is in monitoring state. When the ESC indicator flashes, it indicates ESC is operating. You may hear some noise or feel the vibration of brake pedal, which is a normal phenomenon. In case of ESC failure, ESC indicator will stay On. Please take the vehicle to Our Service Dealer for ESC inspection.

ESC can be turned off with ESC OFF button on the entertainment system display, and when ESC function is turned off, "ESC OFF



indicator (yellow)" illuminates and only ABS and EBD functions are available.

# Starting and Driving

---

## ***EBD (Electronic Brake-force Distribution)***

EBD automatically detects the grip conditions between wheels and ground, distributes the brake force optimally to 4 wheels, so as to improve brake efficiency and driving stability.

## ***TCS (Traction Control System)***

TCS automatically controls the driving force at the start-off and acceleration to prevent wheels from spinning, so as to maintain the driving stability.

## ***VDC (Vehicle Dynamics Control)***

VDC is an advanced computer system, which can help you to control the vehicle driving direction in severe driving conditions. When the computer detects the deviation between the expected driving route and the actual driving direction, VDC system may selectively apply brake pressure on one or more brakes of the vehicle so as to keep the vehicle driving in the direction commanded.

## ***EBA (Electronic Brake Assist)***

In case of an emergency, the force applied by a driver on the brake pedal is usually insufficient. EBA can identify this rapid action with insufficient force on the brake pedal and automatically establishes a brake pressure up to the lock level to shorten the brake distance greatly.

## ***RMI (Roll Movement Intervention)***

RMI can identify the vehicle rollover trend as early as possible by monitoring the turning angle of steering wheel and lateral acceleration, and apply braking to one or more wheels to prevent the rollover to the greatest extent.

## ***HHC hill hold control***

When the vehicle drives uphill, HHC can prevent the vehicle from sliding backwards after the driver releases the brake pedal. The driver has up to 2s (for AT models) or 3s (for MT models) to move his foot from the brake pedal to the accelerator pedal for hill-start.

## ***AUTOHOLD***

***Note: It applies to vehicles configured with EPB.***

The ESC runs together with the EPB to help your vehicle park in any stationary condition without depressing the brake pedal all the time. See "Auto hold" in this section for specific usage.

## ***HDC (Hill Descent Control)***

When driving on a long downhill road with a relatively great gradient, if the vehicle speed is within a certain speed range, there is no need for the driver to depress the brake pedal and accelerator pedal, and the vehicle will run at a low speed automatically, so as to ensure the vehicle goes downhill steadily; at this time, the driver can correct the automatically controlled speed of system through brake pedal and accelerator pedal.

## Starting and Driving

---

The HDC switch is located on the entertainment system display. Use this switch to control the HDC system on or off.

When the vehicle speed is within the range of 35 ~ 60 km/h, HDC is inoperative but in standby state.

When the vehicle speed is greater than 60 km/h, HDC function automatically exits, and when it is reactivated, it is required to press the HDC switch again.

When the ignition switch is placed in "ON" position, HDC is in off state by default, and other functions of ESC are all in standby state. When the HDC switch is turned on, "HDC



indicator (green)" in the instrument cluster illuminates, and HDC function is in monitoring state. At this time, if HDC operates, "HDC indicator (green)" will flash; if "HDC indicator (yellow)" illuminates, it indicates a HDC failure. Please take the vehicle to Our Service Dealer for ESC inspection. When the HDC switch is turned off, "HDC indicator (green)" in the instrument cluster goes off, and HDC function is disabled at this time.

**Note:** *HDC function is used to assist the driver to go downhill steadily at a low speed, and it is not recommended to enable this function on a non-ramp road.*

**Instructions for turning off ESC under 4L mode of 4WD system**

**Note:** *It applies to vehicles configured with 4WD system.*

To ensure the vehicle's ability to get out of trouble on rugged and slippery roads, the ESC system will be automatically turned off after the 4WD system is confirmed to switch to 4L mode, at this time, "ESC OFF indicator (yellow)" is normally on, and ESC OFF switch is unavailable. When 4WD system is confirmed to switch to AUTO/2H/4H mode, ESC system automatically resumes to be turned on, and at this time "ESC OFF indicator (yellow)" goes off. See "4WD system" for detailed information on 4L mode of 4WD system.

### Precautions for driving a vehicle with ESC

ESC can detect and analyze vehicle conditions, and take preventive measures by correcting wrong driving operation. However, anything has its limit and no safety device is absolutely safe if the driver blindly drives the vehicle over-speeding.

# Starting and Driving



## EPB (Electrical Parking Brake)

**Note: It applies to vehicles configured with EPB.**

The EPB switch (Ⓢ) of the manual transmission model is located on the auxiliary instrument panel. The EPB switch is used to control the tension or release of the parking brake. The EPB release switch (Ⓢ) of automatic transmission model is located on the auxiliary instrument panel, and the EPB switch is used to control the parking brake release; The EPB pull switch is integrated with the P button on the gear shift lever. When the vehicle is stationary, press the P button and the vehicle enters the P gear, and the EPB also pulls up to realize the parking function.

### Instructions before Using EPB

- The ignition switch is in ACC/ON position and the EPB can be used all the time. To prevent the battery from excessive discharging, when the vehicle is not running, avoid repeated operation on the EPB switch. EPB is unable to be applied or released when the battery power is insufficient.
- The vehicle has the function of driving away to release EPB function, which can prevent the unintended slip. When the vehicle's traction is greater than the sliding force, the EPB will be automatically released.
- When the normal braking operation of the vehicle fails, the emergency braking function can still stop the vehicle. Please see the "Emergency braking function" in this section for details.

- It is normal to make a slight noise when switching on or off the electronic parking brake, please don't worry.
- When the power supply of the vehicle is cut off, the parking brake cannot be released under the applied state, and the brake cannot be applied under the released state, please connect the external power supply.
- If the "EPB indicator (red)"  is not on or off when you operate the EPB switch, or the "EPB malfunction warning light (yellow)"  illuminates and the EPB cannot be released through normal operation, please contact Our Service Dealer.
- Do not perform EPB on the road with the slope more than 30%, otherwise the vehicle may slip. If the EPB fails to fully brake when parking on the road beyond a defined slope, the driver can stop the vehicle from sliding by depressing the brake pedal.

## EPB (Electrical Parking Brake)

### Manual hold

- 1 The ignition switch is in "ON" position, or the engine is running.
- 2 Maintain the vehicle in stationary state.
- 3 Pull up the EPB switch(Ⓢ) (manual transmission model) or press the P gear button on the side of the gear shift lever

# Starting and Driving

(automatic transmission model) to tighten the parking brake. When the "EPB (electronic parking) indicator light (red)" on the combination instrument lights up, it means that the parking brake is successful.

- 4 When parking, shift the gear lever into N gear (manual transmission model) or P gear (automatic transmission model).
- 5 When the vehicle is on a slope, please turn the steering wheel to ensure that the vehicle is aimed at the curb when there is a slip.

## **Auto hold**

When the ignition switch is turned off and the vehicle is stationary, the parking brake is automatically applied and the "EPB indicator (red)" on the instrument cluster will illuminate to prevent the vehicle from accidentally slipping away.

### Caution

When the power supply of the vehicle is cut off and the released parking brake cannot apply again. In this case, please place the shift lever in P gear to secure the vehicle.

## **Auto hold function disabled**

If you don't need EPB auto hold function under some special circumstances (such as washing the vehicle or ice may accumulate on the brake discs in cold weather), press the EPB switch within 3 seconds before turning off the ignition switch to

release the EPB, if the "EPB Indicator (red)" will not illuminate, the vehicle will not perform auto hold.

## **Start-off**

### **Release EPB manually**

- 1 Place the ignition switch in ACC/ON position.
- 2 Depress the brake pedal.
- 3 Press the EPB switch (Ⓟ) and the parking brake will be released. When the "EPB indicator (red)" goes out, it indicates that the EPB has been released.

### **Drive away to release EPB**



**When the vehicle is stopped and the engine is running, if a gear is engaged, then never depress the accelerator pedal. Otherwise the vehicle will immediately move on its own and there might be the risk of accident.**

- 1 The ignition switch is turned on and the doors are closed.
- 2 The driver has fastened his/her seat belt.
- 3 Transmission is in gear position.
- 4 Accelerator pedal is depressed. When starting on a level ground or a slope, depress the accelerator pedal, and when the traction is greater than the sliding force, the parking brake will be automatically released. The "EPB indicator

# Starting and Driving

(red)" on the instrument cluster will go out and the vehicle will start to move.

## Emergency braking function

Pulling and holding the EPB switch will activate the emergency braking function. At this point, the vehicle will activate the hydraulic brake system to brake the four wheels, and the braking effect is like depressing the pedal brake forcefully. The emergency brake will stop as soon as the EPB switch is released or the accelerator pedal is depressed forcefully.

**Note:** *This function is used in the case that the normal braking operation has been failed.*

## Auto hold

The auto hold switch (A) is located on the dashboard. Use this switch to control the enabling or disabling of the auto hold function.

The auto hold system supports the driver to reduce driving fatigue when the vehicle often encounters traffic lights or moves and stops repeatedly. The auto hold function enables the parking brake to be released automatically when starting off, and the vehicle to be parked automatically when the vehicle is stationary.

## Turn on auto hold

### Caution

These conditions may be required to enable auto hold function: the driver's door is closed; The driver's seat belt is fastened; The engine is started.

Press the auto hold switch (A), the indicator light on the switch will illuminate, and the "auto hold indicator (white/black)"


AUTO  
HOLD

on the instrument cluster will illuminate. After the vehicle is stationary, when the "auto hold indicator (green)" on the instrument cluster flashes, the auto hold function is operating and the driver can release the brake pedal. When the auto hold function enters the operating state, the ESC pressure maintaining parking will be performed first, and the EPB tighten parking will be requested by ESC if the vehicle is still stationary

## Starting and Driving

---


5 minutes later. The "auto hold indicator (green)" goes out and

the "EPB indicator (red)"  illuminates.

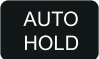
During the auto hold process, open the door or unfasten the seat belt will activate the EPB to work. The "auto hold Indicator (green)" goes out and the "EPB indicator (red)" illuminates.

If you depress the accelerator pedal as usual, the parking brake will be automatically released and the vehicle will start. The "auto hold indicator (white/black)" on the instrument cluster is always on, and the auto hold function is in standby state.

### Turn off auto hold

Press the auto hold switch , the indicator on the switch will go out, and the "auto hold indicator (green)" on the instrument cluster will go out, and the auto hold function will be off.

 **Do not perform auto hold on the road with the slope more than 30%, otherwise the vehicle may slip.**


When the "auto hold indicator (yellow)"  on the instrument cluster illuminates and the auto hold system fails, please drive immediately to Our Service Dealer for vehicle inspection.

### Warning lights

Warning lights related to brake system include "brake system warning light (red)", "ABS warning light (yellow)", "EBD warning light (red)", "ESC indicator (yellow)", "ESC OFF indicator (yellow)", "EPB indicator (red)", "EPB malfunction warning light (yellow)", "auto hold indicator (green)" and "HDC indicator (green)", please see "Warning lights and indicators" in Before You Drive section.



## Cruise control system

 Cruise control can be dangerous where you can not drive safely at a steady speed. Therefore, do not use the cruise control on winding roads or in heavy traffic. It is also dangerous to use the cruise control system while driving on a slippery road. On such roads, fast changes in tire traction can cause excessive wheel spin, and you could lose control. **Do not use the cruise control on a slippery road.**


Your vehicle may be equipped with the cruise control system. With the cruise control, you can maintain the vehicle speed at 40km/h or above without keeping depressing the accelerator pedal. The cruise control system does not work when the vehicle speed is less than 40 km/h.

For safety concerns, after starting the vehicle, it is necessary to detect the effective brake signal before entering the cruise control system.


For vehicles with the traction control system or electronic stability control system, the system starts to limit wheel spinning when the cruise control system is working. In case of this situation, the cruise control will be automatically disabled.


## Cruise control settings

### Setting cruise control

 If the cruise control stays on when you do not use it, you may touch the switch and accidentally enter the cruise state. Then you may get scared and lose control of the vehicle. Therefore, keep the cruise control switch "Off" until you need to use the cruise function.

The cruise control switch is located on the steering wheel.

: cruise on/off switch. Press this switch to turn the cruise control system on or off. The "cruise control indicator" in the instrument cluster illuminates or goes out accordingly.

: cruise cancel switch. Press this switch to cancel the cruise function without clearing the set speed in the memory.


RES+: cruise recovery/acceleration switch. To store the set speed, press this switch to resume that speed; press this switch again to accelerate (1 km/h increase per time).

SET-: cruise setting/deceleration switch. Press this switch to set a speed. Then the cruise function will be enabled and the "cruise control indicator" on the instrument cluster will turn green. If the cruise function is operating, press this switch to decelerate (1 km/h decrease per time).

# Starting and Driving

---


## Setting speed

- 1 Press  to turn on the cruise control system. Meanwhile the "cruise control indicator (white/black)" in the instrument cluster will illuminate.
- 2 Accelerate to the desired speed.

**Note: This speed must be higher than 40km/h.**

- 3 Press SET- switch and then release it. Then the current speed will be stored and maintained and the "cruise control indicator" on the instrument cluster will turn green.
- 4 Release the accelerator pedal, and then the vehicle will cruise at a steady speed. The cruise control function will be disabled when the brake is enabled.

## Resume the set speed

If you have set the cruise speed of cruise control system, the cruise control function will be disabled when you depress the brake pedal or press , but this set speed in the memory will not be cleared. To resume the pre-set speed, press RES+ when the vehicle speed reaches 40 km/h or above, and then the vehicle speed will recover to the pre-set value.

## Accelerating with cruise control enabled

There are two methods to accelerate:

- Accelerate by depressing the accelerator pedal.
- If the cruise control system has been enabled, press RES+, and hold it until the vehicle accelerates to the desired speed,

and then release it. To accelerate by minor increment, press RES+ and then release it. Each time this is done, the vehicle goes about 1 km/h faster.

## Decelerating with cruise control enabled

If the cruise control system has been enabled:

- Press SET-, and hold it until the vehicle decelerates to the desired speed, and then release it.
- To decelerate by minor increment, press SET- and then release it. Each time this is done, the vehicle goes about 1 km/h slower.

## Overtaking with cruise control enabled



Speed up with the accelerator pedal. When you release the accelerator pedal, the vehicle will decelerate to the pre-set cruise control speed.

## Using cruise control on slopes


The performance of cruise control system on a slope depends on the speed, load as well as the gradient of the slope. When the vehicle runs uphill, it may be required to depress the accelerator pedal to maintain the vehicle speed. When the vehicle runs downhill, it may be required to brake or shift to a low gear to maintain the vehicle speed. The cruise control function will be disabled when the brake is enabled.

## Terminating cruise control

There are three ways to disable the cruise control:

- Slightly depress the brake pedal once; the "cruise control indicator" in the instrument cluster will turn white/black from green when the cruise control is disabled.
- Press .
- Press  to turn off the cruise control system completely. The cruise control speed will not be resumed.


## Clearing speed memory

The cruise control set speed memory will be cleared when you press  or turn off the ignition switch.

## Parking assist system

*Note: The type of parking assist system equipped on your vehicle is subject to the actual vehicle configuration purchased.*

## Parking sensor

 The parking assist system is not always reliable and is only playing the role of guidance! The parking sensors might not detect some types of obstacles, including slim objects (such as wire nets and ropes), small objects close to the ground, conic objects and some objects with non-reflective surfaces.

The parking sensors shall be free of dirt, ice, and snow. The sediment on surfaces of parking sensors will impair the normal functioning of the sensors. Therefore, avoid directly flushing the parking sensors from a short distance by a high pressure water gun while washing your vehicle.

Two parking sensors installed on the rear bumper will scan the rear area of vehicle, in order to judge the presence of obstacles. Upon detection of any obstacle, the parking sensors will calculate its spacing from the rear of the vehicle and send the information to the driver by alerting tones. It's really important that this system is only a parking assist system and can't function as the replacement for your observation and personal judgment.

## Starting and Driving

---

### Working status of parking sensor assist system

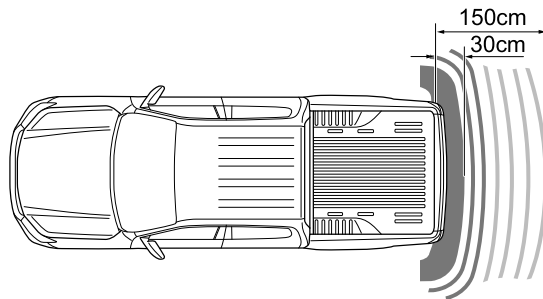
After shifting into the reverse gear, the parking assist system will give out a prompt tone of 0.5s to indicate the operation started automatically. When selecting other gears, the parking assist system will stop working.

**Note: If the system gives out a prompt tone of 3s after the gear is shifted to "R", it indicates that the system has a malfunction. Contact Our Service Dealer for service as soon as possible.**

When reversing the vehicle:

When the vehicle is at about 150cm distance from the rear barrier, the system will start making alarm sounds. And the alarm sound become harsher when the vehicle is approaching the barrier.

When the distance of the vehicle from the rear barrier is less than 30cm, the system will produce a long alarm sound. At this moment, it is impossible to effectively identify the barrier if you continue to reverse the vehicle.



## Front and rear sensors



The parking assist system is not always reliable and is only playing the role of guidance! The parking sensors might not detect some types of obstacles, including slim objects (such as wire nets and ropes), small objects close to the ground, conic objects and some objects with non-reflective surfaces.

The parking sensors shall be free of dirt, ice, and snow. The sediment on surfaces of parking sensors will impair the normal functioning of the sensors. Therefore, avoid directly flushing the parking sensors from a short distance by a high pressure water gun while washing your vehicle.

Two sensors located in the front bumper will scan the front area of the vehicle, and two sensors located in the rear bumper will scan the rear area of the vehicle, in order to judge the presence of obstacles. Upon detection of any obstacle, the parking sensors will calculate its spacing with the vehicle and send the information to the driver by alerting tones. It's really important that this system is only a parking assist system and can't function as the replacement for your observation and personal judgment.

### Working status of rear parking assist system

Shift into the Reverse gear and the rear parking assist system will automatically turn on. Shift out of the Reverse gear and the rear parking assist system will automatically stand by.

## Working status of front parking assist system

When it is shifted to Reverse gear and the vehicle speed is less than 15 km/h, the front parking assist system will automatically turn on. When it is shifted to D gear or N gear and the vehicle speed is less than 15 km/h and the front parking assist system will enable the detection function.

**Note:** *If the display gives out a prompt tone of 3s after the parking assist system is powered on, it indicates that the system has a malfunction. Contact Our Service Dealer for service as soon as possible.*

## Front radar switch

The front radar switch is a touch button on the entertainment system display which controls the front radar to be turned on or standby actively. When the front radar switch is effective, press the front radar switch once to turn on the front radar system (standby), and press the front radar switch again to turn off the front radar system (on).

When reversing the vehicle:

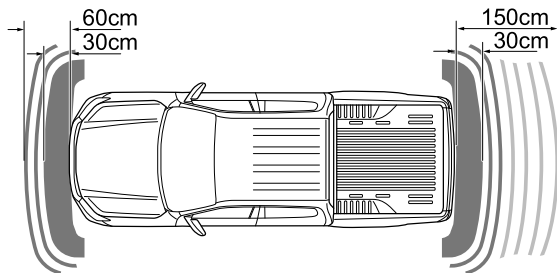
When the vehicle is at about 150cm distance from the rear barrier and about 60cm distance from the front barrier, the system will start making alarm sounds. And the alarm sound become harsher when the vehicle is approaching the barrier.

When the distance of the vehicle from the front or rear barrier is less than 30cm, the system will produce a long alarm sound. At

## Starting and Driving

this moment, it is impossible to effectively identify the barrier if you continue to reverse the vehicle.

**Note:** *When the front parking assist system works under D gear and N gear, the front radar will detect obstacles under normal working conditions and will produce alarm sounds. If the distance from obstacles does not change after 3 seconds, the system will stop sending alarm frequency signals. If the distance from obstacles changes again, the front parking assist system will resume sending alarms.*



### Parking camera

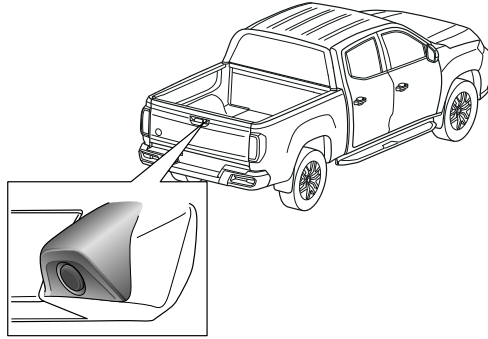
**⚠** The parking camera assist system is not always reliable and is only playing the role of guidance! Due to limited visual field, the parking camera can't detect any obstacle beyond its visual field.

#### Working status of parking camera assist system

After shifting the gear to R, the image of entertainment system display screen will be switched to the reverse camera operating state, and the entertainment system display will show the scene image behind the vehicle for the driver's reference during reversing.

When you place the shift lever in other positions, the reverse camera parking assist system will stop operating, and the entertainment system display screen will recover to the pre-reversing state.

# Starting and Driving



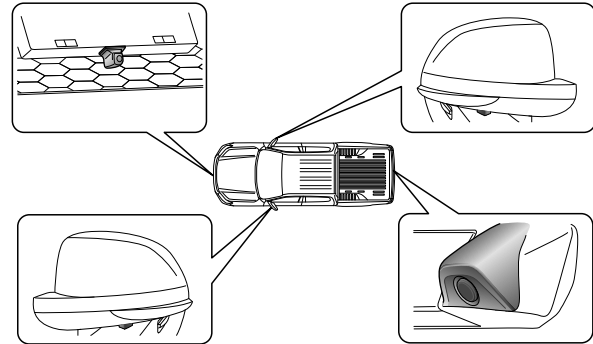
**Note:** When the vehicle enters the reversing state, cameras will output static reversing tracks which are displayed on the entertainment system display, take the horizontal plane as reference, and identify the area behind the vehicle in segments divided by red, yellow and green lines.

## 360° Around-view System

**!** The parking assist system is not always reliable and is only playing the role of guidance! Due to limited visual field, the parking camera can't detect any obstacle beyond its visual field.

The 360° around-view system includes 4 cameras, which are respectively installed in the front, rear, left and right of vehicle body.

2



## Operating state of 360° around-view system

After shifting the gear to R, the entertainment system display screen will automatically switch to the 360° around-view

# Starting and Driving

---

interface, and then you can judge the relative position between the vehicle and barrier according to the image. Please refer to the Operating Instructions of the entertainment system mainframe.

When the vehicle speed is less than 25km/h, press the 360° around-view button on the entertainment system display to turn on the 360° around-view system. Then the entertainment system display will switch to the 360° around-view interface of left turn, right turn or normal driving according to the current vehicle operation.

**Note:** *Select the area to be viewed by touching the front, rear, left or right button on the entertainment system display.*

## Driver assistance system

**Note:** *The type of advanced driver assistance system on your vehicle depends on the actual vehicle configuration you purchased.*

## Camera

Front-view camera is installed inside the front windshield at the interior rear-view mirror. Front-view camera provides target acquisition for the driver assistance system.

### Caution

If the camera sensor hardware is damaged, it must be repaired or replaced. It is recommended to drive the vehicle to our service dealer for repair, and never replace it by yourself.

It is not allowed to install license plate frame or other objects on the front/rear license plate board to prevent interference with camera or radar sensor; regular maintenance is required for the license plate to avoid deformation from affecting the radar sensor performance.

Not all traffic environment, weather and driving conditions are suitable for the camera to function properly, therefore, in a complex environment or bad weather, please drive carefully.



## Camera maintenance

In order to keep the proper operation of camera, please ensure there is no foreign matter such as dust, ice and snow, and water on the front of camera.

The replaced assembly structure of camera must be our original part. After part replacement, the camera must be re-calibrated at our service dealer, so as to ensure that all vehicle systems based on the camera function properly.

## Service restrictions

When the camera cannot work properly, the function that provides detection information based on the camera is restricted or abnormal.

The camera has limited detection range and capability, so that it cannot detect the target out of its detection range.

The performance of camera will be restrained in the following environment:

- The camera's view is blocked, and the surface is covered with foreign matters, such as dust, ice and snow, water, frost, etc.
- Weather conditions with poor light or low visibility.
- Over exposure of camera due to direct sunlight.
- Dramatic light change (e.g in/out tunnel).
- Camera jolt due to bumpy road or other factors.

## Radar

Millimeter wave radar is installed inside the front grille or inside the rear bumper (some models are equipped with 3 millimeter wave radars). Millimeter wave radar provides target acquisition for the driver assistance system.

### Caution

In order to avoid affecting the detection performance of radar sensor, it is strictly prohibited to paint or modify the body and front/rear bumper without permission.

If the radar sensor hardware is damaged, it must be repaired or replaced. It is recommended to drive the vehicle to our service dealer for repair, and never replace it by yourself.

It is not allowed to install license plate frame or other objects on the front/rear license plate board to prevent interference with camera or radar sensor; regular maintenance is required for the license plate to avoid deformation from affecting the radar sensor performance.

Not all traffic environment, weather and driving conditions are suitable for the radar sensor to function properly, therefore, in a complex environment or bad weather, please drive carefully.

## Radar maintenance

In order to keep the proper operation of radar, please ensure there is no foreign matter such as dust, ice and snow, and water on the front of radar.

# Starting and Driving

---

When there is a foreign matter in front of the radar, please clean it with soft cloth. Never use water cannon, or damage the front surface of radar.

The replaced assembly structure of radar sensor must be our original part. After part replacement, the radar sensor must be re-calibrated at our service dealer, so as to ensure that all vehicle systems based on the radar sensor function properly.

## Service restrictions

When the radar cannot work properly, the function that provides detection information based on the radar is restricted or abnormal.

The radar has limited detection range and capability, so that it cannot detect the target out of its detection range.

The performance of radar will be restrained in the following environment:

- The radar's surface is covered with foreign matters, such as dust, ice and snow, water, etc.
- The objects detected by radar may have wave-absorbing interference substance, such as cotton object, etc.
- Bad weather conditions, such as heavy rain, snow, fog, etc.
- Radar jolt due to bumpy road or other factors.

## FCW and AEB (Forward collision assist)

Forward collision assist includes FCW (Forward Collision Warning) and AEB (Automatic Emergency Braking). The FCW function warns the driver of pedestrians, bicycles or vehicles in front of the vehicle with visual and audio signals. If the driver fails to take actions within a reasonable period of time, the system will trigger the AEB function.

Collision assist function may enable urgent and instantaneous braking to cope with different collision risks. These may make the driver feel uncomfortable, in this case, the driver shall perform active braking.

If the collision risks increase further, the system will brake dramatically and stop the vehicle in normal conditions. For most drivers, this is not a normal driving style and they may feel uncomfortable. After the collision assist function successfully avoids collision with the vehicle ahead, the vehicle will remain stationary for a while, at which moment the driver shall take actions as soon as possible.

Generally, the collision assist function will not be perceivable to the driver or passengers until the vehicle is about to collide. The collision assist function will be enabled when the driver should start braking in advance, but it cannot help the driver in all conditions.

# Starting and Driving


## Function on or off

### Function on mode

When the vehicle is started, the collision assist function is on by default.

If you turn the function off and want to turn on it again, set in the center console screen: Settings->Advanced Driver Assistance->Collision Assist On.


When the function is activated, the "FCW (Forward Collision Warning)/AEB (Automatic Emergency Braking) warning light

(yellow)"  on the instrument cluster goes out.

### Function off mode

Set in the center console screen: Settings->Advanced Driver Assistance->Collision Assist Off.



When the function is off, the FCW and AEB functions will be disabled at the same time, and "FCW warning light/AEB warning

light (yellow)"  on the instrument cluster is always on.

### Sensitivity control

Set in the center console screen, and click "...” or ">” on the right of Collision Assist, the options "Low", "Standard" and "High" will pop up; you may select applicable sensitivity according to your needs.

## Information prompt

- Visual alarm
  - Indicator prompt: During the forward collision warning, the "FCW (Forward Collision Warning)/AEB (Automatic Emergency Braking) warning light (yellow)"  flashes; during the automatic emergency braking, the "FCW (Forward Collision Warning)/AEB (Automatic Emergency Braking) warning light (red)"  flashes.
  - Text reminder: Risk of collision/automatic emergency braking.
- Audible alarm: The entertainment system speaker alarms.

### Caution

The collision assist is an auxiliary function that cannot work under all driving, traffic, weather and road conditions, which cannot replace the driving and accurate judgment. The performance of the system may be degraded by other factors, so that the driver should drive carefully and do not rely solely on the system. Before using the collision assist, the driver should check the restrictions they need to know by referring to this section.

# Starting and Driving

## Caution

The collision assist is designed to decrease the vehicle speed as much as possible to reduce the losses caused by collisions, instead of complete prevention of collisions. The driver should drive carefully and do not rely on the system.

When the system gives visual and audible warnings, the driver should immediately take further measures to avoid risk of collision and do not rely solely on the system.

The recognition range of front view camera and front millimeter wave radar realized by collision assist is limited, so you should not rely solely on the system to prevent collisions.

Due to the inherent limitations, the system may give a warning or brake when there is no risk of collision. The driver should always pay attention to the traffic environment ahead and take appropriate measures immediately.

The operating range of the collision assist system is 8 km/h to 130 km/h.

With the collision assist activated, if the "FCW (Forward Collision Warning)/AEB (Automatic Emergency Braking)



warning light (yellow)" is always on, please go to our service dealer for repair.

## Service restrictions

- When the vehicle speed is lower than 8km/h, the system will not give alarm. The system triggered occasionally due to low vehicle speed in congestion road may provide poor driving experience.
- The driver shall ensure the seat belt is fastened properly, otherwise the AEM will not function.
- Please ensure the ESP (Electronic Stability Program) and collision assist function are on, otherwise the collision assist function will not function.
- Certain targets, such as highway barriers, tunnel entrances, heavy rain or ice, can affect or impair sensor detection, thus affecting AEB functions.
- The precondition for collision assist function to respond to the relevant target is that the target must be in the field of view of the sensor and be recognized. The collision assist function will be significantly limited with respect to cutting-in targets, those not detected until the current vehicle changes lane and those in the sharp turn road.
- The system will not respond to animals.
- Severe weather, such as wind, heavy rain, fog, etc., will affect the detection capability of the camera, which will reduce the system performance or increase the false trigger rate.
- For camera restrictions, see "Camera".
- For radar restrictions, see "Radar".

# Starting and Driving

## LDW (Lane Departure Warning)

LDW function provides assist for driver on expressway, fast roads and similar arterial roads. When the driver unintentionally departs from current lane, it will warn and prompt the driver to return to the original lane, avoiding the resulting traffic accident.

The LDW function will be enabled when the vehicle speed is higher than or equal to 60km/h and the road markings are visible. The system will not send alarm messages when the driver drives at low speed or takes active driving (judged by turning on direction indicator/changing lane in emergency).

### Function on or off

#### Function on mode

When the vehicle is started, the LDW function is on by default.

If you turn it off and want to turn on it again, set in the center console screen: Settings->Advanced Driver Assistance->LKA On.

#### Function off mode

Set in the center console screen: Settings->Advanced Driver Assistance->LKA Off.

When the function is deactivated, the "LDW (Lane Departure Warning)/LKA (Lane Keeping Assist) warning light (yellow)"



is always on.


### Sensitivity control

Set in the center console screen, and click "...” or ">” on the right of LDW, the options "Low", "Standard" and "High" will pop up; you may select applicable sensitivity according to your needs.

### Information prompt

When the driver unintentionally departs from current lane, the system will remind the driver through the warning icon on the instrument cluster together with buzzer sound, and corresponding lane line on the instrument cluster is displayed in red. It means the vehicle is at the risk of lane departure, and the driver shall correct the vehicle to original lane in time.

2

Caution
LDW is only a driving function for alarm assistance.
The driver shall never fully rely on the LDW function to reminder of lane departure, but shall bear the responsibility of safe driving. LDW cannot function under all driving conditions or traffic, weather and road conditions.
When the lane keeping assist system fails, i.e. after the lane keeping assist function is activated, the "LDW (Lane Departure Warning)/LKA (Lane Keeping Assist) warning light (yellow)"  is always on, please go to our service dealer for repair.

# Starting and Driving

---

## Service restrictions

LDW cannot clearly detect the lane lines all the time. You may receive useless or invalid warning in the following conditions:

- Road construction areas, sharp turn or narrow roads.
- Dark (poor lighting) or weather conditions (due to heavy rain, snow, fog and wind). The recognition capability of the camera is deteriorated under direct sunlight or oncoming strong light.
- The camera's view is blocked by the large vehicle ahead or vehicle running nearby. The windshield in the camera's view is blocked (by water mist, dust or paster, etc.).
- The width and quality of lane lines are unsatisfactory, for example, the lane lines are worn and blocked, the new and old lane lines coexist, or change of lane lines in construction sections. A large area of shadows are formed by the projection of trees, large objects or landscape features on the lane.
- LDW may miss warning or send incorrect warning in the following conditions:
  - For camera restrictions, see “Camera”.
  - Weather conditions (heavy rain, snow, fog, extreme hot or cold temperature) interferes with camera operation.

The warnings and restrictions above do not cover all situations that may interfere with LDW. There are many factors that may disable LDW function. To avoid departure from the current lane, the driver shall keep alert, and pay close attention to the road conditions, so as to take corrective measures as early as possible.

## LKA (Lane Keeping Assist)

When activated, LKA function will determine the position of vehicle relative to the lane lines based on the road boundary information acquired by the camera, and in combination of the vehicle state and the driver input, alarm the driver or return to the vehicle to the original lane by intervening the turning if the driver unintentionally departs from the lane. The function is a safety function, which corrects the vehicle when the vehicle is about to depart from the lane. It is not a comfort function of lane centering, etc., so the driver shall hold the steering wheel at the time.

The LKA function will be enabled when the vehicle speed is at 60km/h - 120km/h and the road markings are visible. The system will not send alarm messages or automatically intervene the turning when the driver drives at low speed or takes active driving (judged by turning on direction indicator/changing lane in emergency).

### Function on or off

The button for the LKA to be on or off is the same one as for LDW. See “LDW (Lane Departure Warning)” in this section for the operation mode.

### Information prompt

When the driver unintentionally departs from current lane, the system will remind the driver through the warning icon on

# Starting and Driving

the instrument cluster together with buzzer sound, and may intervene the turning to return the vehicle to the original lane.

## Caution


LDW is only a driver assistance function. The driver shall never fully rely on the LKA function to prevent the vehicle from departure of the current lane, but shall bear the responsibility of safe driving.

The driver shall observe traffic rules, and hold the steering wheel with both hands. If the driver has not held the steering wheel, the system will not provide the LKA function.

The LKA will not always help the driver correct the vehicle about to depart, and the driver must takeover the vehicle after LKA correction to ensure stable driving.

LKA cannot function under all driving conditions or traffic, weather and road conditions.

When the lane keeping assist system fails, i.e. after the lane keeping assist function is activated, the "LDW (Lane Departure Warning)/LKA (Lane Keeping Assist) warning light

(yellow)"  is always on, please go to our service dealer for repair.

If the vehicle suspension suite after replacement has not approved by us, the LKA system may operate improperly.

## Service restrictions

LKA cannot clearly detect the lane lines all the time. You may receive invalid warning or false interference in the following conditions:

- Road construction areas, sharp turn or narrow roads.
- Dark (poor lighting) or weather conditions (due to heavy rain, snow, fog and wind). The recognition capability of the camera is deteriorated under direct sunlight or oncoming strong light.
- The camera's view is blocked by the large vehicle ahead or vehicle running nearby. The windshield in the camera's view is blocked (by water mist, dust or paster, etc.).
- The width and quality of lane lines are unsatisfactory, for example, the lane lines are worn and blocked, the new and old lane lines coexist, or change of lane lines in construction sections. A large area of shadows are formed by the projection of trees, large objects or landscape features on the lane.
- LKA may miss warning or send incorrect warning in the following conditions:
  - For camera restrictions, see "Camera".
  - Weather conditions (heavy rain, snow, fog, extreme hot or cold temperature) interferes with camera operation.

The warnings and restrictions above do not cover all situations that may interfere with LKA. There are many factors that may disable LKA function. To avoid departure from the current lane, the driver shall keep alert, and pay close attention to the road conditions, so as to take corrective measures as early as possible.

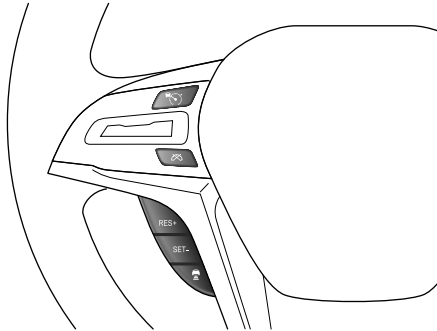
# Starting and Driving


## ACC (Adaptive Cruise Control)

ACC can help the driver maintain the same speed as the vehicle ahead for the preselected time interval. The adaptive cruise control system can bring you a more relaxed and comfortable driving experience when driving on clear highways and long straight trunk roads. The driver can set the required vehicle speed and the time interval with the vehicle ahead. When the camera and front millimeter wave radar sensor detect that the vehicle ahead is slowing down, your vehicle will automatically slow down accordingly. When the road ahead is clear again, your vehicle will be restored to the selected speed.


### Adaptive cruise control switch

The adaptive cruise control switch is located on the steering wheel.




: Adaptive cruise control master switch, short press to turn the system on.

When the adaptive cruise control is activated:

: Adaptive cruise control deactivation switch, short press to deactivate the adaptive cruise control without clearing the set cruise speed.

RES+: To increase the saved vehicle speed or re-activate the adaptive cruise control and restore the saved speed.

SET-: Decrease the stored vehicle speed.

: To set the following distance, adjust the following distance of the adaptive cruise control, and switch the following distance from Level 1 to Level 3 cyclically for each press.


### Activating ACC

After starting up the vehicle, the cruise function is turned on at a speed of 0 to 120 km/h.

When the "ACC (Adaptive Cruise Control) indicator (gray)"



on the instrument cluster illuminates, you can use the adaptive cruise control function, which is in standby state.

In this state, you can press  to activate the ACC (Adaptive Cruise Control) function.



# Starting and Driving

When the ACC (Adaptive Cruise Control) function is activated,

the "ACC (Adaptive Cruise Control) indicator (blue)" on the instrument cluster illuminates.



After the system is activated, your vehicle will cruise at the set speed when there is no vehicle ahead; when there is a target vehicle ahead which runs at a speed higher than your vehicle's cruise speed, the system will continue to run at the current cruise speed; when the vehicle ahead runs at a speed lower than your vehicle's cruise speed, the system will actively adjust the speed to keep the set time interval with the vehicle ahead for automatic following; when the vehicle ahead accelerates, the system will actively raise the speed to the set cruise speed.

ACC will perform intelligent speed limit at curves.

## Adjusting cruise speed

When ACC is enabled, you may increase or decrease cruise speed by using RES+/SET-.


Short press RES+/SET-, and the cruise speed changes at 5km/h. Long press RES+/SET-, and the cruise speed changes at 1km/h.

With ACC in an override state, pressing SET- will synchronize vehicle speed, that is, cruise speed will change to current actual speed.


## Cruise speed memory

ACC has been activated in this ignition cycle, and the cruising speed will be the previous speed when entering next time. The cruising speed is not stored in memory after the vehicle is powered off.

## Adjusting cruise distance

Short press  to switch the following distance from Level 1 to Level 3 cyclically for each press, and the current cruise distance can be confirmed through the display on the instrument cluster.

## Exiting ACC

If you need to exit the cruise manually, you may do it by pressing the ACC deactivation switch  or pressing the brake pedal. After exiting ACC, ACC indicator will change from blue to gray, or disappears.

## Resuming ACC

ACC has been activated in this ignition cycle. If you want the cruising speed of the next entry to be the previous speed, press the RES+ button.

If you cruise at current speed, you may resume ACC through the same operations of enabling ACC.

In the following conditions, the system will enter functional state and will not recover, and the instrument cluster will provide relevant information to prompt the need of resuming cruise:

- The follow and stop time exceeds 10 minutes.

# Starting and Driving

- Ultrasonic radar detects that there is a pedestrian ahead.

## Caution

The driver must always pay attention to the traffic conditions, and make intervene if the ACC system has not kept an appropriate speed or correct distance. ACC system is unable to deal with all traffic, weather and road conditions.

ACC is not a safety system, obstacle detector or collision warning system, but a comfort system, so that the driver must always remain in control and take full responsibility for the vehicle.

ACC can assist the driver, but cannot replace the driver to drive. The driver must drive cautiously and obey speed limit rules even when ACC is active.

If the driver steps on the accelerator pedal when ACC is active, the vehicle will be taken over by the driver. The distance control function of ACC system will not be activated.

Only under special conditions, can ACC respond to stationary objects, such as the tail-end of traffic flow and toll station, which are very specific.

In some cases (the relative speed of the vehicle ahead is too high, the lane change is too fast, or the safety distance is too small), the system does not have enough time to reduce the relative speed. In such cases, the driver must respond accordingly. The system is not able to send audible or image warning in every case.

## Caution

When entering and leaving the curve, the selection of target may be delayed or interfered. In these cases, the ACC vehicle may not be braked as expected or braked too late.

When driving on a road with sharp turns, such as on a serpentine road, the ACC vehicle may accelerate since the vehicle ahead is lost in the sensor's view due to restrictions.

If the distance between the ACC vehicle and adjacent lane is too small (or adjacent lane), ACC may respond to and brake the vehicle.

It is the driver's responsibility to determine and always maintain a safe following distance and never rely on ACC to maintain an accurate following distance.

In uphill and downhill conditions, there may be some error of the actual ACC cruise speed from the set cruise speed due to system restrictions. It may not provide enough speed control due to limited braking capacity and being on a slope, and may misjudge the distance from the vehicle ahead.

## Service restrictions

ACC relies on other systems, such as electronic stability control system. If the function of any system is disabled, the adaptive cruise control system will be automatically disabled. In the case of automatic deactivation, a sound signal will be emitted and a message will be displayed on the driver side display. The driver

must intervene to match the speed and distance of the vehicle ahead. The causes of automatic disabling may be:

- The driver opens the door.
- The engine hood or trunk is opened.
- The driver unfastened his/her seat belt.
- The brake pedal is depressed.
- The gear is placed in non-D position.
- The engine speed is too low/too high.
- The tire lost its grip.
- The braking temperature is too high.
- The parking brake is used.
- ESC (Electronic Stability Control) function is activated.
- AEB (Automatic Emergency Braking) function is activated.
- When ESC is turned off (i.e. when the ESC OFF button is pressed, the ESC OFF indicator on the instrument cluster illuminates, and the ESC system is turned off).
- Vehicle is collided.
- The recognition capability of the camera is deteriorated under direct sunlight or oncoming strong light.
- The camera or front millimeter wave radar sensor is faulty.
- The vehicle speed is higher than the maximum failure speed 130km/h.
- The road curve radius is less than 250m.
- For camera restrictions, see “Camera”.
- For radar restrictions, see “Radar”.

## ICA (Integrated Cruise Assist)

ICA is used to assist the driver in operating the vehicle on a structured road, and reduce the driver's fatigue due to repeated driving behavior during long-distance driving. This function can provide longitudinal and transverse auxiliary controls of the vehicle according to the traffic conditions in the driving direction; longitudinal control can achieve cruise control and car following, while transverse control enables the vehicle to be controlled near the center of lane according to the lane lines on both left and right, providing the driver with an easier driving mode.


ICA aims to follow the vehicle ahead and maintain the vehicle in its own lane at the following time interval set by the driver. If the camera and front millimeter wave radar sensor cannot detect any vehicle ahead, the speed set by the driver will be maintained. The above situation also occurs if the speed of the vehicle ahead exceeds the set speed. If the camera cannot see the lane lines ahead, ICA function will be restricted and degraded to adaptive cruise control.

### Enabling ICA


When the "ICA (Integrated Cruise Assist) indicator (gray)"




on the instrument cluster illuminates, you can use the ICA (Integrated Cruise Assist) function, which is in standby state.

In this state, you can press and hold the ACC master switch  to activate the ICA function.


# Starting and Driving

When the ICA (Integrated Cruise Assist) function is activated, the "ICA (Integrated Cruise Assist) indicator (blue)"  on the instrument cluster illuminates.

## Exiting ICA

If you need to exit the cruise manually, you may do it by pressing the ACC deactivation switch  or pressing the brake pedal. After exiting ICA, ICA indicator will change from blue to gray, or ACC indicator disappears.

## Resuming ICA

Long press the ACC master switch  to resume ICA.

### Caution

ICA is not a collision avoidance system. If the system does not detect the vehicle ahead, the driver must intervene. For intersections, ICA may correct the steering wheel, and require the driver to hold the steering wheel at the intersections and get ready to take over the vehicle at any time.

For people or animals, as well as small vehicles such as bicycles, motorcycles and electric bicycles, ICA will not apply the brake. This is also the case for flatbed trailers and approaching, slowly moving or stationary vehicles and objects.

### Caution

ICA shall not be used in case of urban roads, intersections, slippery surfaces, roads with accumulated water or mud, cloudy, rainy or snowy weather, poor visibility, winding roads or highway entrances and exits. The driver assistance system is not suitable for the situations in which the sunlight obliquely shines on the camera from the front of the vehicle and the high beam of the oncoming vehicle shines on the camera at night when entering/leaving a tunnel.

In case of dramatic change of lane lines ahead, such as lane merge, lane diversion, sudden increase or decrease of lane width, ICA may be exited, so please always be ready to take over the vehicle in advance.

ICA will occasionally assist turning when there is no need of turn assist or you are not intended to turn, which may be caused by unclear or irregular lane lines, or by other lines or objects similar to the lane lines on the lane surface. In this case, the driver shall take over the vehicle in time.

When ICA system detects that the driver is not holding the steering wheel, it will send a takeover request "please turn the steering wheel gently" prompt through the instrument cluster, with takeover warning sound, accompanied by a white light flashing. At the time point, the driver shall hold the steering wheel immediately, and take over if necessary to avoid danger. If the system detects that you have not taken over the vehicle for many times, the function will be exited actively to ensure safe driving.

## Service restrictions

The causes of automatic disabling may be:

- ACC function is exited or suppressed.
  - Lane conditions or lane levels are not met.
  - The driver turns on the direction indicator.
  - The driver opens the door.
  - The engine hood or trunk is opened.
  - The driver unfastened his/her seat belt.
  - The brake pedal is depressed.
  - The gear is placed in non-D position.
  - The engine speed is too low/too high.
  - The tire lost its grip.
  - The braking temperature is too high.
  - The parking brake is used.
  - ESC (Electronic Stability Control) function is activated.
  - AEB (Automatic Emergency Braking) function is activated.
  - When ESC is turned off (i.e. when the ESC OFF button is pressed, the ESC OFF indicator on the instrument cluster illuminates, and the ESC system is turned off).
  - Vehicle is collided.
  - The recognition capability of the camera is deteriorated under direct sunlight or oncoming strong light.
  - The camera or front millimeter wave radar sensor is faulty.
  - The vehicle speed is higher than the maximum failure speed 130km/h.
  - The road curve radius is less than 250m.
- For camera restrictions, see “Camera”.
  - For radar restrictions, see “Radar”.
  - The system may also be suppressed in the following conditions:
    - If the vehicle ahead is braked suddenly, unexpected braking or failure to brake may occur due to the restrictions of the camera and front millimeter wave radar. If the lane lines ahead change from narrow to wide or from wide to narrow, correction of the steering wheel with large angle may occur due to camera recognition restrictions and internal algorithm logic.
    - ICA is mainly used when driving on flat roads with clear lane lines. When driving with heavy loads on steep downhill roads, it may be difficult for the function to maintain the correct distance from the vehicle ahead. In these cases, take great care and prepare to brake at any time.
    - When driving on a road with sharp turns, such as on a serpentine road, ICA function may not detect the vehicle ahead due to the limited field of view of the front millimeter wave radar sensor and camera, which may cause ICA to accelerate the vehicle, and the driver is required to be prepared to take over the vehicle at any time.
    - If the distance between ICA vehicle and the adjacent lane is too small (or the vehicle in the adjacent lane is too close to ICA vehicle), the super cruise control may react to the

# Starting and Driving

---

vehicle and brake, and the driver should pay attention to the road changes and take over the vehicle timely.

- The performance of ICA on a slope depends on the vehicle speed, load, gradient of the slope and lane lines of the slope, etc. When the vehicle runs uphill, it may be required to depress the accelerator pedal to maintain the vehicle speed. When the vehicle runs downhill, it may be required to brake or shift to a lower gear to maintain the vehicle speed.

## SLIF (Speed Limit Information Function)

SLIF recognizes speed signs via intelligent front-view camera and sends relevant information to the instrument cluster, aiming to remind the driver the speed limit of current road to prevent overspeed. The system will not actively adjust the vehicle speed, which shall be controlled actively by the driver.

### Function on or off

Set in the center console screen: Settings->Advanced Driver Assistance->Speed Limit Assist, and select: SLIF On/Off.

### Function on conditions

- The vehicle speed is lower than or equals to 130km/h.
- The sensor signal is normal (camera).
- Speed limit sign is detected.
- The front-view camera module at the front windshield is not blocked/fogged.

**Note: When enabled, the function will not work temporarily when the vehicle speed is higher than 130km/h.**

### Information prompt

When the function is enabled, if the current vehicle speed is lower than that of the speed limit sign, the instrument cluster will display the current speed limit value.

When the current vehicle speed is detected to be greater than that of the speed limit sign, the traffic sign will flash with an audible alarm.



: It indicates the speed limit value of current road.

## Caution

When the system cannot recognize the speed limit sign ahead, the instrument cluster will not display the speed limit sign information. The system only prompts the speed limit information, but will not control the vehicle speed.

The recognition of speed limit signs by the system is not completely accurate, but recognition error occurs, so that the driver shall drive cautiously based on actual road conditions.

## Service restrictions

SLIF can only function properly when the speed signs are clear and visible. It may be unable to work or function under some situations: For example:

- Poor conditions of speed limit sign: such as fading, on the curve, improper placement angle, rotated or damaged, blocked fully or partly, too far away or too high, attached on the road surface.
- Driving so close to the vehicle ahead that the detection range of the camera is obstructed.
- Change to the road or speed limit recently, such as construction, regulation, etc.
- Some LED speed limit signs.
- For camera restrictions, see “Camera”.

## ISA (Intelligent Speed Assistance)

The ISA (Intelligent Speed Assistance) recognizes the speed signs by using the intelligent front view camera when the ACC function is activated, and sends relevant information to the instrument cluster to remind the driver to decelerate. If the driver fails to decelerate immediately, the system will actively decelerate.

When the intelligent speed assistance function is active, the system will actively decelerate according to the information of the speed limit sign. If the driver requires acceleration subjectively, the vehicle speed can be controlled by depressing the accelerator pedal. When the driver releases the accelerator pedal, the system will restore the speed limit control. The system will also deactivate the speed limit control by short pressing or long pressing the RES+ button.

## Function activation or deactivation

Set on the center console screen: Settings -> Advanced Driver Assistance -> Speed Limit Assist, where you can activate/deactivate the speed limit information function.

## Function activation conditions

- The vehicle speed is greater than 30 km/h and less than 130 km/h.
- The sensor signal is normal (camera).
- A speed limit sign is detected.

# Starting and Driving

- The front view camera module at the windshield is not blocked/fogged, etc.

**Note:** *After the function is activated, it will not work temporarily when the vehicle speed is less than 25 km/h or greater than 130 km/h.*

## Information prompts

If a speed limit sign is recognized when the current vehicle speed is less than the speed of the speed limit sign after the function is activated, the instrument cluster will display the current speed

limit value



If it is detected that the current vehicle speed is greater than the speed of the speed limit sign, the system will actively decelerate, the intelligent speed assistance function will be activated, the speed limit sign will flash, and the instrument cluster will display



## Caution

When the system cannot recognize the information of the speed limit sign ahead, the instrument cluster will not display the speed limit sign information.

The recognition of speed limit signs by the system is not entirely accurate, so that false recognition may occur, and the driver should drive carefully according to the actual road conditions.

This is an auxiliary function only and cannot help the driver decelerate at any time. The driver should always pay attention to the traffic ahead and follow the traffic regulations.

## Usage restrictions

The traffic sign information function works properly only when the speed signs are clearly visible. It may not work properly or may not work in some cases. For example:

- Speed limit signs in poor condition, e.g. faded, on a curve, improper angle, rotated or damaged, fully or partially blocked, too far or too high, adhering to the road surface.
- Driving too close to the vehicle ahead, which obstructs the detection range of the camera.
- Recent changes to road or speed limit, such as construction and restrictions.
- Some LED speed limit signs.
- See "Camera" for camera restrictions.



# Starting and Driving

## IHC (Intelligent High beam Control)

The IHC recognizes the traffic environment ahead through the front view camera on the vehicle, and automatically controls the switching of high and low beams to prevent dazzling the vehicle ahead and oncoming vehicles, and improve the driving safety and comfort in dark environments, especially at night.

### Function on or off

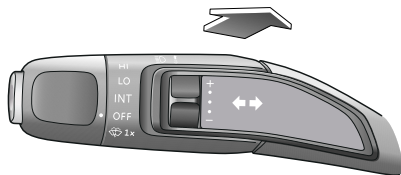
#### Function on mode

Set on the center console screen: Exterior Lights -> Light Settings -> Activate Intelligent High beam Control Switch.

#### Function off mode

The IHC can be deactivated in two ways:

- Press and hold the high beam or turn signal lever switch towards the steering wheel for more than 2 seconds.



- Set on the center console screen: Exterior Lights -> Light Settings -> Deactivate Intelligent High beam Control Switch.


### Function on conditions


- The vehicle speed is greater than or equals to 40km/h.
- The light control switch is in AUTO position.
- The headlamp low beam  $\text{☾}$  illuminates.
- The front-view camera module at the front windshield is not blocked/fogged.

**Note: When enabled, the function will not work temporarily when the vehicle speed is lower than 25km/h.**

### Information prompt

When IHC function is enabled, its operation state can be observed through the IHC indicator on the instrument cluster.

When the “IHC indicator (blue)”  illuminates, it means the high beam on conditions are met, and the system will automatically turn on the high team.

When the “IHC indicator (gray)”  illuminates, it means the high beam on conditions are not met, and the system will automatically turn off the high team.

When the IHC is faulty, the instrument cluster will prompt that the system is unavailable through the pup-up “IHC unavailable”.

# Starting and Driving

## Caution

Front-view camera module is installed on the front windshield. Note that the camera's view cannot be blocked by objects, which may suppress the IHC function.

IHC cannot accurately perceive the surrounding environment, which may cause incorrect adjustment of the high beam/low beam. Please observe local traffic laws and regulations and use the function properly.

IHC is only a comfort function, and drivers need to drive cautiously when using it.

## Service restrictions

- IHC function may be limited to camera state and suppression conditions. If the front-view camera module is not properly calibrated, IHC performance will be reduced.
- IHC performance may be reduced due to limited field of vision caused by dust over, rain, snow, fog, ice, and other factors.
- IHC performance may be reduced due to the interference of ambient light source. IHC performance may be reduced by highly reflective objects in the perception range of front-view camera module during driving.
- When ABS or ESC function is activated, the high beam and low beam states cannot be switched.
- IHC may be degraded in adverse weather conditions, such as wind, heavy rain, dense fog, etc.
- For camera restrictions, see "Camera".

## Tires



### **DEFECTIVE TIRES ARE DANGEROUS!**

**Do NOT drive your vehicle if any tire is excessively worn, damaged or inflated to an incorrect pressure.**

**Do NOT overload vehicle.**

Incorrect tire inflation pressures or an unbalanced wheel and tire assembly can seriously affect the stability, especially when driving with high payloads or at high speeds. Under-inflation will increase rolling resistance, increase fuel consumption and accelerate tire wear, resulting in tire damage, even an accident.

Always drive with consideration for the condition of the tires; the most common causes of tire failure are:

- Bumping against curbs.
- Driving over deep pot holes.
- Tire under-inflation or pressure overload during driving.

Uneven tread wear can be caused by faulty wheel alignment.

# Starting and Driving

## Winter tires



The vehicle speed shall not exceed the maximum allowable speed of the installed winter tires, otherwise the tires may suddenly lose pressure, delaminate, or even burst, which may easily cause accidents!

Be sure to adjust the speed according to the specific climate, roads and traffic conditions. Do not take risks by taking advantage of the anti-skid performance provided by winter tires and beware accidents!

Winter tires can improve the handling stability and braking performance of the vehicle when driving in a low temperature environment or on icy roads. It is suggested that winter tires should be used when the temperature is lower than 7°C.

When a vehicle is running under winter road conditions, winter tires can greatly improve the handling stability and braking performance. Non-winter tires have poor skid resistance at low temperatures or on icy roads due to their structure (tire width, rubber composition, pattern type, etc.).

It is recommended to use winter tires of the same size and load index as that of the original tires, and all the four wheels shall use winter tires.

When the tread depth of winter tires is worn to 4mm, the skid resistance will decrease obviously.

The maximum allowable speed of winter tires shall be subject to the speed code on the tires.

Speed symbol	Maximum speed (km/h)
C	60
D	65
E	70
F	80
G	90
J	100
K	110
L	120
M	130
N	140
P	150
Q	160
R	170
S	180
T	190
H	210
V	240
W	270
Y	300

# Starting and Driving

---

When the temperature rises above 7°C, it is recommended to replace winter tires with non-winter tires.

## Anti-skid chain

When driving a vehicle in the snow, it is recommended to apply S anti-skid chain to the driving wheels.

The anti-skid chain could increase the traction when driving on roads in winter. If you want to install the anti-skid chain, please remember that:

- 1 Not all wheels and tires are suitable for an anti-skid chain.  
When installing anti-skid chains, only approved tire size can be used.
- 2 Install anti-skid chains on the drive wheels. Please follow the instructions of anti-skid chain manufacturer.

It is just in the snow that you can drive the vehicle at maximum speed allowed by the anti-skid chain. Please comply with the regulatory requirements of the resident country. Remove the anti-skid chain immediately when driving on the snow-free road.

## Loading

It is the driver's responsibility to ensure no overload in accordance with the laws.

**Note: The maximum allowed total mass is indicated on the vehicle identification plate which is located in the lower front of on the B pillar. This Handbook introduces the correct vehicle weight parameters, see "Vehicle weight parameters" in General Technical Parameters section.**

## Load carrying

Goods shall be placed between both axles and neither deviate to the front axle loading area nor the rear axle loading area. Heavier goods shall be distributed evenly, and the heaviest goods shall be placed between both axles.

### Caution

During the driving of the vehicle, the tailgate of the container shall not be opened. When the vehicle is stopped, the total weight of people and goods shall be controlled below 200kg when using the tailgate of the container to get on and off and load and unload goods.

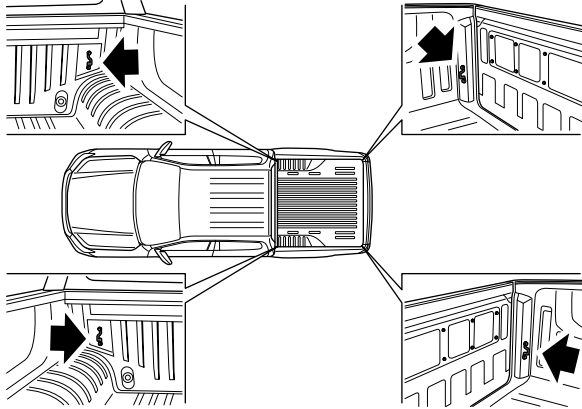
## Load restraint



**Secure all loads in the vehicle to prevent personal injury due to movement of loads.**

# Starting and Driving

**Note:** The driver is obliged to ensure all goods have been fixed correctly.



Cord hook (strapping ring) in the container can withstand the maximum vertical and 45 ° tensile force of 1500N.

## Hazardous loads

There is a legal requirement to display a specific type of external warning sign on the vehicle if certain hazardous goods are being carried.

## Roof Rack and Load Device

**!** Be sure to place your luggage properly on the roof rack, otherwise accidents may occur. Under any circumstances, the maximum roof load, maximum axle load or maximum total vehicle load shall not be exceeded, otherwise accidents may occur. The roof rack with loaded items will reduce the vehicle stability, especially during turns and crosswind. When placing heavy or bulky luggage on the roof rack, the centroid position deviation of the vehicle and the wind resistance may affect the vehicle's drivability and cause accidents. Under this circumstances, you should adjust the driving mode and speed according to the actual situation. Off-road driving with items on the roof rack is not recommended.

The drivability of the vehicle may be affected by the loading items. Only the rack system designed for your vehicle can be fitted. Please consult Our Service Dealer for more information.

For the roof rack system of SMC approved by our company, the maximum driving load is 30 kg, and the maximum driving load for other roof rack systems is 50 kg. The weight of the approved rack system is not included in the loading capacity.

If other roof rack system is used, the system's own weight must be included in the loading capacity.

# Starting and Driving

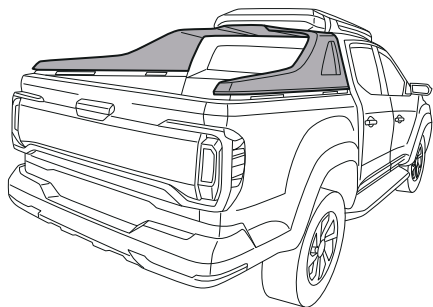
---

The loading items must be distributed evenly and not suspended on the rack. Check the connection between the rack and the loading items after driving 50 km.

## Roll cage for passenger cars

**Note:** *It applies to vehicles configured with roll cage for passenger cars.*

The roll cage for passenger cars is only for decoration, and does not allow stepping or strapping (strapping heavy objects).



## Trailer towing

### Instructions of trailer towing

The vehicles are designed for use primarily as a passenger and load bearing vehicle. Towing a trailer may create adverse effects on a number of factors including fuel consumption, handling, durability, performance and braking. We recommend for the safety of yourself, your passengers and others that the vehicle and trailer is not overloaded.

The warranty does not cover any damages caused by or relating to towing a trailer.

- Weight limits

Establish that gross vehicle weight, trailer tow ball down load, trailer weight and axle weights are all in accordance and not exceeding their individual limits.

- Gross vehicle weight

Please refer to your vehicles data label for reference on what gross vehicle weight must not be exceeded.

Gross vehicle weight is the combined weight total of the trailer towbar, unloaded vehicle, driver, luggage and passengers. This also includes the weight of any accessories or equipment added to the vehicle.

# Starting and Driving



**Front end accessories such as bull bars, lights, winches etc. may restrict air flow to the vehicles cooling system. When the vehicle is under load, especially when towing, restricted air flow to the cooling system may decrease the efficiency of the radiator and intercooler as well as increase operating temperatures of the engine and transmission.**

**To prevent engine damage the vehicle ECU will cut power to the engine to allow it to cool down before internal damage can occur (also known as Limp Mode). Any damage caused by or relating to the fitment of aftermarket accessories will not be covered by factory warranty.**

## Instructions before use

- Comply with the state specific trailer towing regulations.
  - Do not exceed 100km/h. When driving on complex road conditions (requiring frequent lane changes and turns), it is recommended that the maximum speed should not exceed 80km/h. The stability and operational flexibility of the vehicle are reduced when it is in a towed state. When driving on unsafe road conditions, the vehicle speed needs to be reduced, and there should be margin outside the emergency handling distance.
  - It is suggest using trailers equipped with sway dampers.
  - Only applies to center axle trailer. And do not exceed the load specified in “Recommended towing weight” when towing a trailer.
- When a new vehicle has been driven or a vehicle has had powertrain parts (Engine, transmission, transfer case, front and rear axle) changed to new parts, it is recommended not to tow a trailer until the driving distance reaches 800km.
  - Place the load as close as possible to the trailer axle, fix it securely and place it as low as possible, while ensuring that the towing weight and the load allowed by the tow ball are not exceeded (See "Recommended towing weight" for details). For best stability of the trailer in an unladen vehicle, place the load in the trailer towards the nose within the maximum nose load (See "Recommended towing weight" for details), as this gives the best stability.
  - The specified trailer loads are only applicable to an altitude less than 1,000m. As the air density decreases with the altitude increase, causing the engine output and grade ability to drop, the total mass must be reduced by 10% when the altitude increases by 1,000m.
  - The tires of towing vehicle shall be adjusted to the specified pressure, and the pressure of trailer tires shall also be checked, and on the rear tire pressure, at least 20kPa(0.2bar) above the tire pressure as recommended for normal use(i.e. without a trailer attached).
  - If the traffic conditions behind the trailer are invisible through the standard outside rear view mirrors, two additional rear view mirrors must be installed on the reversible boom and adjusted to ensure sufficient rear view at any time.
  - The headlamps shall be checked and adjusted if necessary after a trailer is hitched up.

# Starting and Driving

---

- Always use a safety chain that is suitable for your vehicle and trailer. Have the safety chain passing through the hole at the lower part of the hitch and attach it to the trailer. The safety chain will prevent the trailer from dropping to the ground in the event that the hitch disengages. For proper use and installation, consult the trailer manufacturer.
- When mechanical coupling device, whether fitted or not, could (partly) obscure the space for mounting and fixing the rear registration plate, the following shall apply:
  - 1 Installation of a mechanical coupling device that cannot be easily removed or repositioned is not permitted.
  - 2 A mechanical coupling device must always be removed or repositioned when it is not in use.

## Instructions for driving

- Before driving, check all the safety equipment to ensure safe operation. Ensure that the vehicle is properly maintained to avoid mechanical failure.
- Avoid non-loaded towing vehicle and loaded trailer as much as possible when driving. If it is inevitable, drive at low speed due to improper load distribution.
- As the driving stability of towing vehicle and trailer drops with the speed increase, the speed shall be as low as possible without exceeding the specified speed limit under the improper road, weather and strong wind conditions, especially when driving on a slope.
- When the trailer sways, grip the steering wheel firmly to drive straightforward, and release the accelerator pedal to

decelerate the vehicle slowly. Do not attempt to eliminate sway by turning the steering wheel or by emergency braking. The higher the speed, the stronger the trailer swaying. If the sway is still not eliminated after deceleration, stop the vehicle to check if the trailer weight distribution is even and the trailer device is installed securely.

- Under any conditions, the vehicle must be decelerated immediately once minor sway is noticed on the trailer, and never try to eliminate the sway through acceleration.
- If an inertia brake is installed on the trailer, first brake slowly and then brake rapidly when braking is required. This can avoid braking impact due to trailer wheel locking. When driving on a slope, shift to a lower gear immediately to make full use of engine braking action.
- Engine protection mode

The engine has an engine protection mode to reduce the chance of damage if the coolant temperature becomes too high (for example, when climbing up a long or steep grades in high temperature (at temperature over 30°C) with heavy loads, such as when towing a trailer). When the engine temperature reaches a certain level:

- 1 The engine coolant temperature gauge will move toward the high position.
- 2 Engine power may be reduced.
- 3 The air conditioning cooling function may be automatically turned off for a short time (the blower will continue to operate).



# Starting and Driving

Engine power and, under some conditions, vehicle speed will decrease. Vehicle speed can be controlled with the accelerator pedal, but the vehicle may not accelerate at the desired speed.

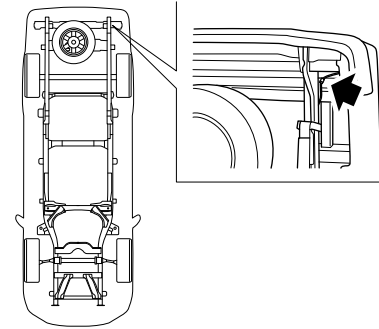
As driving conditions change and engine coolant temperature is reduced, vehicle speed can be increased using accelerator pedal, and the air conditioning cooling function will automatically be turned back on.

**! Overheating can result in reduced engine power and vehicle speed. The reduced speed may be lower than other traffic, which could increase the chance of a collision. Be especially careful when driving. If the vehicle cannot maintain a safe driving speed, pull to the side of the road in a safe area. Allow the engine to cool and return to normal operation.**

## Trailer control module

The trailer control module provides actuation functions for the width lamp, brake lamp, reverse lamp, turn signal lamp and rear fog lamp of the trailer. The trailer control module automatically identifies if a trailer is connected by the trailer detection.

Pull up the parking brake handle and turn off the ignition switch. Connect the trailer; see "Installation of trailer device" for details. Connect the trailer wiring harness. The harness connection points are as shown below. If the trailer wire harness is required, please contact our Service Dealers.



Turn the ignition switch to "ON" position. When the trailer is connected successfully, "trailer indicator(green)" on the instrument cluster stays on; When the turn signal lamp is turned on, "trailer indicator(green)" on the instrument cluster flashes. When the trailer connection fails, "trailer indicator(green)" on the instrument cluster goes off.



### Caution

- The width lamp, turn signal lamp or both of them on the trailer must be halogen lamp. Otherwise, it may be misjudged that the trailer is not connected, and normal operation of reverse radar system will be affected.
- When the ignition switch is turned to "ON" position, the trailer lamps may flash instantaneously. This is normal as the system is conducting self-check.

# Starting and Driving

## Recommended towing weight

### Towing capacity

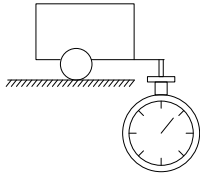
ATM(Without Trailer Brake)	ATM(With Trailer Brake)	GTM
750kg	3,500kg	6,350kg

**Note:** When the customer's rear trailer weighs 3,500kg, the loaded weight of the pickup truck cargo box cannot exceed 650kg.

### Trailer nose weight

#### Caution

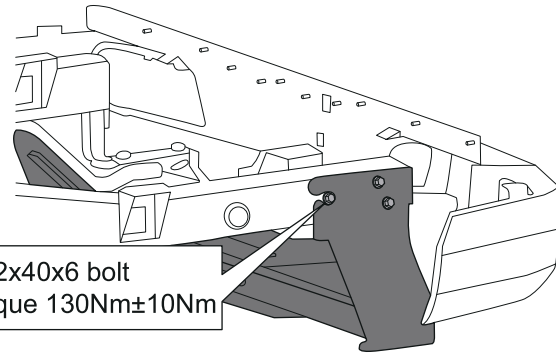
Never exceed the maximum allowable nose weight, for example, the vertical weight on the tow ball. This is important for the vehicle and trailer stability.



Variant	Maximum Nose Weight
All models	250kg

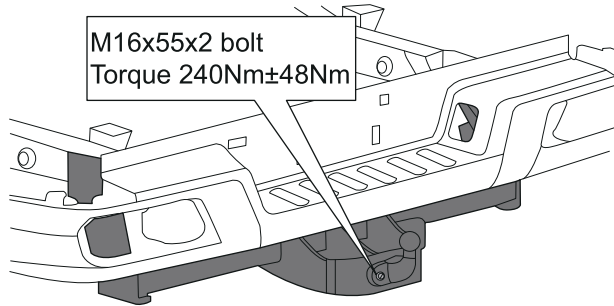
## Installation of trailer device

Install the trailer device onto the frame. The trailer device shares the same mounting points with the rear bumperbracket. It is required to remove the rear bumper assembly, and install the rear bumper assembly and trailer device together onto the frame, and then tighten the bolts to  $130\pm 10\text{Nm}$ . If the trailer device is required, please contact our Service Dealers.



## Starting and Driving

---



Type 8303, class A50-X series trailer device is approved for installation.

Approval number: E49\*55R02/02\*1002\*01.

### Maintenance

If the vehicle is commonly used for towing trailers, additional maintenance should be carried out on the vehicle during maintenance intervals, regular inspections should be conducted, and bolts and nuts should be tightened according to the assembly torque specified in the installation instructions to ensure continuous satisfaction with the vehicle.



## **Emergency Troubleshooting**

170 Hazard warning lamp

170 Warning triangle

171 Wheel replacement

176 Towing a vehicle

177 Draining fuel filter

178 Jump start


180 Fuse replacement

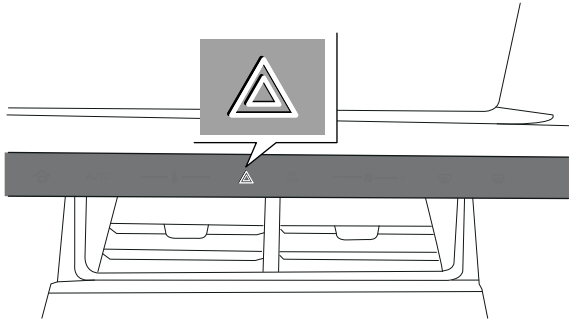
187 Bulb replacement

# Emergency Troubleshooting

---

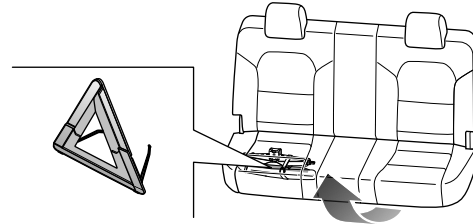
## Hazard warning lamp

When you encounter a problem during driving and have to stop the vehicle or slow down, you shall press the hazard warning lamp switch  in the dashboard, the "direction indicators (green)" on the instrument cluster will illuminate and flash, meanwhile all direction indicators flash to alert others and make the police know you are in trouble.



## Warning triangle

The warning triangle is placed under the second-row seats. When you encounters a problem during driving and have to pull the vehicle over, you must place a warning triangle about 100m right behind the vehicle to alert vehicles behind.



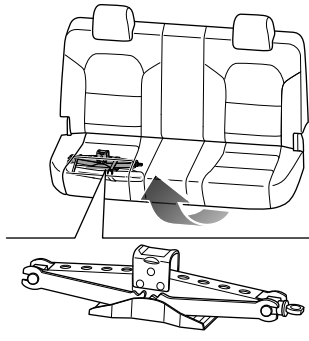
# Emergency Troubleshooting

## Wheel replacement

### Jack

#### Placement

The jack is placed under the second row seat (double row vehicle).



#### Specifications



**This jack is just for wheel replacement. Never use it for other purposes.**

**This jack is just for your vehicle and never uses it for other models.**

## Spare tire

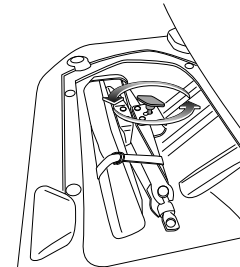


**Check the pressure of the spare tire regularly. Using a spare tire of incorrect tire pressure will affect the wheel stability, which may cause danger and permanent damage to the wheel.**

The spare tire is mounted at the rear bottom of the body; the wheel nut wrench in the vehicle tool kit can be used to rotate the pillar bolt of drive mechanism, thus releasing or tightening the rope for the spare wheel to achieve the function of spare tire replacement.

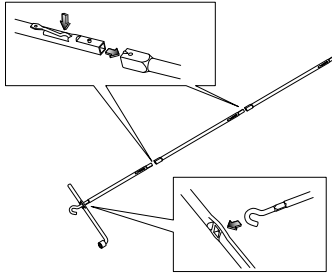
### Removing spare tire

- 1 Rotate the securing bolt of vehicle tool to take out the tool.

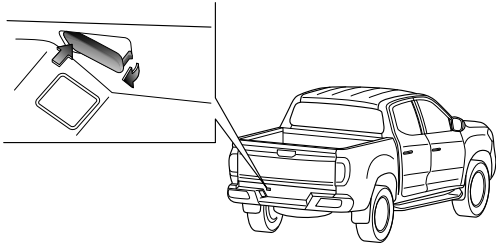


- 2 Mount the auxiliary rotary post and the wheel nut wrench.

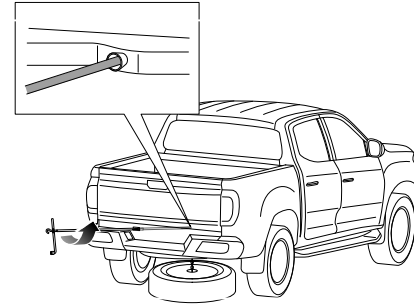
# Emergency Troubleshooting



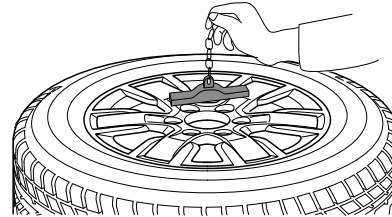
- 3 Press the left end of the cover with hand and then open the rear bumper cover.



- 4 Insert the auxiliary rotary post into the spare tire loading/unloading hole through the cover, and then rotate the wheel nut wrench counterclockwise to lower the spare tire till the tire lands on the ground.



- 5 After the spare tire lands on the ground, continue to rotate the wheel nut wrench counterclockwise and, at the same time, pull out the spare tire. Excessive rotation of the wrench is prohibited, or the spare tire device will be damaged.
- 6 Remove the tray from the spare tire.

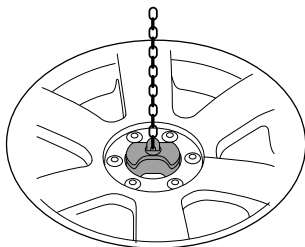




# Emergency Troubleshooting

## Storing the spare tire

- 1 Place the wheel on the ground with the air valve facing up.
- 2 Place the wheel at the rear bottom of the vehicle.
- 3 Place the spare tire tray in the center of the rim, and adjust it to the proper position to make it tightly connected to the spare tire.



- 4 Rotate the wheel nut wrench clockwise till the nut is tightened.

### Caution

After placing the wheel on the spare tire holder, check whether the wheel mounting is tight. If the wheel is loose, it may fall off owing to vibration and cause an accident.

- 5 Close the rear bumper cover.

## Replacing tire

### Vehicle parking

**!** Park your vehicle in firm and level ground without disturbing traffic or traffic hazard to yourself.

If on the public road, please turn on hazard warning light and position a warning triangle.

Ensure that the ground where the jack is located is firm enough to support the jack and the vehicle to be lifted; otherwise it will move for instability, causing damage to the vehicle and/or personal safety.

Secure other wheels with proper wheel stoppers.

Never use jack if the ground is sloping. If jack is unsuitable to use or you are unsure to complete the task safely, please ask for assistance.

Front wheels must be straight-ahead.

When the engine is shut down, apply the parking brake. For vehicles equipped with manual transmission, put the gear lever to 1st gear (flat or uphill) or gear R (downhill). For vehicles with automatic transmission, put the gear lever in P gear.

# Emergency Troubleshooting

## Positioning jack

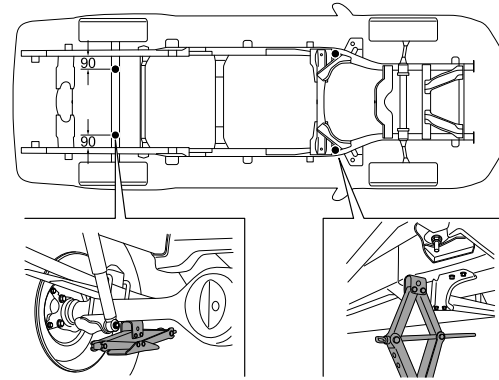
**!** Only use jack at specified jacking points. The lifting height shall not be more than the height necessary for tire replacement (such as no more than 30cm above the ground).

Before using the jack, ensure all passengers have left the vehicle.

No person should place any portion of their body under a vehicle that is supported by a jack.

The jack shall be perpendicular to the vehicle body while lifting.

The jack points for front wheels are located on lower plane of the side member (between the 4th cross member and the 2nd suspension). The jack points for rear wheels are located on the rear axle housing (about 90mm from the rear leaf spring); meanwhile, concave of the jack should be aligned with camber of the rear axle housing sleeve.



## Replacing with spare tire

**!** During the lifting, do not start the engine. Never walk under the lifted vehicle.

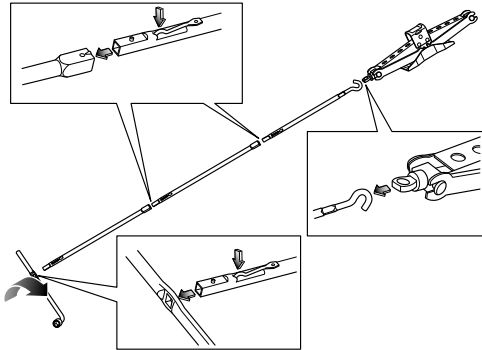
Before removing the wheel nut, make sure the vehicle is stable and will not slide or move.

Torque wrench shall be used to check exact tightened torque of wheel nuts and tire pressure as soon as possible after replacing the wheel.

Replaced wheel, jack and vehicle tool kit must be stored in specified location. Otherwise they may cause damage or personal injury during impact or heavy braking if casually or improperly placed.

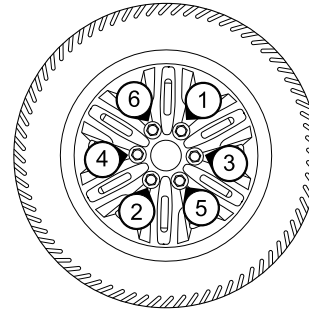
## Emergency Troubleshooting

- 1 Remove the spare tire (See "Spare tire" in this section).
- 2 Check whether the jack is still perpendicular to the jacking points; Change position when necessary.
- 3 Use the wheel nut wrench in the vehicle tool kit to loosen the wheel nut counterclockwise.
- 4 Install the auxiliary rotating extension bar and turn the wheel nut wrench clockwise until the wheel to be replaced is just off the ground.



- 5 Remove the retaining nuts of the wheel and then carefully remove the wheel.
- 6 Replace it with the spare wheel and then tighten the wheel nuts clockwise.
- 7 Lower the vehicle body and remove the jack.

- 8 Fully tighten the retaining nuts of the wheel in a diagonal order (see the diagram); the wheel nut torque is  $125\pm 13\text{Nm}$ .
- 9 Put away the replaced wheel, auxiliary rotary post of the jack, wheel nut wrench, jack and vehicle tool kit.
- 10 Mount the replaced wheel into the position of spare tire, see "Spare tire" in this section.



### Caution

Be sure to fully lift and tighten the tray of the spare tire device even if no spare tire is mounted.

# Emergency Troubleshooting

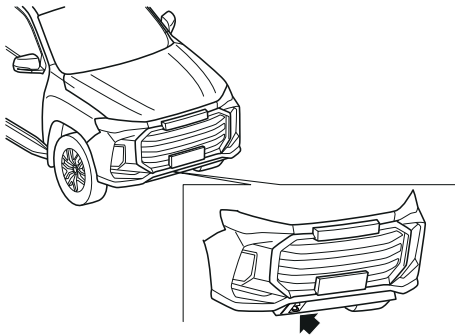
## Towing a vehicle

While towing or being towed, relative national regulations about vehicle towing shall be abided by.

### Towing hitch

#### Front towing hitch

The front towing hitch is located at the lower right side of front bumper.



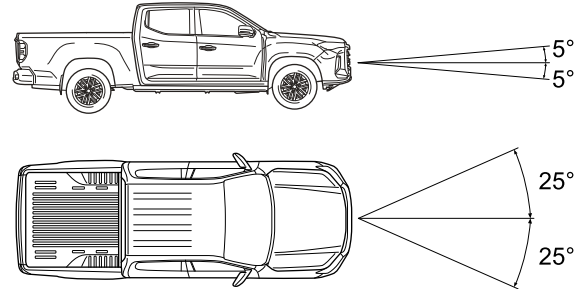
**Note:** For vehicles configured with front towing hitch cover, when towing the vehicle, it is required to remove the towing hitch cover. First press the upper end of the cover inward, and rotate it to pull out the towing hitch cover. After removal, please note that the towing hitch cover shall

**be placed in the vehicle in case of loss, and reinstall the towing hitch cover after vehicle towing is completed.**

#### Caution

The mass that the front towing eye can bear is 1/2GVW (total mass). Do not tow the vehicle with a mass more than this value.


The application range of towing rope is as shown below:



# Emergency Troubleshooting


## Towing

### Before towed

 To ensure the steering gear can rotate freely, turn the ignition switch to "ON" position and keep it in this position during towing process. This is to ensure the steering is unlocked, and the turn signal lamps and brake lamps can operate.

### Being towed

When the vehicle is being towed, release the parking brake and engage N gear.

 **There is no brake booster assist or power steering assist when the engine is not running. In this case, it needs to operate the brake pedal with larger force and rotate the steering wheel for longer time.**

#### Caution

- When towing vehicles, for 2WD AT models, be sure to lift the driving wheels off the ground, and maintain the towing speed less than 50km/h. When the towing distance is less than 50km, place the shift lever in N gear.
- When towing vehicles, for 2WD MT models, the shift lever must be placed in N gear.
- When towing vehicles, for 4WD models, please tow the whole vehicle with a flat bed trailer.

## Draining fuel filter

*Note: It applies to vehicles equipped with diesel engine.*

 Be sure to wear proper gloves to protect hands from diesel.

Drain water according to the following steps:

- 1 Turn the ignition switch to "LOCK" position.
- 2 Place a suitable container under the fuel filter drain bolt and unscrew the bolt (1) with an appropriate tool.
- 3 If clean diesel flows out, re-tighten the drain bolt (1), with the tightening torque of 2 ~ 2.5 Nm.
- 4 Start the engine. "fuel filter water level warning light (yellow)" shall go out after about 2 seconds. Check the filter for fuel leakage.

#### Caution

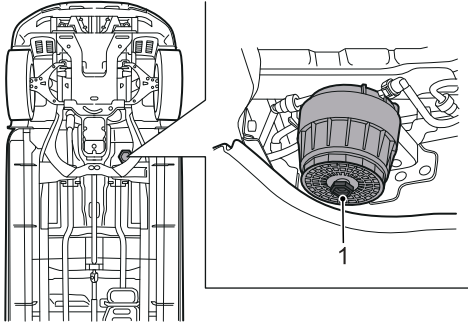
If "fuel filter water level warning light (yellow)" in the instrument cluster illuminates while driving, please park the vehicle in a safe place, shut down the engine and drain water.



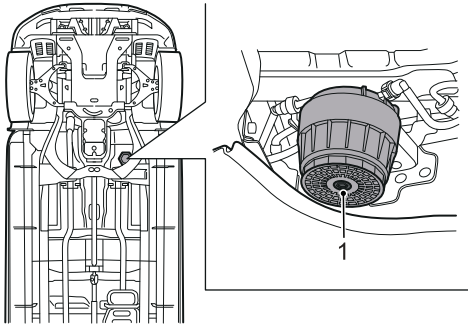
**Do not pour diesel fuel into domestic or public sewage system. Please use locally approved waste treatment equipment.**

# Emergency Troubleshooting

## Type 1



## Type 2

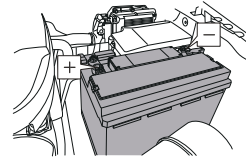


## Jump start

### Battery disconnection

**!** Always wear protective gloves and eye protecting glasses when working on a battery. Do not use naked light, cause sparks or smoke in the area of the battery. You can be seriously injured and the vehicle damaged.

To disconnect battery, disconnect negative (-) earth terminal first and then positive (+). To connect battery, install and secure positive cable (+) first and then negative (-) cable. Smear the terminals with petroleum jelly.



### Caution

Before disconnecting the battery, always shut down the engine and all electrical devices for more than 2 minutes. While disconnecting, never allow the terminal to contact with the metal parts of vehicle body. Otherwise short circuit may cause electric spark. Electrical system may be damaged if connecting positive and negative cables reversely.

# Emergency Troubleshooting

## Jump start

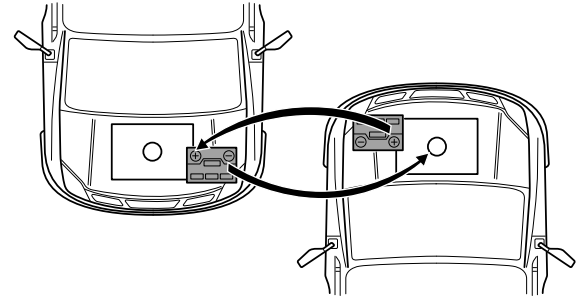


Never pull or tow the vehicle to start.

Ensure the rated voltage of two batteries is the same (12 V) and the jumper cable is acknowledged as the cable used for 12V vehicle battery.

## Jumper

- Pull two vehicles together as possible.
- Shut down the engine and all electric equipment immediately.
- Connect the positive terminals (+) of two batteries with red jumper cable.
- Connect black jumper cable from power supplying battery negative terminal (-) to earth point (not negative terminal) of battery that needs to be powered.
- Ensure all connection mechanisms are well connected.
- Check whether the jumper cable is clear of any moving parts when the engine starts.
- Check whether the parking brake handles of both vehicles have been engaged and whether the gear lever is in N (MT model) or P (AT model) gear.



## Starting

Start the vehicle whose battery supplies power and allow it to idle for several minutes.

- Start the vehicle whose battery needs to be powered.
- Allow the engine to idle for more than 2 minutes after started.

**Note:** *If it fails to start after several attempts, the vehicle may need maintenance.*

## Disconnecting

- Shut down the engine of the vehicle that supplies power.
- Ensure the cable terminals shall not contact with each other or any moving parts of the engine while disconnecting.
- Remove the jumper cable. Removal is the reverse of connection.

# Emergency Troubleshooting

## Fuse replacement

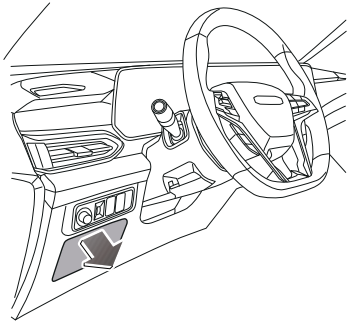
Fuses of this vehicle are located in three boxes.

### Caution

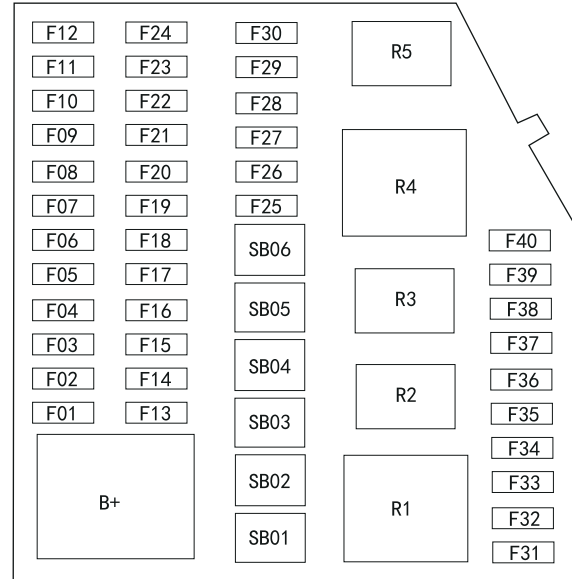
Spillage of liquid to any electric components in the vehicle may damage the components, so it is required to cover any electric components. The content of the fuse specification list will be constantly updated according to the vehicle configuration and technical status, please refer to actual state of your vehicle.

## Driver compartment fuse box

Driver compartment fuse box is located behind the lower the dashboard at driver side.



Fuses in the driver compartment fuse box can be identified by the label on the back of lower storage box cover at driver side.



## Specifications

Code	Specification	Function
F01	10A	HVAC/tachograph/electronic anti-glare mirror
F02	10A	Electronic shift lever



## Emergency Troubleshooting

Code	Specification	Function
F03	10A	Auto mirror
F04	10A	Entertainment host
F05	10A	Integrated gateway
F06	10A	Reverse radar power supply
F07	10A	Electric steering column lock
F08	20A	Steering wheel heating
F09	10A	IBDU/ICU/FICM/360 module
F10	10A	Mirror adjustment/inverter/power window
F11	10A	USB
F12	20A	Cigarette lighter
F13	25A	ICU1
F14	25A	ICU2
F15	15A	Door lock motor control
F16	15A	Washing motor control
F17	10A	HVAC
F18	10A	Electronic shift lever
F19	20A	Inverter
F20	10A	Integrated gateway
F21	10A	OBD diagnosis
F22	10A	Rain and sunshine sensor/ADAS module

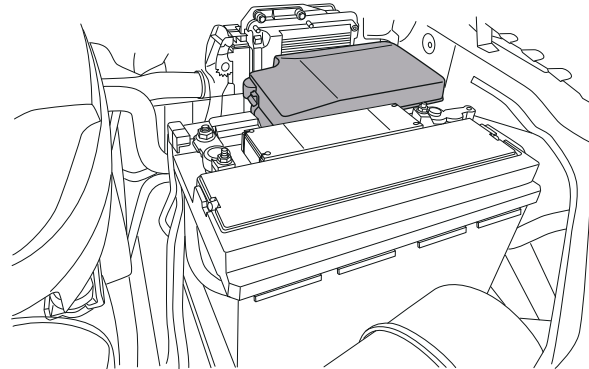
Code	Specification	Function
F23	30A	Front left electric seat
F24	10A	Ignition switch power supply
F25	30A	Front right electric seat
F26	10A	4WD switch/ETC
F27	10A	Rearview mirror fold
F28	20A	Power sunroof
F29	15A	Electric steering column lock
F30	15A	ACU power supply
F31	10A	ETC
F32	10A	Blower feedback
F33	/	Reserved
F34	/	Reserved
F35	/	Reserved
F36	/	Reserved
F37	/	Reserved
F38	/	Reserved
F39	10A	Rearview mirror heating
F40	20A	Reserved
SB1	40A	Blower
SB2	30A	Rear defroster/rearview mirror heating power supply

# Emergency Troubleshooting

Code	Specification	Function
SB3	25A	Reserved
SB4	25A	Reserved
SB5	25A	Reserved
SB6	25A	Reserved
R1	/	Front blower relay
R2	/	Reserved
R3	/	ACC relay
R4	/	Rear defroster/rearview mirror heating relay
R5	/	Reserved

## Front compartment fuse box

Front compartment fuse box is located at the right of compartment wall at the front hood bottom (viewed from the front of vehicle).



### Caution

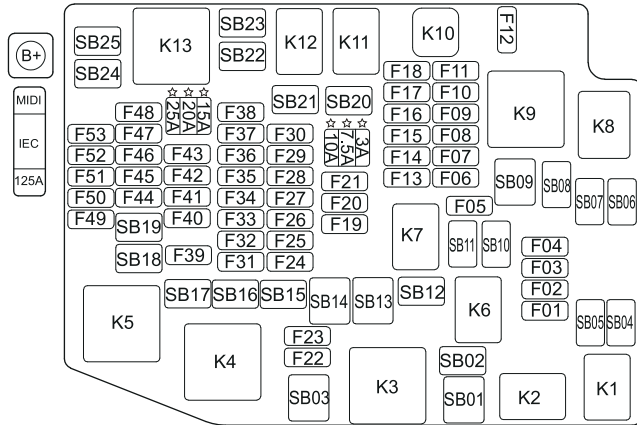
Before opening the fuse box cover, make sure its surroundings are dry and no fluid flows from any direction into the opened fuse box, otherwise the fuse box will be damaged, leading to serious consequences.

Fuse can be accessed by just removing the cover of front compartment fuse box. Fuses in the front compartment fuse

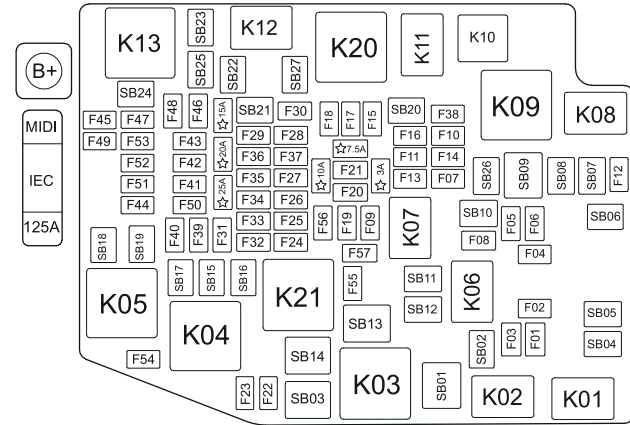
# Emergency Troubleshooting

box can be identified by the label printed at the back of the fuse box cover.

## Type 1



## Type 2



**Note:** The five-pointed star in the label is a spare fuse for replacement after the fuse is blown.

## Specifications

Code	Specification	Function
F01	20A	IBDU light power supply
F02	/	Reserved
F03	3A	Reserved
F04	/	Reserved
F05	10A	Front left heating

## Emergency Troubleshooting

Code	Specification	Function
F06	15A	Upstream nitrogen oxygen/front oxygen/rear oxygen sensor
F07	10A	Booster relief valve/switch type water pump
F08	10A	Urea pump
F09	10A	Glow plug controller/fuel filter/air conditioning pressure switch/850W fan/brake switch
F10	7.5A	Reserved
F11	15A	Reserved
F12	/	Reserved
F13	10A	D20 EMS
F14	20A	EMS D20/NF2/NF2 with P0
F15	20A	Expansion tank sensor/HCU with PM sensor of downstream nitrogen and oxygen/VVL valve
F16	20A	Electronic water pump/cylinder ignition coil
F17	15A	Electronic thermostat/intake VVT/exhaust VVT/carbon canister/OCV
F18	15A	Compressor
F19	25A	Rear right door window motor
F20	10A	Brake switch power supply
F21	15A	EMS power supply

Code	Specification	Function
F22	20A	IBDU light power supply
F23	25A	Front right door window motor
F24	/	Reserved
F25	10A	EMS KL15
F26	7.5A	EPS KL15
F27	10A	TCU KL15
F28	10A	Front millimeter wave radar
F29	10A	SRS KL15
F30	20A	Horn
F31	25A	Rear left door window motor
F32	10A	Transfer case KL15
F33	/	Reserved
F34	/	Reserved
F35	10A	ESC/ESP
F36	10A	IG relay feedback
F37	10A	Dimming motor
F38	10A	EMS
F39	20A	IBDU light power supply
F40	20A	IBDU light power supply
F41	10A	TCU
F42	/	Reserved

## Emergency Troubleshooting

Code	Specification	Function
F43	10A	Central control switch
F44	/	Reserved
F45	/	Reserved
F46	7.5A	IVI power supply/IPK/WPC power supply
F47	/	Reserved
F48	/	Reserved
F49	10A	Front right seat heating
F50	/	Reserved
F51	/	Reserved
F52	/	Reserved
F53	/	Reserved
F54	/	Reserved
F55	/	Reserved
F56	/	Reserved
F57	/	Reserved
SB01	60A	GCU
SB02	30A	Wiper motor
SB03	/	Reserved
SB04	/	Reserved
SB05	/	Reserved

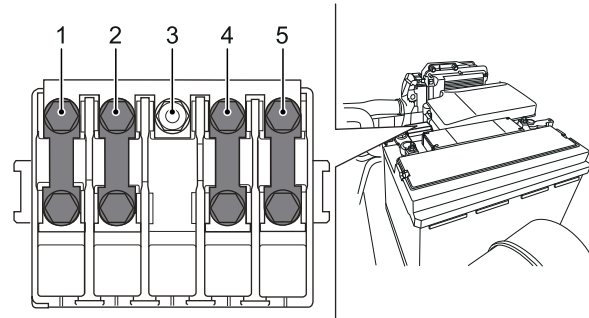
Code	Specification	Function
SB06	/	Reserved
SB07	30A	Fuel filter heating
SB08	30A	Transfer case
SB09	30A	ACC main power supply
SB10	30A	IBDU MOTO
SB11	30A	EMS start feedback signal/starter
SB12	25A	Oil pump power supply
SB13	30A	Front left door window motor
SB14	60A	ESP motor/ABS motor
SB15	30A	ABS valve
SB16	30A	Main fuse
SB17	30A	Transfer case
SB18	30A	IBDU power saving mode
SB19	30A	Trailer module
SB20	/	Reserved
SB21	30A	Trailer module
SB22	30A	Small fan power supply
SB23	30A	Main power supply of trailer
SB24	40A	ESP valve
SB25	40A	Urea heating controller
SB26	/	Reserved

# Emergency Troubleshooting

Code	Specification	Function
SB27	/	Reserved
MIDI 01	125A	Main fuse
K1	/	Front wiper high and low speed relay
K2	/	Front wiper switch relay
K3	/	Reserved
K4	/	IG relay
K5	/	KL30S relay
K6	/	Fuel pump relay
K7	/	Start relay
K8	/	Fuel filter heating relay
K9	/	Main relay
K10	/	Air conditioning clutch relay
K11	/	Reserved
K12	/	Fan relay
K13	/	Reserved
K20	/	Reserved
K21	/	Reserved

## Battery fuse box

The battery fuse box is located on the battery positive terminal.



## Specifications

Fuse	Specification	Function
1	120A	Electric fan
2	175A	UEC (front compartment fuse box)
3	/	Starter
4	100A	EPS (electric power steering unit)
5	175A	ALT (generator)

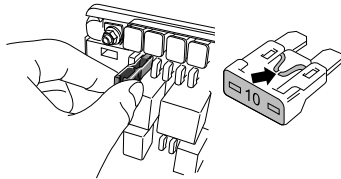
# Emergency Troubleshooting

## Fuse replacement

**!** Only replace with fuses of the same specifications/rated current. Installing nonspecific fuse will damage electrical system and even cause fire. Before attempting to replace the fuse, ignition switch and all electrical devices shall be turned off. Any unauthorized change to vehicle electrical system will cause serious adverse effect and fire on the electronic management system.

Pull the fuse outward with puller provided in fuse box to remove the fuse. Internal wiring of the fuse can be used to identify blown fuse (arrowed).

**Note: Repeated failure with the same fuse is the indication of circuit failure. Please contact Our Service Dealer as soon as possible.**



### Caution

Unauthorized change to electrical system of the vehicle will invalidate the warranty.

## Bulb replacement

Before replacing any bulb, turn off the ignition switch and the lamp switch, to avoid any possible short circuit.

When removing or installing the bulb, do not touch the bulb with hands. If touched, wipe away the hand print with a piece of cloth or alcohol.

### Caution

The type and specification of replaced bulb must be the same as that of the original bulb. For the lamp with the bulb of LED type, its bulb cannot be removed or replaced separately.

3

# Emergency Troubleshooting

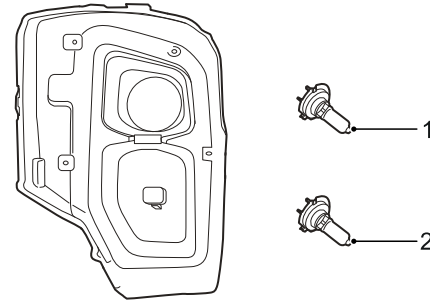
## Bulb specification

Lamp	Specification
Low beam (Type 1)	H7
High beam (Type 1)	H7
Front turning signal lamp (Type 1)	LED
Front position lamp (Type 1)	LED
Low beam (Type 2)	LED
High beam (Type 2)	LED
Front turning signal lamp (Type 2)	LED
Front position lamp (Type 2)	LED
Rear turning signal lamp	PY21W
Brake lamp/rear position lamp (Type 1)	P21/5W
Brake lamp/rear position lamp (Type 2)	LED
Reverse lamp	W16W
Rear fog lamp (Type 1)	P21W
Rear fog lamp (Type 2)	LED
License plate lamp	W5W
Front ceiling reading lamp	W5W
Rear ceiling reading lamp	C5W

## Bulb replacement

The followings are the methods for removing the bulb; for other unlisted bulbs that need to be replaced, please contact Our Service Dealer for repair. The bulb installation is the reverse of removal, which will not be described below.

### Front combination lamp (Type 1)



#### 1 Low beam

Open the bonnet, and perform the following operations at the rear of front combination lamp:

- Turn the bulb cover counterclockwise, to remove it.
- Remove the bulb.

#### 2 High beam

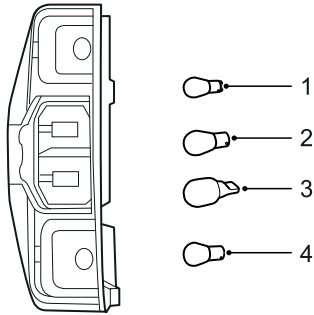


# Emergency Troubleshooting

Open the bonnet, and perform the following operations at the rear of front combination lamp:

- Turn the bulb cover counterclockwise, to remove it.
- Remove the bulb.

## Rear combination lamp (Type 1)



### 1 Brake lamp/rear position lamp

Open the tailgate, and perform the following operations to remove the rear combination lamp:

- Turn the bulb cover counterclockwise, to remove it.
- Remove the bulb.

### 2 Rear turning signal lamp

Open the tailgate, and perform the following operations to remove the rear combination lamp:

- Turn the bulb cover counterclockwise, to remove it.

- Remove the bulb.

### 3 Reverse lamp

Open the tailgate, and perform the following operations to remove the rear combination lamp:

- Turn the bulb cover counterclockwise, to remove it.
- Remove the bulb.

### 4 Rear fog lamp

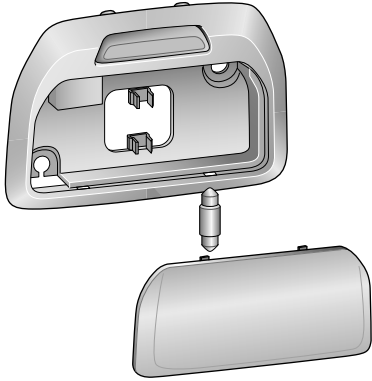
Open the tailgate, and perform the following operations to remove the rear combination lamp:

- Turn the bulb cover counterclockwise, to remove it.
- Remove the bulb.

## Emergency Troubleshooting

---

### Rear roof vanity light



Carefully pry up the lamp shade with a screwdriver or equivalent.

Remove the bulb of rear roof vanity light.

## **Maintenance and Service**

---

- 192 Safety
  - 193 Regular maintenance
  - 193 Owner's check
  - 194 Engine hood
  - 195 Engine compartment
  - 196 Engine oil
  - 197 Coolant
  - 199 Brake fluid
  - 200 Washer fluid
  - 201 Washer nozzle
  - 201 Wiper blades
  - 202 Seat belts
  - 203 Battery
  - 207 Tires
  - 209 Other maintenance
-

## Safety

During vehicle inspection or maintenance, take care to reduce risks of personal injury or vehicle damage, and always observe the following safety precautions.



**Turn off the ignition switch and carry the key with you, unless otherwise specified in special procedures.**

**When the engine is running, be sure to keep hands, tools and clothes away from the drive belt and belt pulley.**

**The radiator fan may start at any time (even when the engine is not running). Always ensure your hands, loose clothing (such as ties, scarves, etc.) stay away from fan blades.**

**After the engine is started/running, many components under the engine hood will be hot, such as the engine, exhaust system, cooling system. Do not touch until it is cooled down.**

**Do not touch wires or components with the ignition switch in "ON" position. Keep in mind that the batteries and wires carry with high current or voltage possibly causing personal injury. Avoid short circuit.**

**Do not start the engine in an unventilated place as poisonous gases exhausted is very dangerous.**

**If possible, operate in the engine compartment after engine shutdown and battery disconnection (see "Jump start" in Emergency Troubleshooting section). If components under the engine hood shall be inspected when the engine is running, make sure the vehicle is on a level ground, the parking brake has been applied and the shift lever is in N or P position. Keep match and open fire away from the battery area and all fuel related components. Do not smoke near these areas and components.**

**Most fluid used for motor vehicles are toxic. Do not drink or contact with skin or eye. These fluids include battery acid, coolant, brake fluid, fuel, detergent, lubricating oil, refrigerant, etc. Please wear protective gloves to refill these fluids. And observe all instructions on labels and containers. When operating on or under the vehicle, wear protective glasses if it is possible to touch splashed or fallen articles and sprayed fluid.**

**Long-term contact with engine oil may cause skin diseases, including dermatitis and skin cancer. Rinse it thoroughly after contact.**

**Be sure to keep children and pets away from the vehicle. Nobody is allowed to stay in the vehicle (except those work in the vehicle according to your instruction). Be sure to keep children away from oil, fluid and lubricating grease.**

# Maintenance and Service

---

## Regular maintenance

Regular maintenance is the key to economy, safety and reliability for your vehicle and it must be remembered that the responsibility for maintaining your vehicle in a safe, roadworthy condition rests ultimately on you, the owner/operator.

Necessary maintenance and the intervals have been specified to maintain your vehicle properly. Regular vehicle maintenance shall be done by Our Service Dealer in accordance with Warranty & Service Handbook.

It is in your best interest to have your vehicle regularly maintained in accordance with regulations.

Our Service Dealers are recommended as they have qualified personnel, required facilities and can offer the unique pre-planned service which will give maximum vehicle reliability.

## Owner's check

The following are a few simple but important checks which you should make at regular intervals before driving to ensure reliable and economic operation:

### Daily checks

- The lighting (make sure all lens are clean), horn, instrument cluster, warning lights and indicators, wipers and washers are functioning.
- The seat belts are intact.
- The brakes operates normally.
- Visually check if there is water, oil, fuel, exhaust fume and other leakage under the vehicle.

# Maintenance and Service

---

## Weekly checks or check before a long journey

- Check fluid level/refill.
  - Engine oil
  - Coolant
  - Windshield washer fluid
  - Brake fluid
- Check for condition and pressure of all tires (including the spare tire).
- Check and operate A/C system.

## Harsh conditions

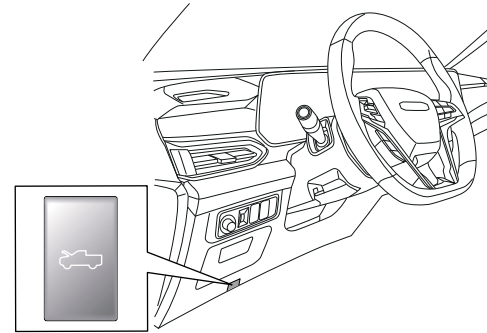
For vehicles often used in harsh conditions, it is recommended to shorten the maintenance interval.

Regular vehicle maintenance shall be done by Our Service Dealer in accordance with Warranty & Service Handbook.

## Engine hood

### Open engine hood

- 1 Pull the engine hood release switch below the driver side lower guard to release the engine hood.



- 2 Slightly raise the front part of engine hood, push the lever to right and lift the engine hood.

## Close engine hood

**!** When the ignition switch is in "ON" position, the radiator fan may start at any time (even if the engine is not running). Always ensure your hands, loose clothing (such as ties, scarves, etc.) stay away from fan blades.

If the engine is running, keep your hands, clothing, etc. away from the rotating pulley, drive belt, fan blades and other devices.

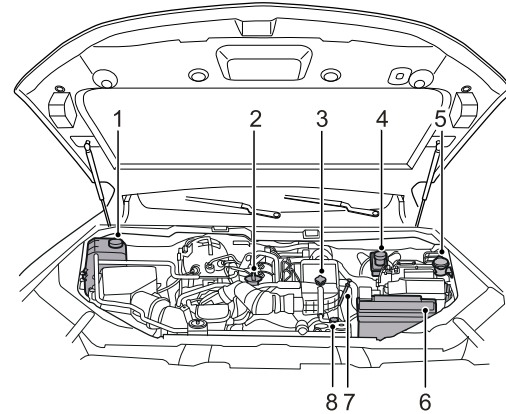
Press the front part of the engine hood down until the lock catch is heard to engage. Attempt to pull the engine hood upwards to check whether the lock mechanism is properly snapped.

### Caution

Before closing, check that there is no tools, rags, equipment, etc. left in the area under the engine hood.

## Engine compartment

### Vehicles equipped with diesel engine



- 1 Engine coolant reservoir
- 2 Oil filler cap
- 3 Water-air intercooler pressure cap
- 4 Brake fluid reservoir
- 5 Washer fluid reservoir
- 6 Battery
- 7 Oil dipstick
- 8 Water-air intercooler coolant reservoir cap

# Maintenance and Service

## Engine oil

It is recommended to use oil of correct grade, see "Recommended fluids" in General Technical Parameters section for specifications.

Our Service Dealer are ready to provide you with the latest updates and improvements on recommended oils. If the temperature in your area is extremely low (-30°C or less), it is recommended to use a special oil suitable for winter for your engine, please consult Our Service Dealer for details.

### Caution

Don't use the engine oil not conforming to the specified grade requirements. Improper use of oil may cause damage to the engine, thus the warranty will become invalid.

## Check and refill



**Do not exceed the 'MAX' mark when refilling.**

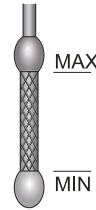
**Long-term frequent exposure to used engine oil can cause severe skin disease. Please avoid excessive skin contact with engine oil, in case of contact, rinse your skin thoroughly.**

**Keep the engine oil out of the reach of children and pets.**

Park the vehicle on a flat ground, idle the engine for 1 ~ 2 minutes, then turn off the ignition switch and wait for about 10 minutes to check the oil level.

Pull out the oil dipstick and wipe the blade with a paper or lint-free cloth. Completely insert the oil dipstick back and then pull out.

The oil level indication must be between "MAX" and "MIN" marks.



### Caution

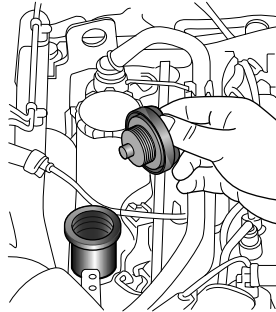
Check the engine oil level frequently, and refill as necessary. Both excessive and insufficient refilling of engine oil is likely to damage the engine, and the damage are not covered by warranty.

If you need to refill, please unscrew the oil filler cap, then add new oil of correct specification in several times and in small quantities. Repeat the oil level check process after the oil drops into the tank. Refill as necessary until the oil level is correct.





Empty containers and used oil can not be discarded randomly, so as to avoid environment pollution.



## Engine oil consumption

The engine oil consumption is affected by a variety of factors (these factors also affect fuel consumption), of which the oil type and driving pattern (especially in the "running-in" period) are the two most important factors. Generally, the engine oil consumption is higher in the "running-in" period and in continuous high-speed operation. You must follow the suggestions on driving tips in this Handbook. See "Driving" in Starting and Driving section.

## Coolant



Coolant is harmful if swallowed. Do not allow coolant to contact the eyes or skin. If it does, rinse immediately with plenty of water.

The coolant of correct specification can not only protect the engine from frozen damage, but also offer corrosion protection throughout the year. If coolant of correct specification is not added, do not drive the vehicle. For coolant specifications, see "Recommended fluids" in General Technical Parameters section.

At specified intervals the cooling system should be drained, flushed and refilled with the correct amount of coolant.

### Caution

When refilling or replacing coolant, only the specified coolant can be used. The use of non-recommended coolant could cause damage to the cooling system and may invalidate the warranty.

## Maintenance and Service

### Check and refill

**!** Do not remove the reservoir cap while the system is hot, for escaped water vapor or hot coolant may cause injury. If coolant has to be charged when the engine is hot, wait for 10 minutes, place a thick cloth over the reservoir cap and turn the cap slowly counterclockwise to release the pressure in the reservoir before removing the cap.

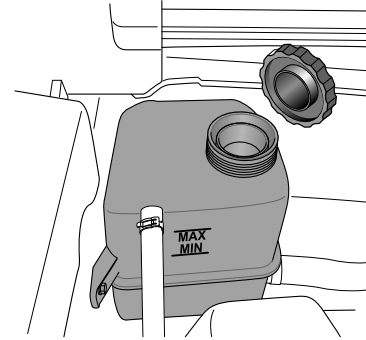
Be sure to check the coolant level when the vehicle is parked on a flat ground and the engine is not running (in cold state).

The level is visible on the coolant reservoir and the normal level shall be between 'MAX' and 'MIN' marks.

If the level drops to the "MIN" mark, clean the area around the coolant reservoir cap and rotate the cap counterclockwise to remove it. Top up with the specified coolant between "MAX" and "MIN" marks. Install the reservoir cap.

**Note:** *The coolant may expand when it becomes hot, so the liquid level may be higher than the level mark.*

**Note:** *Excessive refill may cause the coolant overflow when the engine temperature rises, which undermines the cooling effect. Simply refill the fluid to the indicated level when the engine is cool.*



#### Caution

If the level has fallen appreciably, or topping-up is required frequently, suspect leakage or overheating and contact Our Service Dealer for inspection.

## Precautions for cold weather

In order to reduce possible problems which may occur in cold weather, please consider the following suggestions:

- Since the standard freezing point of the coolant used in the vehicle is  $-35^{\circ}\text{C}$  (with the mixture ratio of coolant stock solution and water of 1:1), it is necessary to park the vehicle in areas where the coolant temperature can be maintained above  $-35^{\circ}\text{C}$ .
- If you are using your vehicle in extremely cold areas where the ambient temperature is below  $-35^{\circ}\text{C}$ , please use the coolant of appropriate proportion based on the local temperature. (Refractometer T10007 can be used to detect the freezing point of the coolant)

## Brake fluid



**If there is a significant drop in the level of the brake fluid, contact Our Service Dealer for service as soon as possible.**

**Use only new brake fluid of the specified type. Use of brake fluid which is old or not the specified type can cause loss of braking performance.**

**Brake fluid cleanliness is essential. Any dirt entering the system can cause loss of braking performance.**

**Do not allow brake fluid to contact your skin or eyes; If it does, rinse immediately with plenty of water. Keep brake fluid out of the reach of children.**

**Do not allow brake fluid flowing onto the engine, otherwise it may be ignited when the engine becomes hot, causing a fire and damage to the engine.**

**Note: Fluid used in the hydraulic clutch also comes from the brake fluid reservoir.**

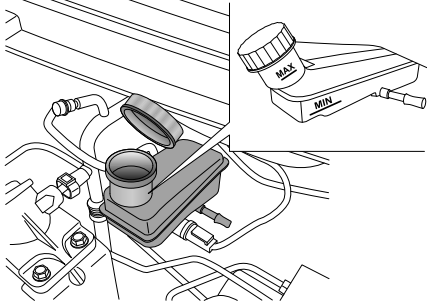
### Caution

- Only refill the brake master cylinder with brake fluid complying with specification DOT4. Do not use brake fluid of any other type.
- Brake fluid will damage the paintwork when coming in contact with it. Wipe it clean immediately and rinse with water.

# Maintenance and Service

## Check and refill

Be sure to check the brake fluid level after the vehicle is parked on a flat ground and the brake system is in cold state. Brake fluid level is visible on the reservoir and the normal level shall be between "MAX" and "MIN" marks. If the level drops to "MIN" mark, clean the area around the filler cap and then turn the reservoir cap counterclockwise to remove it. Refill with specified new brake fluid to the level between "MAX" and "MIN" marks and replace the reservoir cap.



If the level is lower than the "MIN" mark, "brake system warning light (red)" on the message center display will illuminate. This indicates a fault in the braking system, the cause must be identified immediately. If driving, IMMEDIATELY bring the vehicle carefully to a halt. Contact Our Service Dealer for service as soon as possible. Do NOT continue driving.



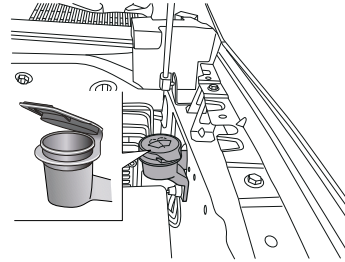
**Never discard used brake fluid casually to avoid the environment pollution.**

## Washer fluid

### Check and refill

**⚠ Driving with a non-operational washer system can be dangerous; always check it before driving.**

The windshield washer fluid reservoir is located in the engine compartment. To refill, lift the front of the filler cap to refill washer fluid and then replace it. For washer fluid specifications, see "Recommended fluids" in General Technical Parameters section.



#### Caution

Do not use washer fluid that does not comply with requirements. Do not use tap water as mineral substance in tap water will easily block windshield washer fluid pipeline or jet.

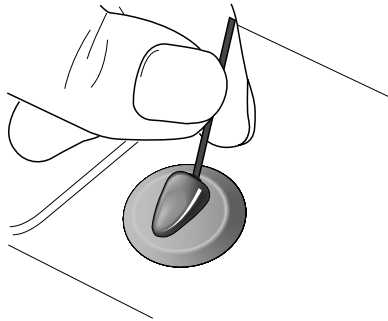
## Washer nozzle

### Adjustment and cleaning

#### Front washing nozzle

Prior to carrying out jet adjustment or cleaning, ensure that the washer reservoir is topped-up. Clean the nozzle with a thin thread or needle carefully if the nozzle is clogged.

The direction of washer jet has been set in manufacturing works and normally no adjustment is required. If any adjustment is required, carefully insert a fine needle into the jet hole to re-position the jet to direct the spray direction towards the middle of the windshield.

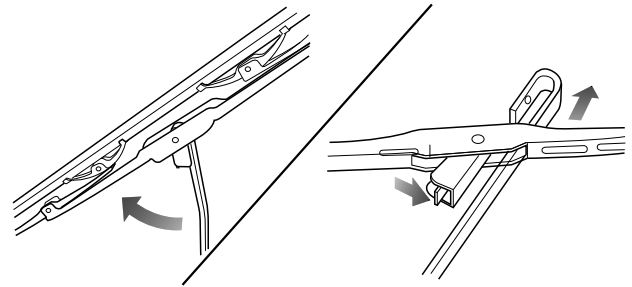


## Wiper blades

### Check

Examine the edge of the blade for roughness or damage, and check that the blade rubber is secure throughout its length.

**Note:** *Traces of grease and other impurities on the rubber can prevent the wipers from working correctly, and can also damage the windshield.*



# Maintenance and Service

---

## Replacement

### Removal

- Lift the wiper arm from the windshield, then make the blade and arm maintain at a right angle.
- Push down the retaining clip (arrow direction), then slide the blade bracket to the lower side of the arm so that the pivot on the bracket can be separated from the hook on the arm.

**Note: Remember the relative location of hook and bracket because the replacement blade is required to be fitted later in the same way.**

### Installation

- Install the blade bracket on the hook.
- Snap the pivot into the hook and push it in place, until hearing an audible sound of snapping into place.

## Maintenance and service

Wash with high-quality cleaner or neutral detergent and wipe it clean with a dry, soft cloth that is free of lint.

## Seat belts

### Check




**The belts also have a sensitive retractor which is designed to lock only during heavy acceleration, deceleration or sharp turns.**

**Do NOT attempt to test the locking device by intentionally "launching" your upper torso in a forward direction.**

Check ALL seat belts as follows:

- Inspect all belt anchorage points for safety.
- Insert the locking tab into the buckle and check for a clear locking action. Push the red button and check if the locking tab pops neatly.
- With the belt half unreeled, hold the locking tab and give it a sharp pull. Check if the safety mechanism can be locked automatically and prevent further looseness.

## Maintenance and service

 **Do not attempt to repair the retractor or buckle mechanisms, or to modify the seat belts in any way. Seat belts subjected to strain as a result of an accident shall be replaced and the anchorage points checked by Our Service Dealer.**

Regularly inspect the belt webbing for signs of abrasion or wear, paying particular attention to the anchorage points and adjusters.

Clean the seat belt with a sponge dipped with warm water and mild soap; it can be naturally dried, and should not be dried by direct heating or exposure under sunlight. Do not allow water to penetrate into the retractor. Never bleach or dye a seat belt as its strength may be reduced.

## Battery

Warnings and instructions for battery:



Wear goggles!



The battery acid is strongly corrosive. Ensure to wear protective gloves and goggles!



Open fires, electric sparks, strong lights and smoking are strictly prohibited!



Explosive gas mixture may be generated during battery recharging!



Ensure to keep any child away from the acid and the battery!



**There may be risks of injury, corrosion, accident and fire during operations on the battery and any electrical appliance in the vehicle!**

**Ensure to wear goggles. Do not allow acid or leaded particles to get into your eyes or onto your skin or clothes.**

**The acid in the battery is highly corrosive. Ensure to wear protective gloves and goggles. The battery cannot be turned over, or acid may flow out of the vent. If acid gets into your eyes, immediately rinse with clean water for a few minutes, then see a doctor**

## Maintenance and Service

---

immediately. If acid splashes onto your skin or clothes, immediately neutralize it with thick soap solution, and then rinse with plenty of water. If you drink acid by mistake, see a doctor immediately.

Open fires, electric sparks, strong lights and smoking are prohibited. When working on cables and electrical appliances and removing electrostatic loads, avoid the generation of electrical sparks. The electrodes of battery can NEVER be short-circuited, or it may cause personal injury due to large energy sparks.

Explosive gas mixture may be generated during battery recharging. The gas vent of battery should be kept unblocked to discharge the gas correctly. During recharging, the battery should be located in a space with good ventilation.

Ensure to keep any child away from the acid and the battery.

Turn off the engine, ignition switch and all electrical appliances before working on electrical appliances. Remove the negative cable of battery. When replacing bulbs, only the lights are required to be turned off.

Pay attention to the polarities of power supply. Before powering on, the matches of polarities must be checked.



The duration of each powering on should not be less than 5 seconds. Try to avoid powering on and off too frequently.

When removing the battery, please remove the negative cable before positive cable.

Before powering on the battery again, all electric appliances should be turned off. First connect the positive cable, then the negative one. Never connect the cables incorrectly - risk of fire!

Unauthorized removal and installation of battery is strictly prohibited since such operation may cause severe damage to the battery and fuse box in some cases. Please contact Our Service Dealer.

Do not disconnect the battery when the ignition switch is on or the engine is running, otherwise it may damage the electrical appliances (electrical components).

To prevent the battery housing from exposing to ultraviolet ray, do not expose the battery under the sunshine.

### Duration of storing the vehicle

If the vehicle is to be parked for an extended period of time, the static current electrical appliance (like clock, security devices) will drain the battery, and the battery has to be charged. To avoid



such case, charge the battery or disconnect the battery negative cable during the vehicle parking.

**Note: Please pay attention to the warnings & instructions for battery before working on it.**

### Caution


Ensure to turn off the ignition switch during storing, otherwise the storing duration can be reduced significantly.

### Operating in winter

There are particularly strict requirements on the vehicle battery operation in winter. In addition, the starting power provided by the battery at low temperature is only a part of that at normal temperature. Therefore, we recommend to have the vehicle battery checked by Our Service Dealer before the cold season begins, and recharge it if necessary.

If the vehicle is not used for weeks in cold season, please remove the vehicle battery and store in an ice-free room, to prevent it from freezing and damage.

### Charging the battery with ground equipment

 **Do not charge any frozen battery, there is a risk of explosion! Even if the battery has been unfrozen, there may be battery acid spilling out and cause corrosion. Any frozen battery must be replaced.**

Turn off the ignition switch and all electrical appliances before charging.

If the vehicle has been parked for a long period and cannot be started due to lack of power (general terminal voltage $\leq$ 12V), the battery must be removed from the vehicle and charged with a ground equipment (follow the instructions provided by the manufacturer of the charging equipment).

During charging with small current (e.g., a small charging equipment), it is unnecessary to remove the connecting cables of battery. However, please ensure to read the instructions from the manufacturer of the charging equipment.

Before fast charging (i.e., large current charging), both of the connecting cables must be removed.

**Note: Please pay attention to the warnings & instructions for battery before working on it. During the charging, the charging equipment can only be powered on after the electrode clamps of charging equipment is connected to the electrodes of battery as required. After the charging is finished, turn off the charging equipment first, remove the power cable, and then remove the electrode clamps of charging equipment from the battery.**

# Maintenance and Service

## Caution

- Keep any child away from the battery, battery acid and charging equipment.
- The battery can only be charged in a space with good ventilation. Smoking is prohibited, and keep away from open fires and electric sparks, as explosive gas mixture may be generated when the battery is charged.
- Protect your eyes and face, never be too close to the battery.
- If acid splashes onto your eyes or skin, immediately rinse with clean water for several minutes before seeing the doctor.
- The fast charging of the battery is dangerous, which should be done by Our Service Dealer, because it requires professional charging equipment and knowledge.
- Any frozen or unfrozen battery must be replaced. Because cracks may be found on the frozen battery housing. It may cause leak of battery acid and damage to the vehicle.

## Removing the battery

Turn off the ignition switch and all electrical appliances before the battery removal.

To remove the battery, firstly remove the negative cable and then the positive cable. And then remove the bolt on the mounting bracket of battery to remove the battery.

## Replacing the battery

The battery installed on your vehicle is designed for the corresponding mounting location. To replace the battery, please ensure to use one with the same voltage (12V), structure and safety label. The current strength and capacity should be same with the original battery. Our Service Dealer can offer you with genuine batteries.

When replacing the battery, please ensure that the ignition switch is turned off and all electric appliances are turned off.



**Concerning the disposal of used battery, it is suggested to have the battery replaced by Our Service Dealer. Additionally, the battery can never be treated as household garbage because it contains sulfuric acid and lead.**

## Installing the battery

Before installing the battery, please turn off the ignition switch and all electrical appliances. Put the battery in the installation position prepared for it, and fix it with the battery bracket. When connecting the battery, please fix the positive cable before the negative cable.

## Caution

To prevent the battery from discharging, please turn off the ignition switch when you leave the vehicle.

## Tires

**! DEFECTIVE TIRES ARE DANGEROUS! Do NOT drive your vehicle if any tire is excessively worn, damaged or inflated to an incorrect pressure.**

Frequently inspect the tires and sidewalls for any sign of distortion (bulges), cuts or wear. Gravels and other sharp objects should be removed with a suitable blunt tool. If neglected, they may work through the tire.

## Tire pressure

**! Driving with incorrectly inflated tires can affect vehicle stability, increase rolling resistance, and cause rapid tire wear and possible permanent damage to the cords of the tire casing.**

Remember tire wear and inflation pressure regulations. It is the driver's responsibility to ensure that the tires meet these requirements.

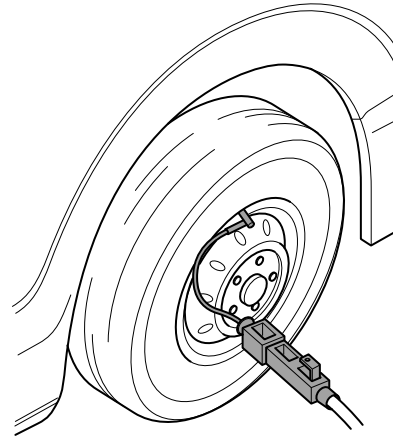
Check the tire pressures weekly, including the spare tire, and if necessary, adjust the tire pressure in accordance with pressure requirements on the tire pressure sign on the B pillar. This Handbook introduces the correct tire pressure in cold condition, see "Wheels and tires" in General Technical Parameters section.

The spare tire should be maintained at the highest recommended pressure and adjusted before use. Pressure

should be checked with an accurate Tire Pressure Gauge when the tire is cold instead of decreasing the value under warm condition as the pressure will be higher than normal pressure due to temperature. Be sure to install the valve caps to prevent dirt entry into the valve mechanism.

A natural pressure loss will occur with time; any unusual pressure loss should be investigated and rectified.

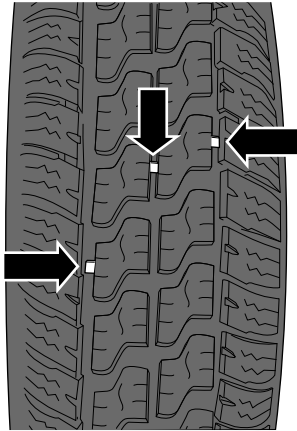
***Note: Specified pressure applies to a cold tire, while the pressure of hot tire should be higher.***



## Wear indicator

There are wear indicators in the tread of all original tires. When the tire has worn down until 1.6 mm of the tread is remaining the wear indicators will appear across the full width of the tread pattern.

A tire should be replaced immediately where any part of the wear indicator becomes visible. However it is in your interest to note that tire safety and performance tends to reduce before the legal limit is reached. For example, severely worn tires will increase the risk of slipping.

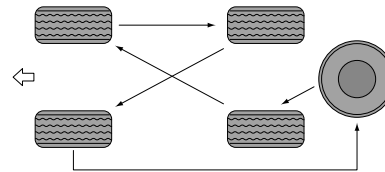


## Tire check and rotation

In order to achieve even tire wear, it is recommended to check the tires every 5,000km, and check the wheel alignment parameters under the curb weight of the entire vehicle as required. If irregular wear is found, the tires position should be changed, and wheel alignment adjustments should be made if necessary. During the tire rotation, check the tires for correct dynamic balance.

During the tire rotation, check for uneven wear and damage. Abnormal wear is usually caused by incorrect tire pressure, poor wheel alignment, poor wheel dynamic balance, emergency braking or cornering. Check the tread or the side of the tire for collision damage or bulges. If one of these conditions is found, the tire shall be replaced. If fabric or cord is visible, the tire shall also be replaced. After the tire rotation, adjust the inflation pressure of the front and rear tires as shown on the tire pressure label on the vehicle and check the tightness of the wheel nuts.

## Tire rotation method



## Other maintenance

### Vehicle wash



**When driving for the first time after washing the vehicle, gently depress the brake pedal several times to remove moisture from the brake discs.**

**Carefully wash the tires. Never use a high pressure nozzle as it may damage tires. If any damage is found, replace the tire.**

**Water flushing is prohibited in the front part of the interior (near the dashboard area) to avoid unnecessary damage to related parts.**

Careful attention to the following will help to retain the value of your vehicle:

- Clean the vehicle with cold or lukewarm water. Hot water may impair vehicle paint in extremely cold weather.
- No vehicle washing under strong direct sunlight during hot weather.
- Use special vehicle cleaner to remove grease and tar spots on vehicle body and while still wet, wash the paintwork using a soft sponge and generous quantities of water containing car shampoo. Rinse thoroughly and dry off with a chamois leather.
- When cleaning the vehicle with a hose, it is prohibited to spray the water directly to the window, the door, or the brake through the gap of the wheel.

- After cleaning, inspect the paintwork for damage and stone chips; apply touch-up paint if necessary. Use polishing wax to protect the paintwork from time to time.
- When using high pressure cleaning equipments, the water jet shall be kept moving. Do not directly wash the engine, radiator, door gap, seals, electrical components or components connected to it.

***Note: Please timely remove the substances on the surface of the paint which seem harmless but in fact corrosive, such as bird droppings, resin, insect wreckage, tar spots, road salt and industrial dust. Otherwise permanent staining or damage will be produced.***

#### Caution

It is prohibited to open the engine hood and directly rinse the engine compartment, as this may cause short circuits of electrical components in the engine compartment. Don't use steam to clean the underbody, wheelhouse or transmission portion, as this will damage the protective wax layer.

## Maintenance and Service

---

### Engine carbon deposit cleaning

In view of the quality of domestic fuel products, it is recommended to use the fuel system carbon deposit cleaner certified by SAIC Motor every 5,000 km to 10,000 km regularly. Please consult Our Service Dealer for details.

### Anti-corrosion of underbody

The underbody of your vehicle has been treated with anti-corrosion. Check underbody anti-corrosion regularly.

Use a water jet to remove accumulations of caked mud or debris on underbody. Especially in winter, when salt is used on icy and snowy roads.

### Seat and trim

Often use vacuum sweeper or soft brush to clean dirt and dust accumulated on fibers. Often use clean cloth to wipe the trim. Use special cleaner to remove general trim dust, staining or spots. Use special cleaner to clean leather parts.

### Door seals

To prevent rubber door seals from freezing in a cold weather, a rubber maintenance product or a silicone spray shall be used for its protection.

### Window glass

Often use glass cleaner to clean window glass.

The headlamp lenses are clear plastic. Use high-quality cleaner or neutral detergent rather than abrasives or chemical solvents to wash.

## **General Technical Parameters**

212 Major vehicle dimension parameters

213 Vehicle weight parameters

214 Vehicle performance parameters

215 Main engine parameters

216 Chassis technical parameters

217 Recommended fluids

218 Wheel and tire

219 Wheel alignment parameters

## General Technical Parameters

### Major vehicle dimension parameters

Product Model	SK8C-8840
Driving type	4X4, Front-engine 4WD chassis
Length of outline dimension, mm	5395
	5508(with trailer device)
Width of outline dimension, mm	1960
Height of outline dimension, mm	1835
	1870(with luggage rack)
Length of cargo bar board, mm	1485
Width of cargo bar board, mm	1510
Height of cargo bar board, mm	530
Wheel base, mm	3155
Front/Rear overhang, mm	972/1268
	972/1381(with trailer device)
Front wheel track, mm	1634
Rear wheel track, mm	1596
Minimum turning circle diameter, m	12.7



## General Technical Parameters

---

### Vehicle weight parameters

Product Model	SK8C-8840
Total Mass, kg	3250
Axle load (Front/rear axle load under total mass), kg	1365/1885
Curb weight, kg	2200
Axle load (Front/rear axle load under curb weight), kg	1285/915
Number of Seats	5

## General Technical Parameters

---

### Vehicle performance parameters

Engine type	SC20M218Q6A
Maximum design speed, km/h	170
Maximum gradeability, %	54% ( 4WD )
Emission level at delivery	Euro 6

## General Technical Parameters

### Main engine parameters

Engine type	SC20M218Q6A
Type	Common rail direct injection (CRDI) diesel engine with turbocharger and intercooler
Displacement, L	1.996
Number of cylinder	4
Bore*Stroke, mm*mm	83*92
Volume compression ratio	15.9:1
Maximum net power, KW	158.5
Engine speed at rated power, rev/min	4000
Max. torque, Nm	500
Engine speed at maximum torque, rev/min	1500 ~ 2400
Idle speed, rev/min	750±50
Fuel type and grade	Diesel
Fuel tank capacity, L	73

## General Technical Parameters

### Chassis technical parameters

Item	Parameters
Front suspension	Double wishbone independent suspension
Rear Suspension Structure	Vertical type spring non-independent suspension / Multi-link independent suspension
Form specifications of steel plate spring	Five leaf spring
Requirements for steel wheel dynamic balance	Both sides of the remaining dynamic imbalance is less than: 10 grams(main tire ) / 15 grams(spare tire)
Dynamic Balance of Aluminum Wheels	Both sides of the remaining dynamic imbalance is less than: 8 grams
Rational range of brake pedal free stroke	within 10 mm
Rational use range of brake friction pair	For single friction plate, the friction material shall remain at least 2mm The wear on each side of the brake disc shall be less than 1.5mm

## General Technical Parameters

### Recommended fluids

Item	Grade	Capacity
Engine lubricating oil, L	SAE 5W-30(PRO) ACEA C3	4.7
Engine coolant, L	D-35(-35°C)	13.5
Engine Water-air intercooler coolant, L	D-35(-35°C)	4.0
6th speed manual transmission oil, L	Fuchs MTF SAE 75W-85, Castrol BOT581, Shell MTF GJ, SK MTF 75W-85 201005	3.3(±0.1)
8th speed automatic transmission oil, L	Shell L12108	9.253
Brake fluid, L	Laike 901-4 DOT 4	0.8
Washer fluid, L	General low freezing point detergent	3.8
Air conditioning refrigerant, g	R134yf	580±30
Front axle lubricant, L	TEMPO GL-5 80W-90 SINOPEC GL5 80W-90	0.9
Rear axle lubricant, L	TEMPO GL-5 80W-90 SINOPEC GL5 80W-90	3(applicable to models with rear leaf spring) 2(applicable to models with rear five connecting rods)
Transfer case lubricant (part-time 4WD system), L	ATF-DEXRON III	1.5
Transfer case lubricant (real-time 4WD system), L	MERCON LV	1.5

## General Technical Parameters

### Wheel and tire

Item	Parameters	
Wheel Specification	18x7 1/2J	
Tire specification	265/60R18HT	
Tire pressure of front wheel(cold condition)	250kPa/2.5bar/36psi	
Tire pressure of rear wheel(cold condition)	250kPa/2.5bar/36psi	
Spare wheel specification	245/65R17	265/60R18
Tire pressure of spare wheel(cold condition)	290kPa/2.9bar/42psi	290kPa/2.9bar/42psi
Wheel nut torque	125±13N·m	

## General Technical Parameters

### Wheel alignment parameters

Item		Parameters
Front wheels	Toe-in angle	$0 \pm 0.15^\circ$ Total toe-in $\leq 0.15^\circ$
	Camber angle	$-0.117 \pm 0.5^\circ$ Difference value between left and right $\leq 0.5^\circ$
	Caster angle	$3 \pm 0.5^\circ$ Difference value between left and right $\leq 0.5^\circ$
Rear wheels	Toe-in angle	$0^\circ \pm 0.25^\circ$
	Camber angle	$0^\circ \pm 0.5^\circ$
	Thrust Angle	$0^\circ \pm 0.25^\circ$